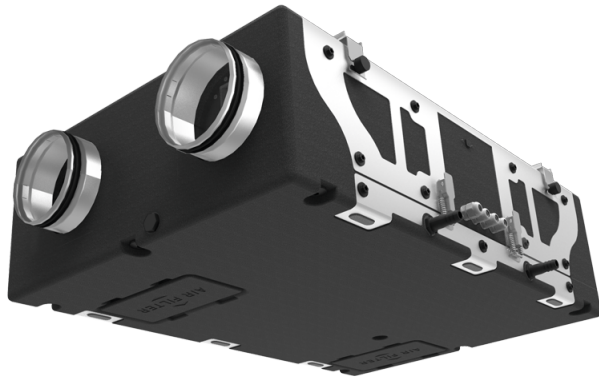






KOMFORT EC D5B 180

Heat and energy recovery air handling units



- Heat exchanger type: Counter flow
- Sound insulation
- Motor type: EC
- Bypass: Manual
- Reheater: Optional
- Preheater: Optional
- BMS protocol: ModBus
- Control: Wired control panel
- Casing material: EPP
- Humidity sensor: Optional
- Enthalpy heat exchanger

Lineup	Connected air duct size, mm	Rated power, W	Maximum airflow, m ³ /h	Service side	Control system	Reheater	Preheater	BMS protocol
 KOMFORT EC D5B 180 S21	150	87	220	Universal	S21	Optional	Optional	ModBus
 KOMFORT EC D5B 180 S14	150	87	220	Universal	S14	×	×	×
 KOMFORT EC D5B 180-E S21	150	87	220	Universal	S21	Optional	Optional	ModBus
 KOMFORT EC D5B 180-E S14	150	87	220	Universal	S14	×	×	×