



Wind 150 T

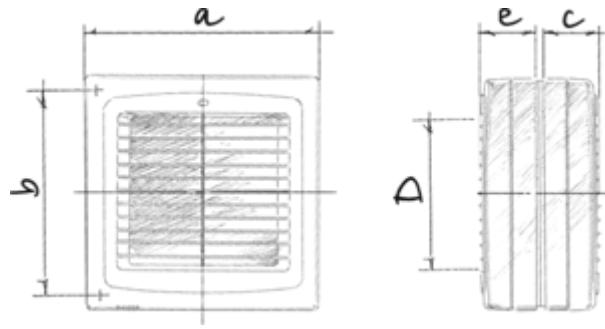
Extract fans

- Maximum airflow: 295
- Sound pressure level LpA at 3 m: 41
- Motor type: AC
- Casing material: Plastic
- Timer: Turn off timer

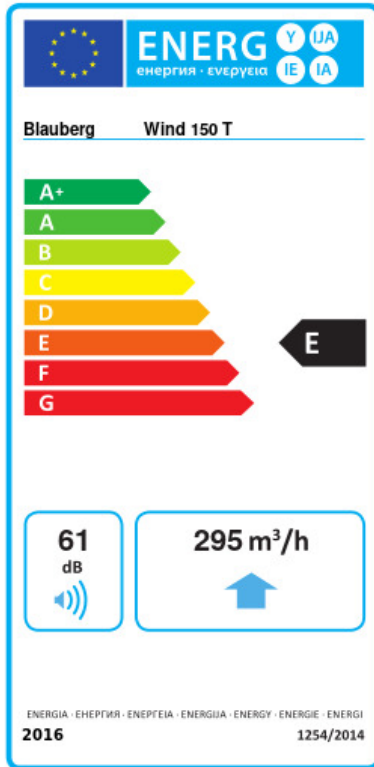
| | Unit of measurement | Wind 150 T |
|---------------------------------|---------------------|------------|
| Connected air duct size | mm | 150 |
| Speed | - | 1 |
| Minimum supply voltage | V | 220 |
| Maximum supply voltage | V | 240 |
| Power supply frequency | Hz | 50 |
| Rated power | W | 26 |
| Unit current | A | 0.13 |
| Maximum airflow | m ³ /h | 295 |
| Sound pressure level LpA at 3 m | dB(A) | 41 |
| Ingress protection rating | - | IP24 |

Dimensions

| a | b | e | c | D |
|-----|-----|----|----|-----|
| 210 | 195 | 66 | 60 | 150 |



Ecodesign



| | | | | | | |
|---|----------------|---------|-------|---|------|---|
| Trademark | Blaubeerg | | | | | |
| Model | Wind 150 T | | | | | |
| Specific energy consumption (SEC) (kWh/(m ² /a)) | Cold | Average | Warm | | | |
| | -28.9 | B | -13.9 | E | -5.3 | F |
| Type of ventilation unit | Unidirectional | | | | | |
| Type of drive installed | Multi-speed | | | | | |
| Type of heat recovery system | None | | | | | |
| Maximum flow rate (m ³ /h) | 295 | | | | | |
| Electric power input (W) | 26 | | | | | |
| Reference flow rate (m ³ /s) | 0.057 | | | | | |
| Specific power input (SPI) (W/(m ³ /h)) | 0.057 | | | | | |
| Control typology | Clock control | | | | | |
| Maximum external leakage rates (%) | 2.7 | | | | | |
| Airflow sensitivity at +20 Pa and -20 Pa (%) | 0.15 | | | | | |
| The indoor/outdoor air tightness (m ³ /h) | 1 | | | | | |
| Declared typology | RVU UVU | | | | | |
| Sound power level (dB(A)) | 61 | | | | | |
| The annual electricity consumption (AEC) (kWh/a) | Cold | Average | Warm | | | |
| | 74 | 74 | 74 | | | |
| The annual heating saved (AHS) (kWh/a) | Cold | Average | Warm | | | |
| | 3075 | 1572 | 711 | | | |