



Wind 150

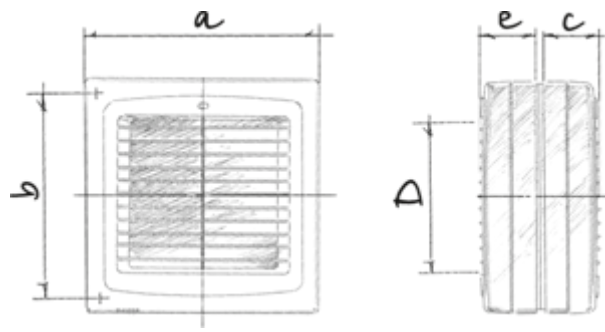
Extract fans

- Maximum airflow: 295
- Sound pressure level LpA at 3 m: 41
- Motor type: AC
- Casing material: Plastic

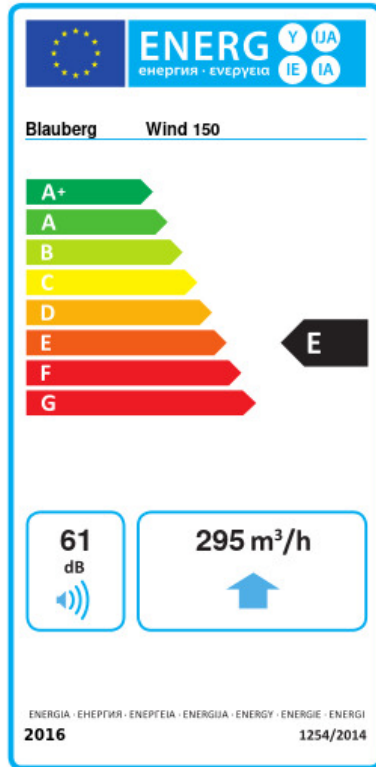
	Unit of measurement	Wind 150
Connected air duct size	mm	150
Speed	-	1
Minimum supply voltage	V	220
Maximum supply voltage	V	240
Power supply frequency	Hz	50
Unit current	A	0.13
Maximum airflow	m ³ /h	295
Sound pressure level LpA at 3 m	dB(A)	41
Ingress protection rating	-	IP24

Dimensions

a	b	e	c	D
210	195	66	60	150



Ecodesign



Trademark	Blaubeerg					
Model	Wind 150					
Specific energy consumption (SEC) (kWh/(m ² /a))	Cold	Average	Warm			
	-33.6	B	-17.2	E	-7.8	F
Type of ventilation unit	Unidirectional					
Type of drive installed	Multi-speed					
Type of heat recovery system	None					
Maximum flow rate (m ³ /h)	295					
Electric power input (W)	26					
Reference flow rate (m ³ /s)	0.057					
Specific power input (SPI) (W/(m ³ /h))	0.057					
Control typology	Manual control					
Maximum external leakage rates (%)	2.7					
Airflow sensitivity at +20 Pa and -20 Pa (%)	0.15					
The indoor/outdoor air tightness (m ³ /h)	1					
Declared typology	RVU UVU					
Sound power level (dB(A))	61					
The annual heating saved (AHS) (kWh/a)	Cold	Average	Warm			
	3355	1715	776			