



## Wind 125 S

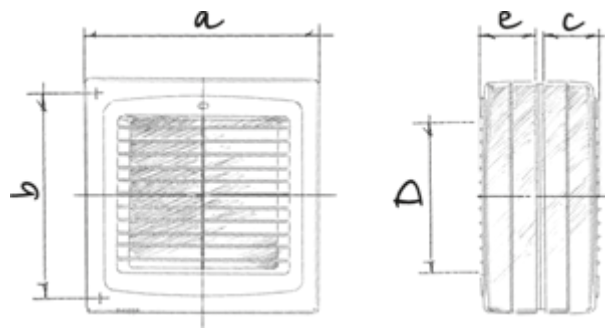
Extract fans

- Maximum airflow: 185
- Sound pressure level LpA at 3 m: 35
- Motor type: AC
- Casing material: Plastic
- Pull cord

	Unit of measurement	Wind 125 S
Connected air duct size	mm	125
Speed	-	1
Minimum supply voltage	V	220
Maximum supply voltage	V	240
Power supply frequency	Hz	50
Rated power	W	22
Unit current	A	0.1
Maximum airflow	m <sup>3</sup> /h	185
Sound pressure level LpA at 3 m	dB(A)	35
Ingress protection rating	-	IP24

### Dimensions

a	b	e	c	D
186	173	60	53	125



## Ecodesign



Trademark	Blauberg					
Model	Wind 125 S					
Specific energy consumption (SEC) (kWh/(m <sup>2</sup> /a))	Cold		Average		Warm	
	0	B	0	E	0	F
Type of ventilation unit	Unidirectional					
Type of drive installed	Multi-speed					
Type of heat recovery system	None					
Maximum flow rate (m <sup>3</sup> /h)	0					
Electric power input (W)	0					
Reference flow rate (m <sup>3</sup> /s)	0					
Specific power input (SPI) (W/(m <sup>3</sup> /h))	0					
Control typology	Manual control					
Maximum external leakage rates (%)	0					
Airflow sensitivity at +20 Pa and -20 Pa (%)	0					
The indoor/outdoor air tightness (m <sup>3</sup> /h)	0					
Sound power level (dB(A))	0					
Declared typology	RVU UVU					
The annual heating saved (AHS) (kWh/a)	Cold		Average		Warm	
	0		0		0	