



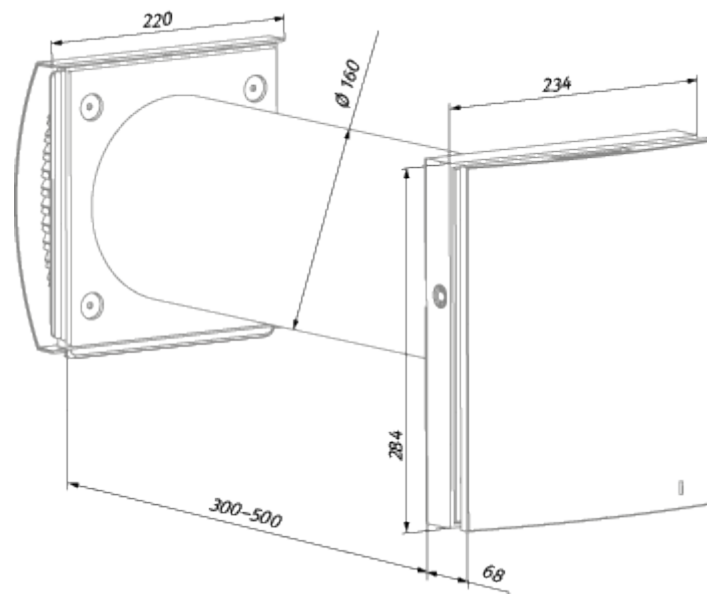
VENTO Expert Duo A30-1 S10 Pro

Heat recovery single-room units

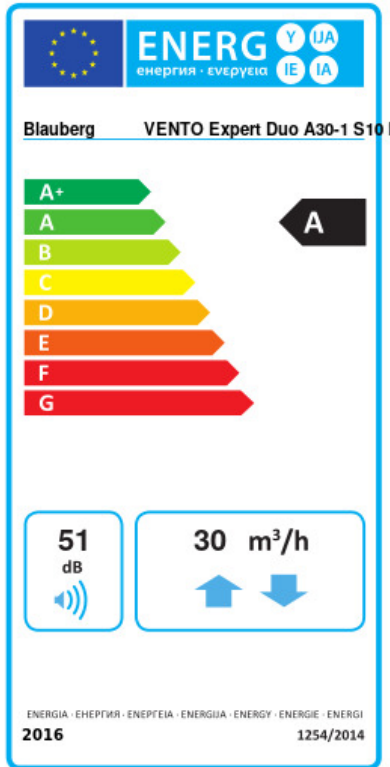
- Maximum airflow: 30
- Sound pressure level LpA at 3 m: 34
- Sound pressure level LpA at 1 m: 43
- Filter: G3
- Motor type: EC
- Enthalpy heat exchanger
- Control: Remote Control

	Unit of measurement	VENTO Expert Duo A30-1 S10 Pro		
Connected air duct size	mm	160		
Speed	-	3		
Phases	-	1		
Minimum supply voltage	V	100		
Maximum supply voltage	V	240		
Power supply frequency	Hz	50/60		
Rated power	W	2	3.7	6.4
Unit current	A	0.027	0.043	0.067
Maximum airflow	m ³ /h	10	20	30
rotation speed at 50hz	-	1600	2200	2500
Sound pressure level LpA at 3 m	dB(A)	24	31	34
Sound pressure level LpA at 1 m	dB(A)	33	40	43
Heat recovery efficiency, max	%	85		
Heat exchanger material	-	Ceramic		
Filter	-	G3		
Transported air temperature (max)	°C	40		
Transported air temperature (min)	°C	-15		
Ingress protection rating	-	IP24		

Dimensions



Ecodesign



Trademark	Blauberg		
Model	VENTO Expert Duo A30-1 S10 Pro		
Specific energy consumption (SEC) (kWh/(m ² /a))	Cold	Average	Warm
	-80.9	A+	-39.7 A -16.1 E
Type of ventilation unit	Bidirectional		
Type of drive installed	3-speed		
Type of heat recovery system	Regenerative		
Thermal efficiency of heat recovery (%)	74		
Maximum flow rate (m ³ /h)	30		
Electric power input (W)	6.4		
Reference flow rate (m ³ /s)	0.006		
Specific power input (SPI) (W/(m ³ /h))	0.185		
Control typology	Local demand control		
Mixing rate (%)	1		
Airflow sensitivity at +20 Pa and -20 Pa (%)	0.37		
The indoor/outdoor air tightness (m ³ /h)	5.2		
Sound power level (dB(A))	51		
Declared typology	RVU BVU		
The annual electricity consumption (AEC) (kWh/a)	Cold	Average	Warm
	134	134	134

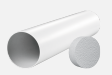
Accessories

Hoods

Name	Photo	Description
PP 160/0.5		The outer hood is designed to prevent the ingress of water and large objects into the ventilation equipment from outside

Other accessories



Name	Photo	Description
R 160-500		Air duct 160 mm and polystyrene foam plug

R 160-700		Air duct 160 mm and polystyrene foam plug
-----------	---	---

Other accessories

Name	Photo	Description
FB Vento Expert A50		Remote control

CO2 sensors

Name	Photo	Description
CD-1		CO2 sensors
CD-2		CO2 sensors