



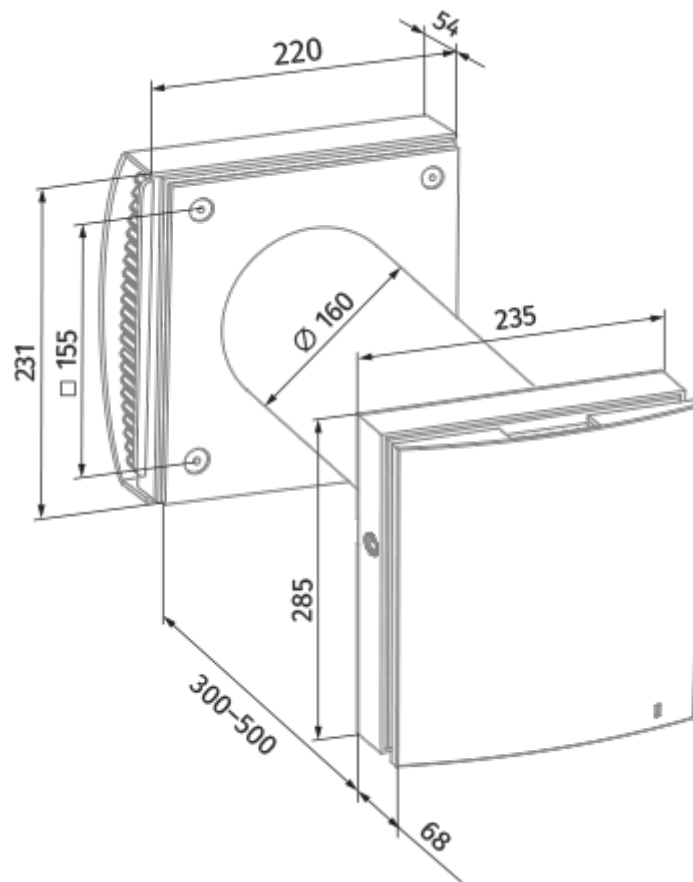
# VENTO Expert A50-1 W V.3

Single-room heat recovery unit

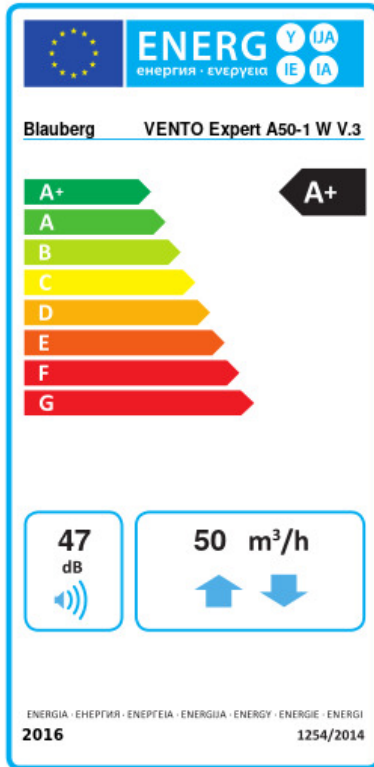
- Air flow in heat recovery mode: 8
- Sound pressure level LpA at 3 m: 28
- Sound pressure level LpA at 1 m: 37
- Heat exchanger type: Reversible
- Sound insulation
- Motor type: EC
- Control: Remote Control
- Casing material: Plastic
- Humidity sensor: Optional
- CO2 sensor: Optional
- VOC sensor: Optional
- PM2.5 sensor: Optional

	Unit of measurement	VENTO Expert A50-1 W V.3		
Speed	-	3		
Minimum supply voltage	V	100		
Maximum supply voltage	V	240		
Power supply frequency	Hz	50/60		
Rated power	W	5.00	6.00	8.50
Unit current	A	0.035	0.040	0.059
Air flow in ventilation mode	m <sup>3</sup> /h	15		
Air flow in heat recovery mode	m <sup>3</sup> /h	8		
Sound pressure level LpA at 3 m	dB(A)	4	16	28
Sound pressure level LpA at 1 m	dB(A)	13	25	37
Heat recovery efficiency, max	%	95		
Heat exchanger type	-	Reversible		
Transported air temperature (max)	°C	40		
Transported air temperature (min)	°C	-20		
Ambient air temperature min	°C	1		
Ambient air temperature max	°C	40		
Ambient air humidity max	%	65		
Ingress protection rating	-	IP24		

## Dimensions



## Ecodesign



Trademark	Blauberg					
Model	VENTO Expert A50-1 W V.3					
Specific energy consumption (SEC) (kWh/(m <sup>2</sup> /a))	Cold		Average		Warm	
	-86.3	A+	-42.8	A+	-17.9	E
Type of ventilation unit	Bidirectional					
Type of drive installed	Variable speed					
Type of heat recovery system	Regenerative					
Thermal efficiency of heat recovery (%)	85					
Maximum flow rate (m <sup>3</sup> /h)	50					
Electric power input (W)	8.5					
Reference flow rate (m <sup>3</sup> /s)	0.01					
Specific power input (SPI) (W/(m <sup>3</sup> /h))	0.186					
Control typology	Local demand control					
Airflow sensitivity at +20 Pa and -20 Pa (%)	0.3					
The indoor/outdoor air tightness (m <sup>3</sup> /h)	4					
Declared typology	RVU BVU					
Sound power level (dB(A))	47					
The annual electricity consumption (AEC) (kWh/a)	Cold		Average		Warm	
	108		108		108	
The annual heating saved (AHS) (kWh/a)	Cold		Average		Warm	
	89		46		21	


## Accessories

### Control Panels

Name	Photo	Description
<a href="#">SE Vento Expert W</a>		Control panel

### CO2 sensors

Name	Photo	Description
------	-------	-------------

<a href="#">CD-1</a>		CO2 sensors
<a href="#">CD-2</a>		CO2 sensors