



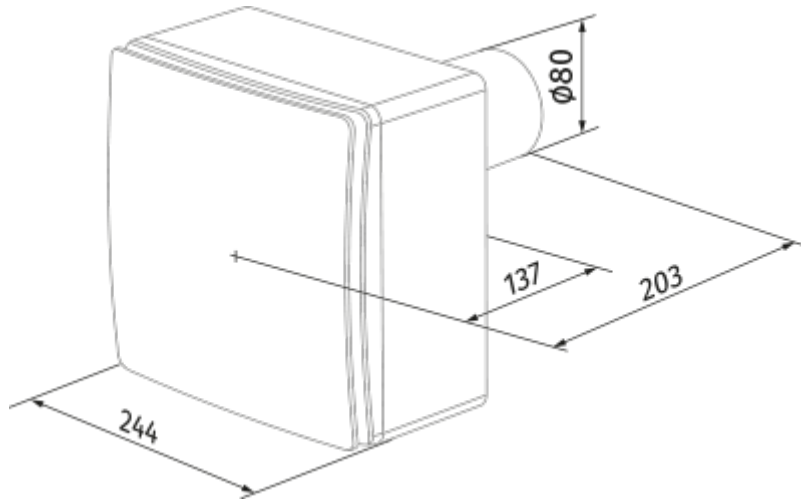
# Valeo-E 75/100 K H

Mono-pipe ventilation exhaust centrifugal fans

- Maximum airflow: 100
- Sound pressure level LpA at 3 m: 38
- Control: Wired control panel
- Casing material: Plastic
- Backdraft protection: Backdraft damper
- Humidity sensor: Built-in


|                                 | Unit of measurement | Valeo-E 75/100 K H |      |
|---------------------------------|---------------------|--------------------|------|
| Connected air duct size         | mm                  | 80                 |      |
| Speed                           | -                   | 2                  |      |
| Minimum supply voltage          | V                   | 220                |      |
| Maximum supply voltage          | V                   | 240                |      |
| Power supply frequency          | Hz                  | 50                 |      |
| Rated power                     | W                   | 24                 | 29   |
| Unit current                    | A                   | 0.11               | 0.13 |
| Maximum airflow                 | m <sup>3</sup> /h   | 75                 | 100  |
| Sound pressure level LpA at 3 m | dB(A)               | 29                 | 38   |
| Weight                          | kg                  | 2.7                |      |
| Ambient air temperature min     | °C                  | 1                  |      |
| Ambient air temperature max     | °C                  | 40                 |      |
| Ingress protection rating       | -                   | IP55               |      |

## Dimensions



## Accessories

### Other accessories

| Name                    | Photo  | Description        |
|-------------------------|--|--------------------|
| <a href="#">CDP-3/5</a> |  | Multi-speed switch |