



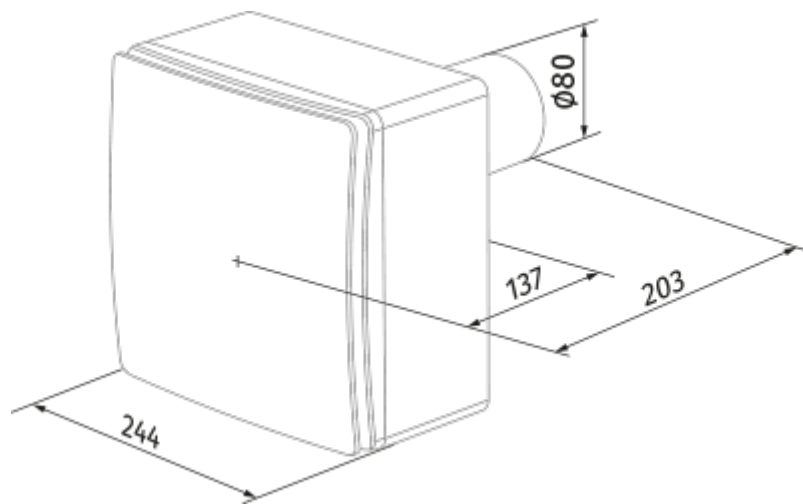
## Valeo-E 35/60 I

Mono-pipe ventilation exhaust centrifugal fans

- Maximum airflow: 63
- Sound pressure level LpA at 3 m: 36
- Control: Wired control panel
- Casing material: Plastic
- Backdraft protection: Backdraft damper

|                                 | Unit of measurement | Valeo-E 35/60 I |      |
|---------------------------------|---------------------|-----------------|------|
| Connected air duct size         | mm                  | 80              |      |
| Speed                           | -                   | 2               |      |
| Minimum supply voltage          | V                   | 220             |      |
| Maximum supply voltage          | V                   | 240             |      |
| Power supply frequency          | Hz                  | 50              |      |
| Rated power                     | W                   | 15              | 25   |
| Unit current                    | A                   | 0.12            | 0.14 |
| Maximum airflow                 | m <sup>3</sup> /h   | 35              | 63   |
| Sound pressure level LpA at 3 m | dB(A)               | 27              | 36   |
| Weight                          | kg                  | 2.7             |      |
| Ambient air temperature min     | °C                  | 1               |      |
| Ambient air temperature max     | °C                  | 40              |      |
| Ingress protection rating       | -                   | IP55            |      |

### Dimensions




## Ecodesign



|   |                 |   |         |   |      |   |
|---|-----------------|---|---------|---|------|---|
| Trademark   | Blauberg        |   |         |   |      |   |
| Model   | Valeo-E 35/60 I |   |         |   |      |   |
| Specific energy consumption (SEC) (kWh/(m <sup>2</sup> /a)) | Cold            |   | Average |   | Warm |   |
|   | -24             | C | -6.1    | F | 4.1  | G |
| Type of ventilation unit                                    | Unidirectional  |   |         |   |      |   |
| Type of drive installed                                     | 2-speed         |   |         |   |      |   |
| Type of heat recovery system                                | None            |   |         |   |      |   |
| Maximum flow rate (m <sup>3</sup> /h)                       | 63              |   |         |   |      |   |
| Electric power input (W)                                    | 25              |   |         |   |      |   |
| Reference flow rate (m <sup>3</sup> /s)                     | 0.01            |   |         |   |      |   |
| Reference pressure difference (Pa)                          | 50              |   |         |   |      |   |
| Specific power input (SPI) (W/(m <sup>3</sup> /h))          | 0.429           |   |         |   |      |   |
| Control typology  | Clock control   |   |         |   |      |   |
| Maximum external leakage rates (%)                          | 2.7             |   |         |   |      |   |
| Declared typology   | RVU UVU         |   |         |   |      |   |
| Sound power level (dB(A))                                   | 47              |   |         |   |      |   |
| The annual electricity consumption (AEC) (kWh/a)            | Cold            |   | Average |   | Warm |   |
|   | 505             |   | 505     |   | 505  |   |
| The annual heating saved (AHS) (kWh/a)                      | Cold            |   | Average |   | Warm |   |
|   | 3667            |   | 1874    |   | 848  |   |

## Accessories

### Speed control switches

| Name                    | Photo   | Description        |
|-------------------------|---|--------------------|
| <a href="#">CDP-3/5</a> |  | Multi-speed switch |