



# Valeo-BFR 75/100

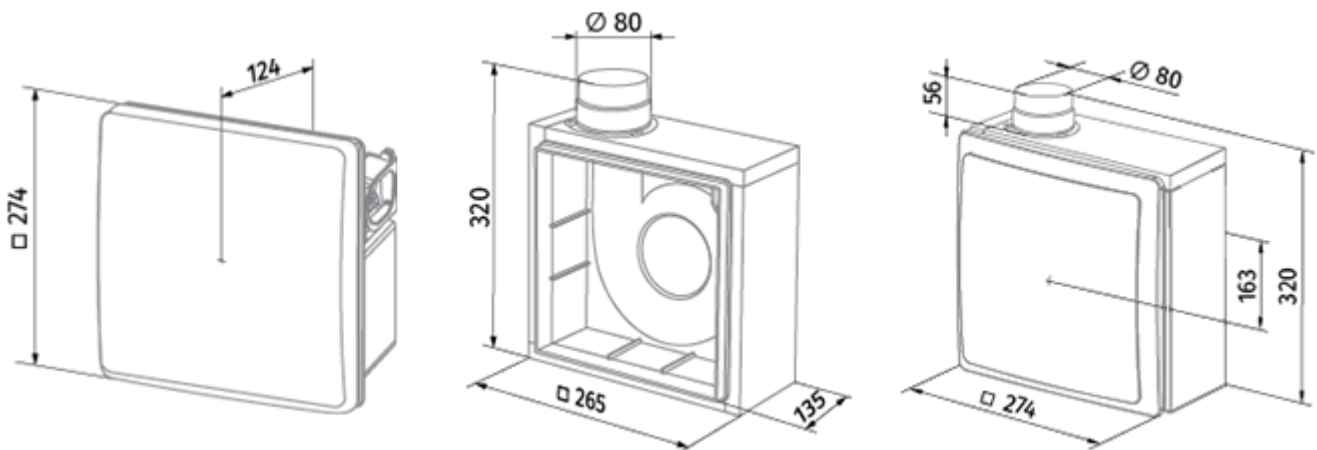
## I

Mono-pipe ventilation exhaust centrifugal fans

- Maximum airflow: 100
- Sound pressure level LpA at 3 m: 38
- Control: Wired control panel
- Casing material: Plastic
- Backdraft protection: Backdraft damper
- Humidity sensor: Built-in


	Unit of measurement	Valeo-BFR 75/100 I	
Connected air duct size	mm	80	
Speed	-	2	
Minimum supply voltage	V	220	
Maximum supply voltage	V	240	
Power supply frequency	Hz	50	
Rated power	W	24	29
Unit current	A	0.11	0.13
Maximum airflow	m <sup>3</sup> /h	75	100
Sound pressure level LpA at 3 m	dB(A)	29	38
Weight	kg	2.7	
Ambient air temperature min	°C	1	
Ambient air temperature max	°C	40	
Ingress protection rating	-	IP55	

## Dimensions



## Accessories

### Speed control switches

Name	Photo	Description
<a href="#">CDP-3/5</a>		Multi-speed switch