



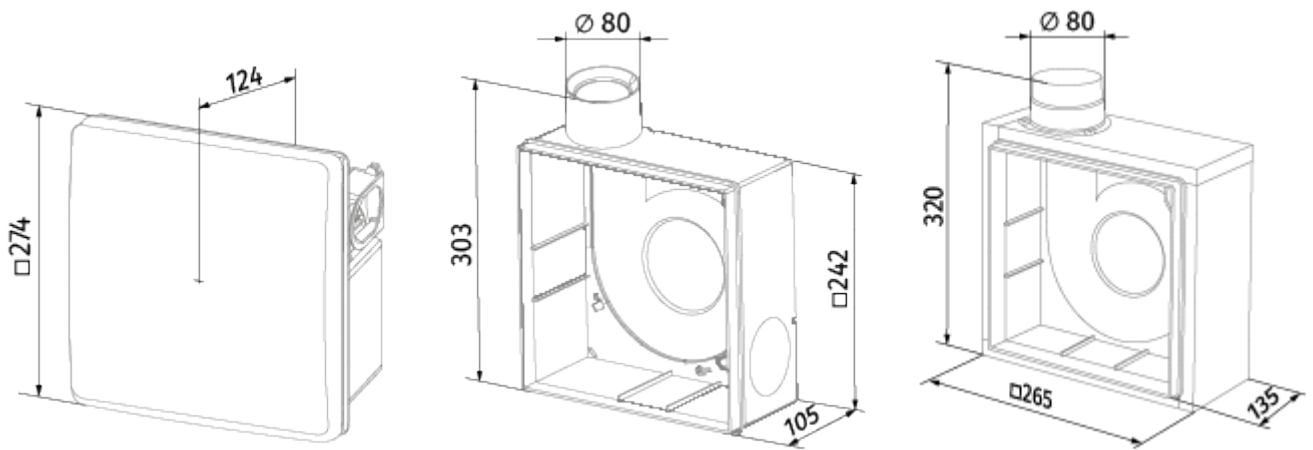
Valeo 35/60 TR

Mono-pipe ventilation exhaust centrifugal units

- Maximum airflow: 63
- Sound pressure level LpA at 3 m: 36
- Control: Wired control panel
- Casing material: Plastic
- Backdraft protection: Backdraft damper
- Timer: Built-in

| | Unit of measurement | Valeo 35/60 TR | |
|---------------------------------|---------------------|----------------|------|
| Connected air duct size | mm | 80 | |
| Speed | - | 2 | |
| Minimum supply voltage | V | 220 | |
| Maximum supply voltage | V | 240 | |
| Power supply frequency | Hz | 50 | |
| Rated power | W | 15 | 25 |
| Unit current | A | 0.12 | 0.14 |
| Maximum airflow | m ³ /h | 35 | 63 |
| Sound pressure level LpA at 3 m | dB(A) | 27 | 36 |
| Weight | kg | 2.7 | |
| Ambient air temperature min | °C | 1 | |
| Ambient air temperature max | °C | 40 | |
| Ingress protection rating | - | IP55 | |

Dimensions



Ecodesign



| | | | | | | |
|---|----------------|---|---------|---|------|---|
| Trademark | Blauberg | | | | | |
| Model | Valeo 35/60 TR | | | | | |
| Specific energy consumption (SEC) (kWh/(m ² /a)) | Cold | | Average | | Warm | |
| | -24 | C | -6.1 | F | 4.1 | G |
| Type of ventilation unit | Unidirectional | | | | | |
| Type of drive installed | 2-speed | | | | | |
| Type of heat recovery system | None | | | | | |
| Maximum flow rate (m ³ /h) | 63 | | | | | |
| Electric power input (W) | 25 | | | | | |
| Reference flow rate (m ³ /s) | 0.01 | | | | | |
| Reference pressure difference (Pa) | 52 | | | | | |
| Specific power input (SPI) (W/(m ³ /h)) | 0.429 | | | | | |
| Control typology | Clock control | | | | | |
| Maximum external leakage rates (%) | 2.7 | | | | | |
| Declared typology | RVU UVU | | | | | |
| Sound power level (dB(A)) | 47 | | | | | |
| The annual electricity consumption (AEC) (kWh/a) | Cold | | Average | | Warm | |
| | 505 | | 505 | | 505 | |
| The annual heating saved (AHS) (kWh/a) | Cold | | Average | | Warm | |
| | 3667 | | 1874 | | 848 | |

Accessories

Speed control switches

| Name | Photo | Description |
|-------------------------|---|--------------------|
| CDP-3/5 |  | Multi-speed switch |