

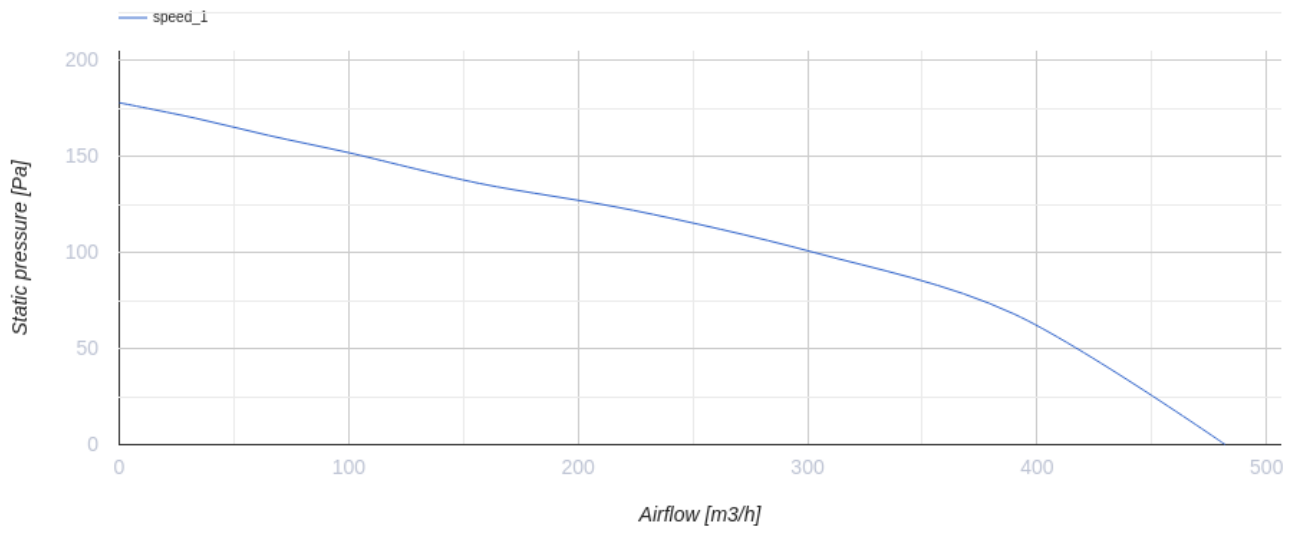


Ultra 250 Round T

Centrifugal exhaust low-noise and low-energy fans for ceiling mounting

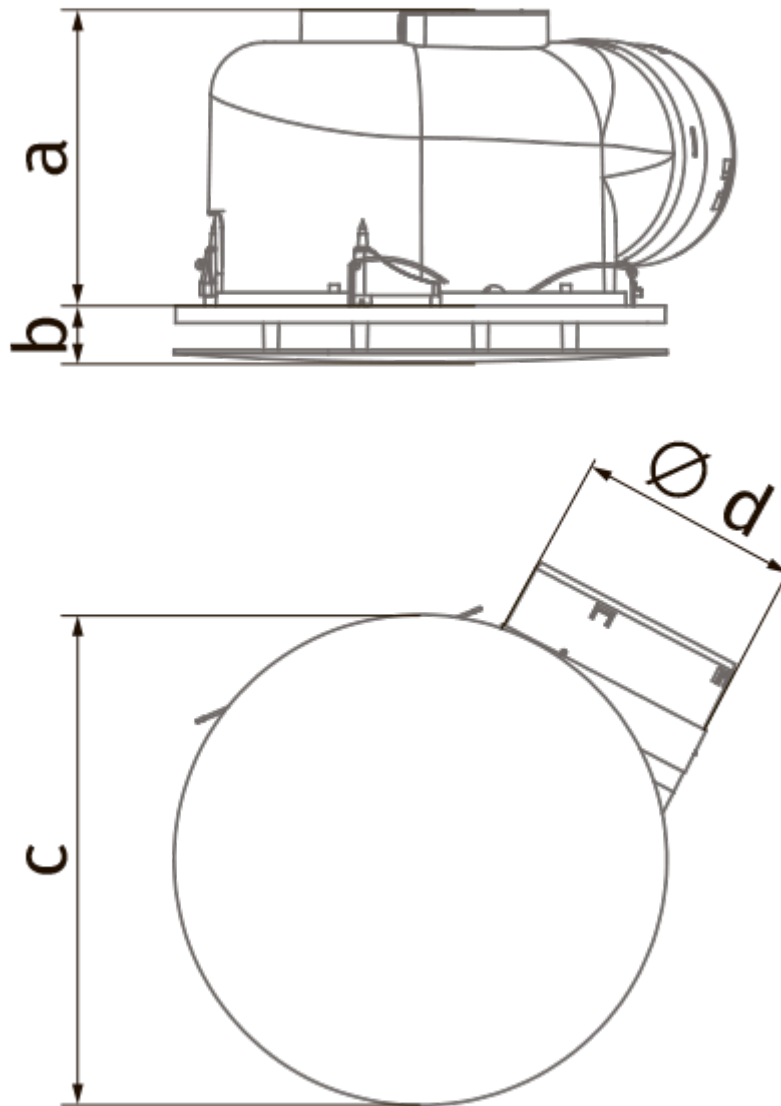
- Maximum airflow: 482
- Sound pressure level LpA at 3 m: 36
- Casing material: Plastic
- Backdraft protection: Backdraft damper
- Timer: Turn off timer

	Unit of measurement	Ultra 250 Round T
Connected air duct size	mm	150
Speed	-	1
Minimum supply voltage	V	220
Maximum supply voltage	V	240
Power supply frequency	Hz	50
Rated power	W	57
Unit current	A	0.25
Maximum airflow	m ³ /h	482
rotation speed at 50hz	-	1085
Sound pressure level LpA at 3 m	dB(A)	36
Ambient air temperature min	°C	0
Ambient air temperature max	°C	0
Ingress protection rating	-	IPX4




Dimensions

a	b	c	Ø d
198	38	330	148



Accessories

Other accessories

Name	Photo	Description
CDT E1.8		Thyristor speed controller