

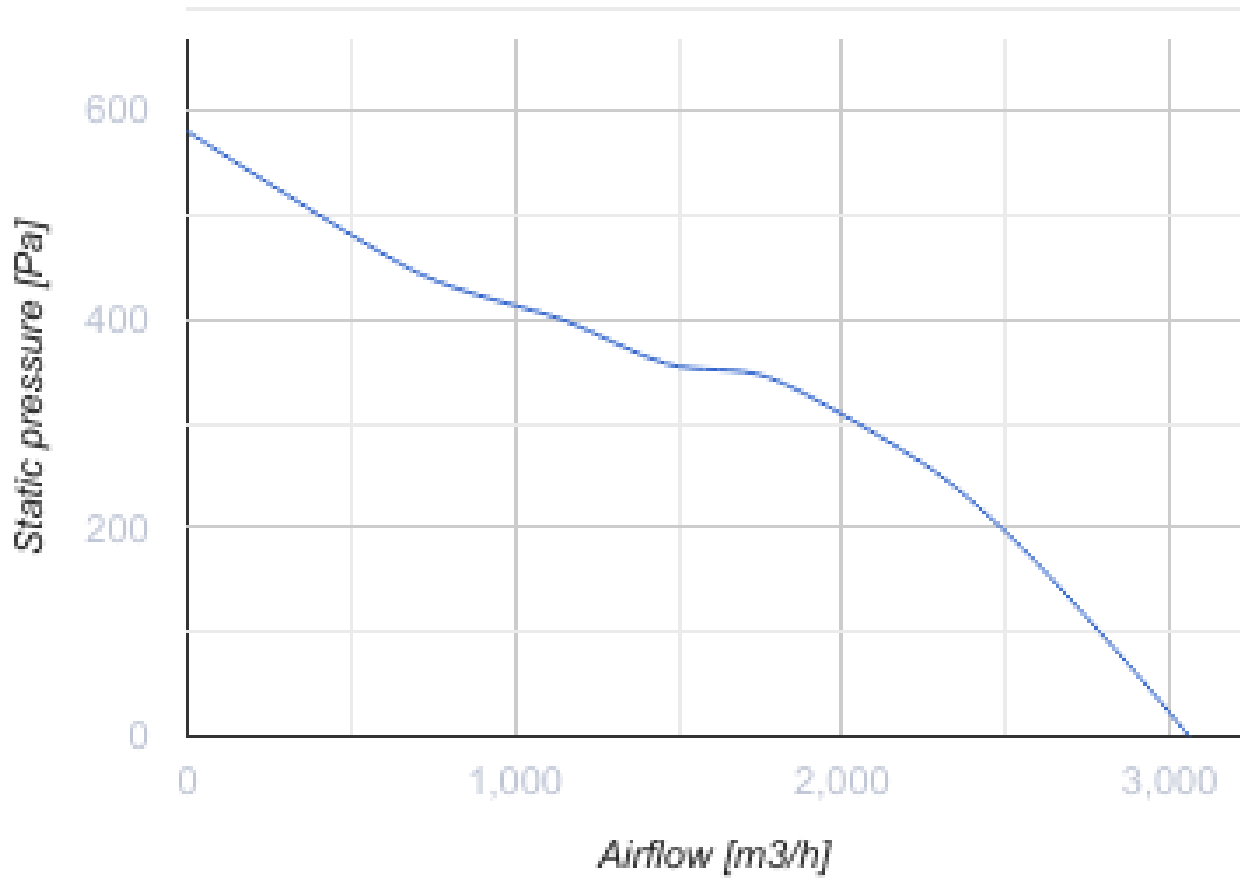
TwinBox EC 355

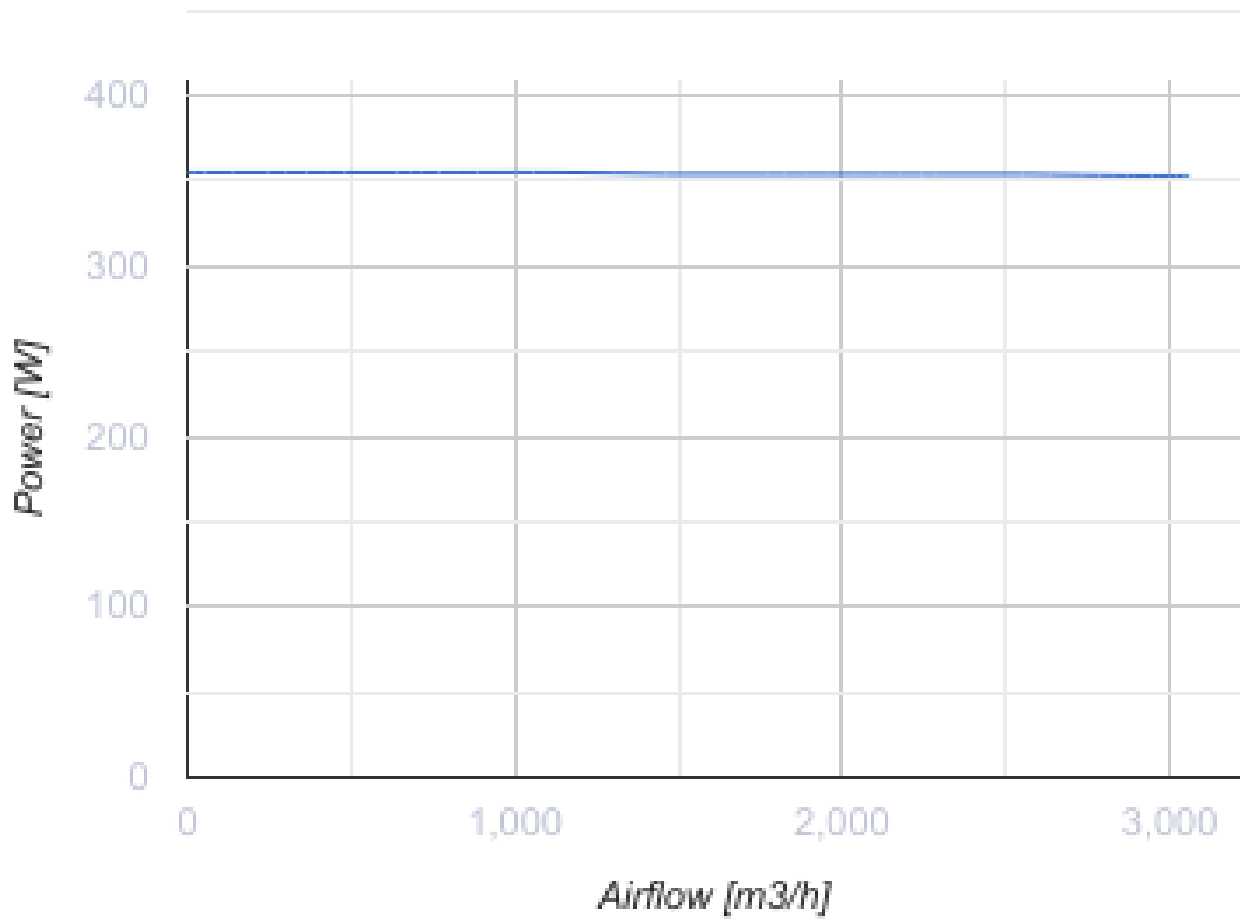
Duct mixed-type fans in sound-insulated casing



- Maximum airflow: 3060
- Sound pressure level LpA at 3 m: 45
- Sound insulation
- Motor type: EC
- Impeller type: Mixed-flow
- Casing material: Galvanized steel

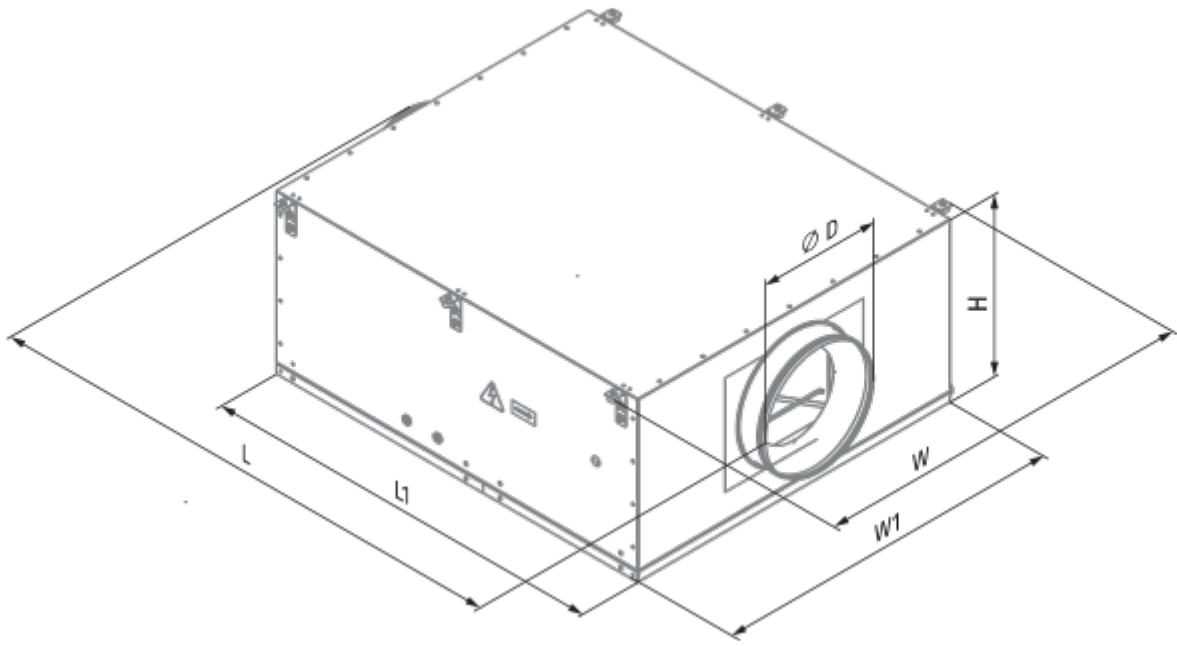
| | Unit of measurement | TwinBox EC 355 |
|--|---------------------|----------------|
| Connected air duct size | mm | 355 |
| Speed | - | 1 |
| Minimum supply voltage | V | 220 |
| Maximum supply voltage | V | 240 |
| Power supply frequency | Hz | 50/60 |
| Rated power | W | 354 |
| Unit current | A | 1.57 |
| Maximum airflow | m ³ /h | 3060 |
| Sound pressure level LpA at 3 m | dB(A) | 45 |
| Weight | kg | 97 |
| Transported air temperature (max) | °C | 55 |
| Transported air temperature (min) | °C | -25 |
| Ingress protection rating | - | IPX4 |
| Ingress protection rating of the drive | - | IP44 |





Dimensions

| Ø D | L | L1 | H | W | W1 |
|-----|------|------|-----|------|------|
| 354 | 1334 | 1170 | 520 | 1092 | 1010 |



Ecodesign

| | |
|---------------------------------------|---------------------|
| Trademark | Blauberg |
| Model | TwinBox EC 355 |
| Type of drive installed | External MSD or VSD |
| Type of heat recovery system | None |
| Nominal flow rate (m ³ /s) | 0.634 |
| Nominal external pressure (Pa) | 254 |
| Maximum external leakage rates (%) | 2.7 |
| Static efficiency (%) | 46.4 |
| Effective electric power input (kW) | 0.354 |
| Sound power level (dB(A)) | 65 |
| Declared typology | NRVU UVU |