

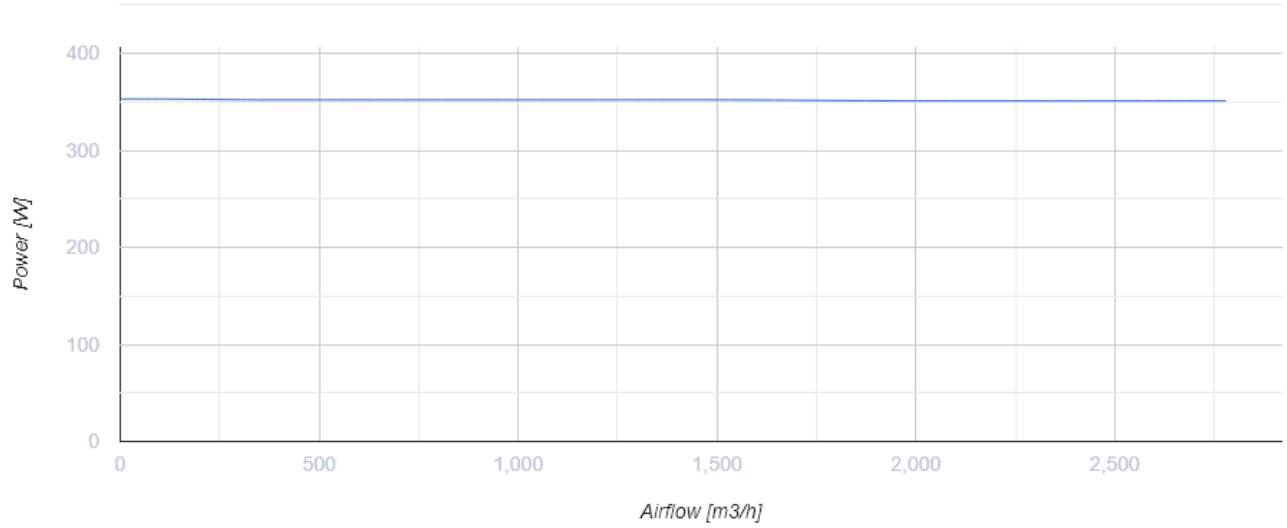
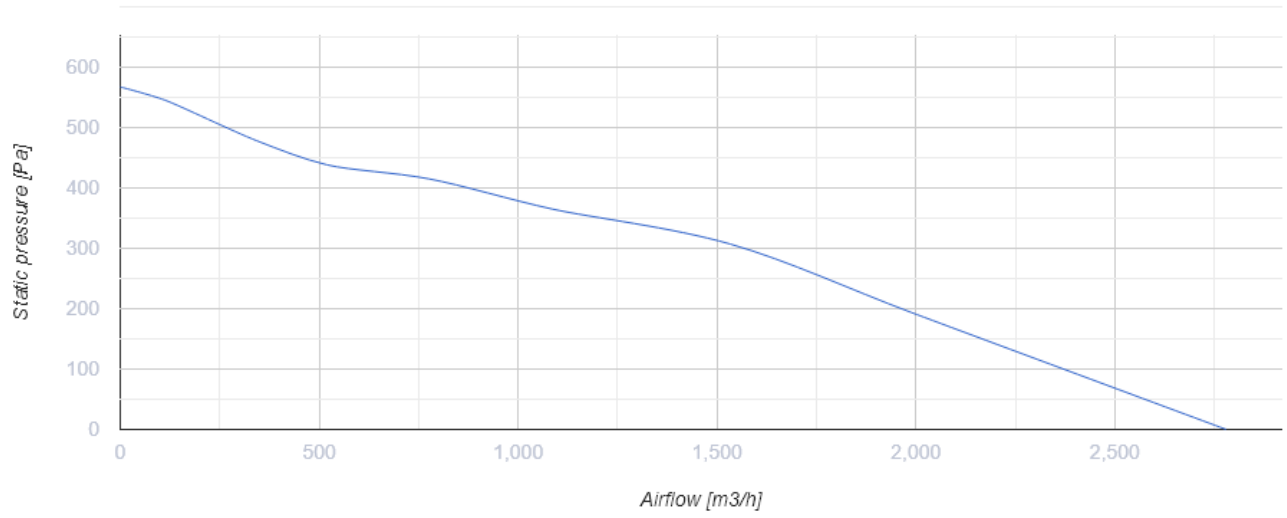
# TwinBox EC 315

Duct mixed-type fans in sound-insulated casing



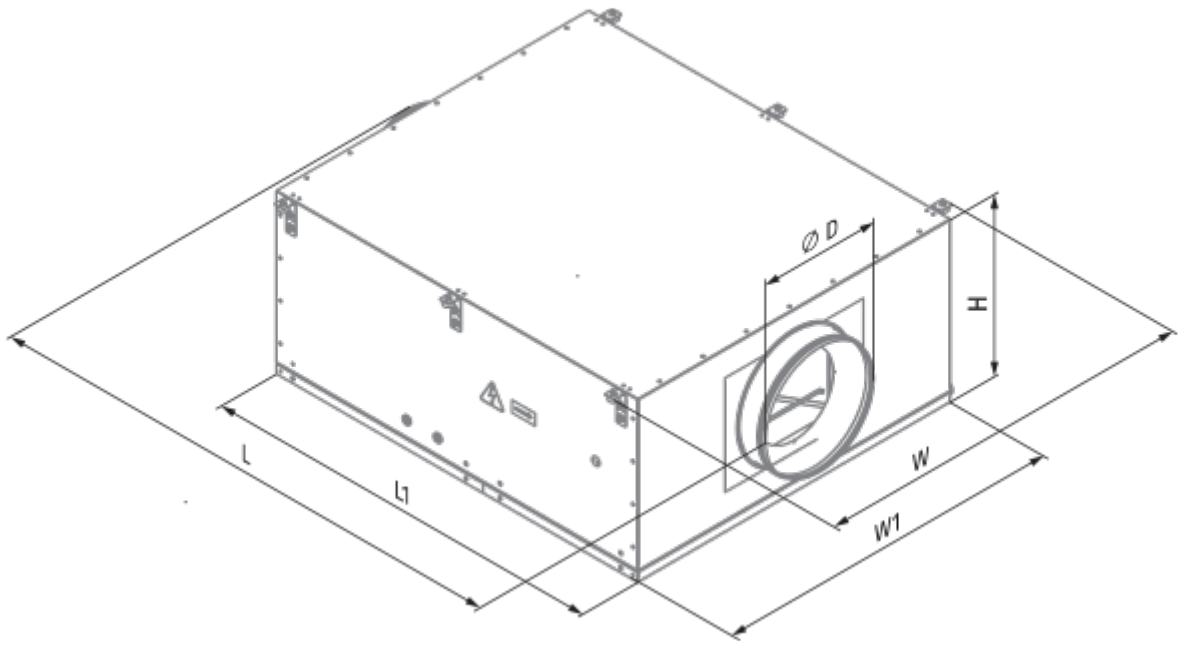
- Maximum airflow: 2780
- Sound pressure level LpA at 3 m: 45
- Sound insulation
- Motor type: EC
- Impeller type: Mixed-flow
- Casing material: Galvanized steel

	Unit of measurement	TwinBox EC 315
Connected air duct size	mm	315
Speed	-	1
Minimum supply voltage	V	220
Maximum supply voltage	V	240
Power supply frequency	Hz	50/60
Rated power	W	535
Unit current	A	1.56
Maximum airflow	m <sup>3</sup> /h	2780
Sound pressure level LpA at 3 m	dB(A)	45
Weight	kg	97
Transported air temperature (max)	°C	55
Transported air temperature (min)	°C	-25
Ingress protection rating	-	IPX4
Ingress protection rating of the drive	-	IP54



## Dimensions

Ø D	L	L1	H	W	W1
314	1293	1170	520	1092	1010



## Ecodesign

Trademark	Blauberg
Model	TwinBox EC 315
Type of drive installed	External MSD or VSD
Type of heat recovery system	None
Nominal flow rate (m <sup>3</sup> /s)	0.426
Nominal external pressure (Pa)	307
Maximum external leakage rates (%)	2.7
Static efficiency (%)	37.9
Effective electric power input (kW)	0.352
Sound power level (dB(A))	65
Declared typology	NRVU UVU