

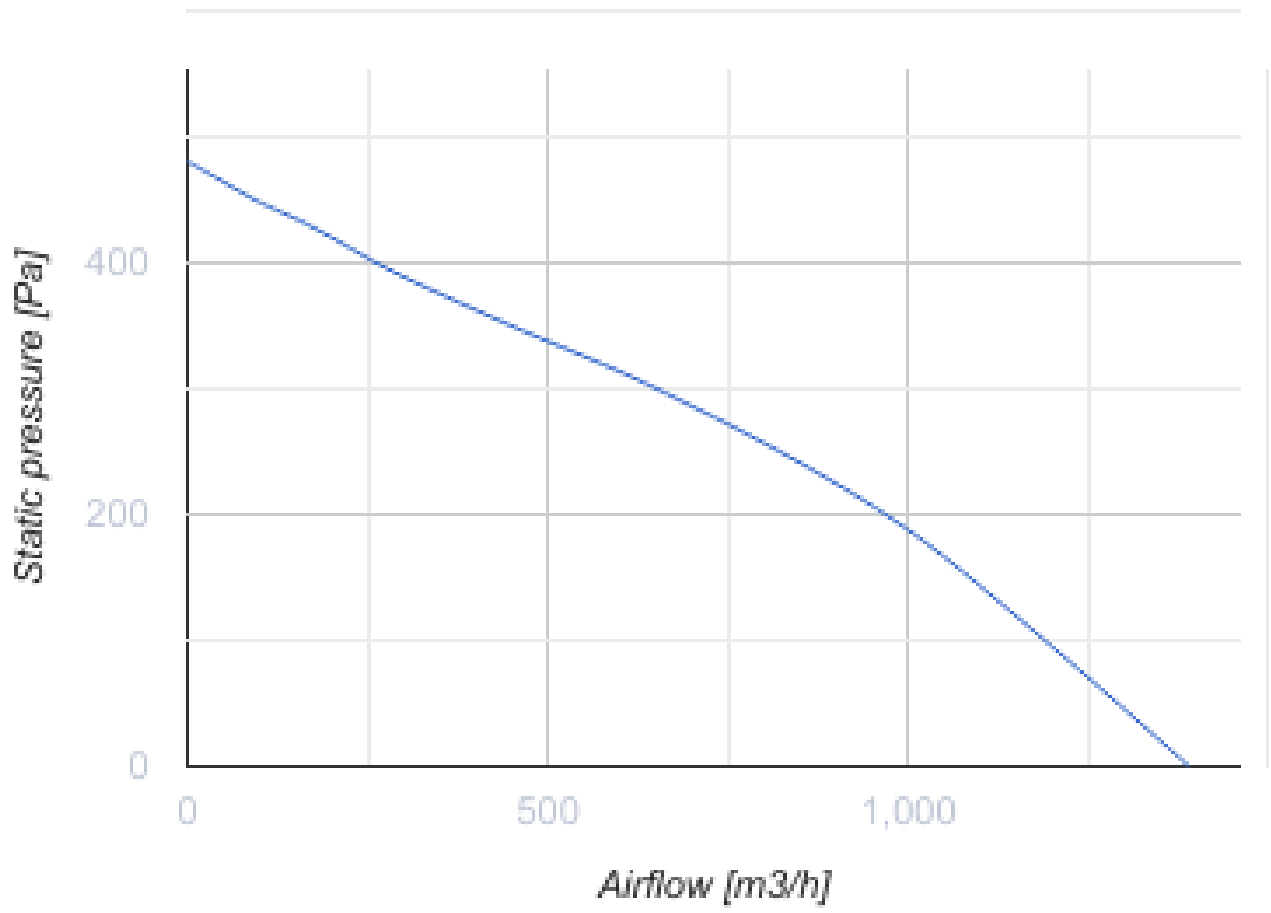
TwinBox EC 250

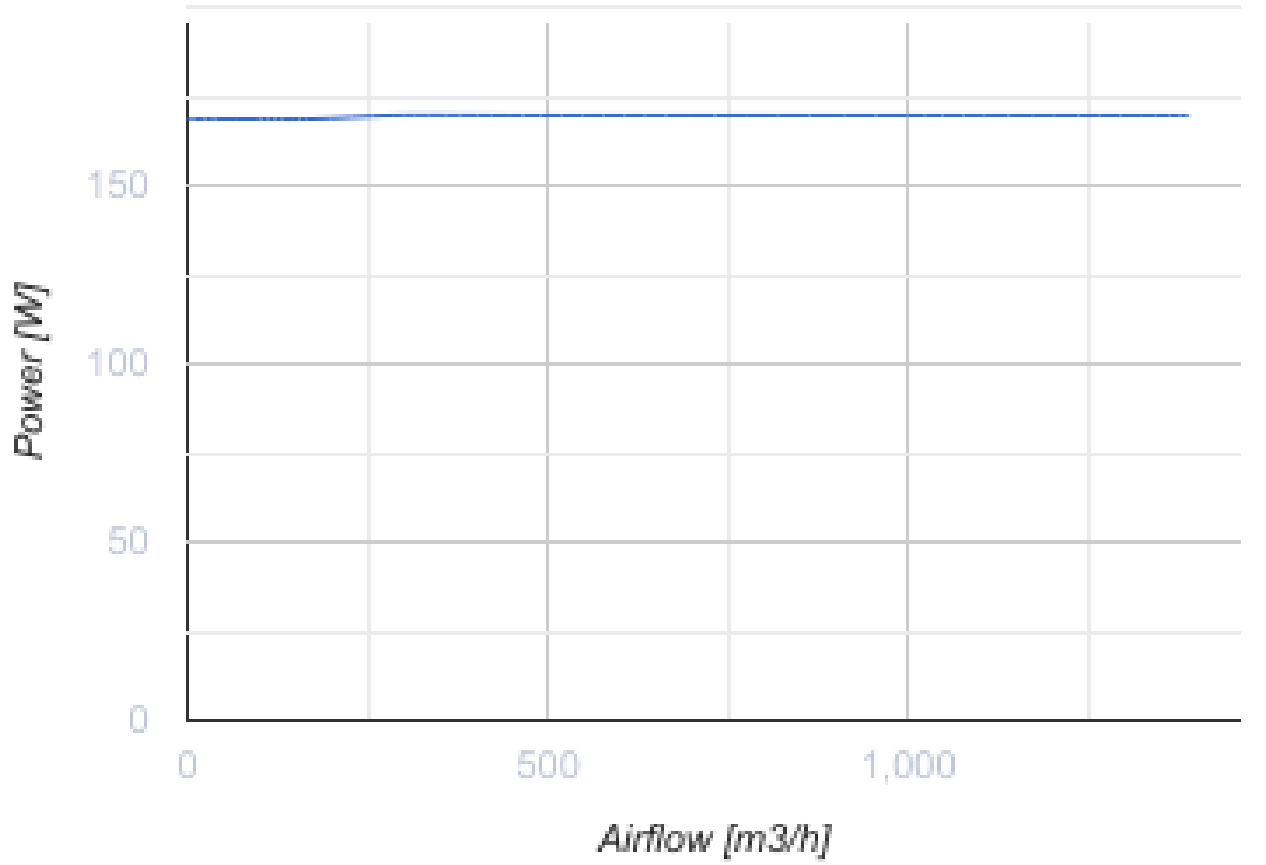
Duct mixed-type fans in sound-insulated casing



- Maximum airflow: 1390
- Sound pressure level LpA at 3 m: 49
- Sound insulation
- Motor type: EC
- Impeller type: Mixed-flow
- Casing material: Galvanized steel

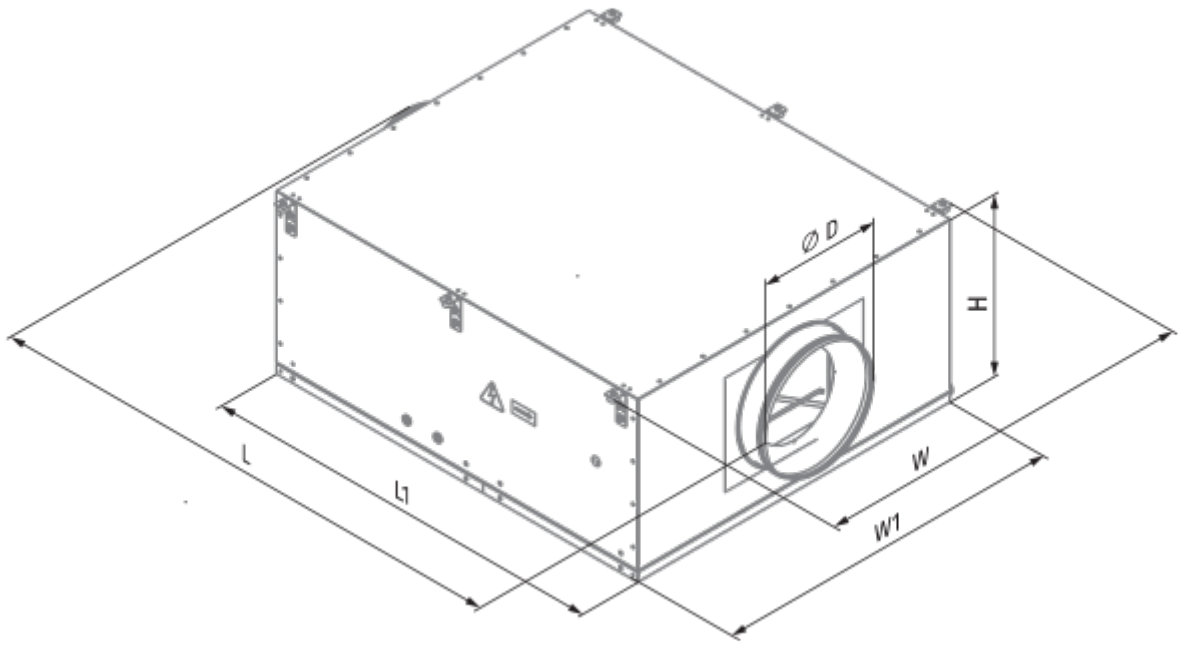
	Unit of measurement	TwinBox EC 250
Connected air duct size	mm	250
Speed	-	1
Minimum supply voltage	V	220
Maximum supply voltage	V	240
Power supply frequency	Hz	50/60
Rated power	W	170
Unit current	A	1.29
Maximum airflow	m ³ /h	1390
Sound pressure level LpA at 3 m	dB(A)	49
Weight	kg	47
Transported air temperature (max)	°C	55
Transported air temperature (min)	°C	-25
Ingress protection rating	-	IPX4
Ingress protection rating of the drive	-	IP54





Dimensions

Ø D	L	L1	H	W	W1
249	1062	939	417	887	806



Ecodesign

Trademark	Blauberg
Model	TwinBox EC 250
Type of drive installed	External MSD or VSD
Type of heat recovery system	None
Nominal flow rate (m ³ /s)	0.277
Nominal external pressure (Pa)	188
Maximum external leakage rates (%)	2.7
Static efficiency (%)	47.4
Effective electric power input (kW)	0.17
Sound power level (dB(A))	64
Declared typology	NRVU UVU