

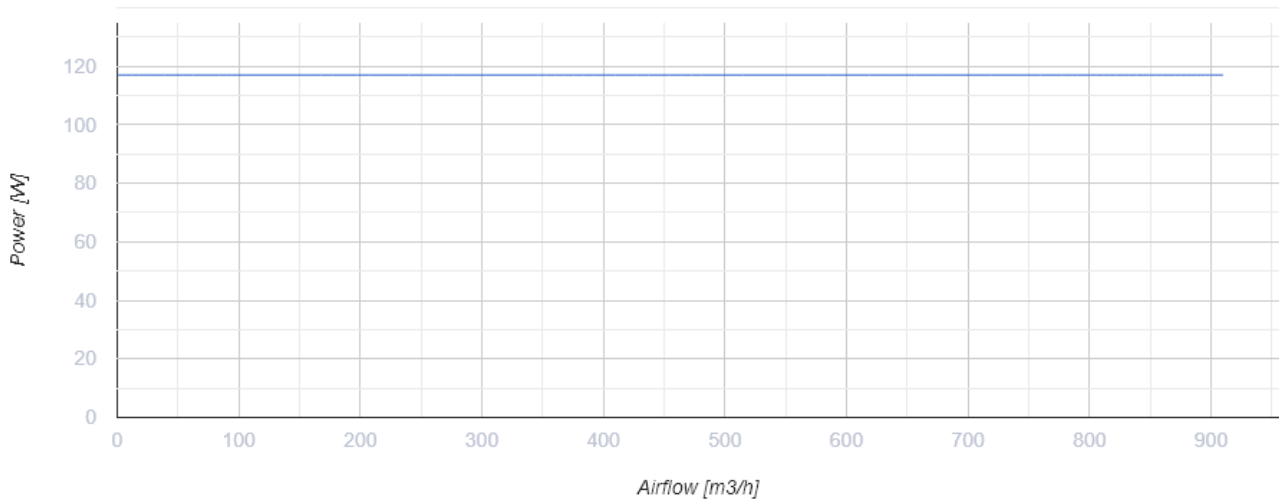
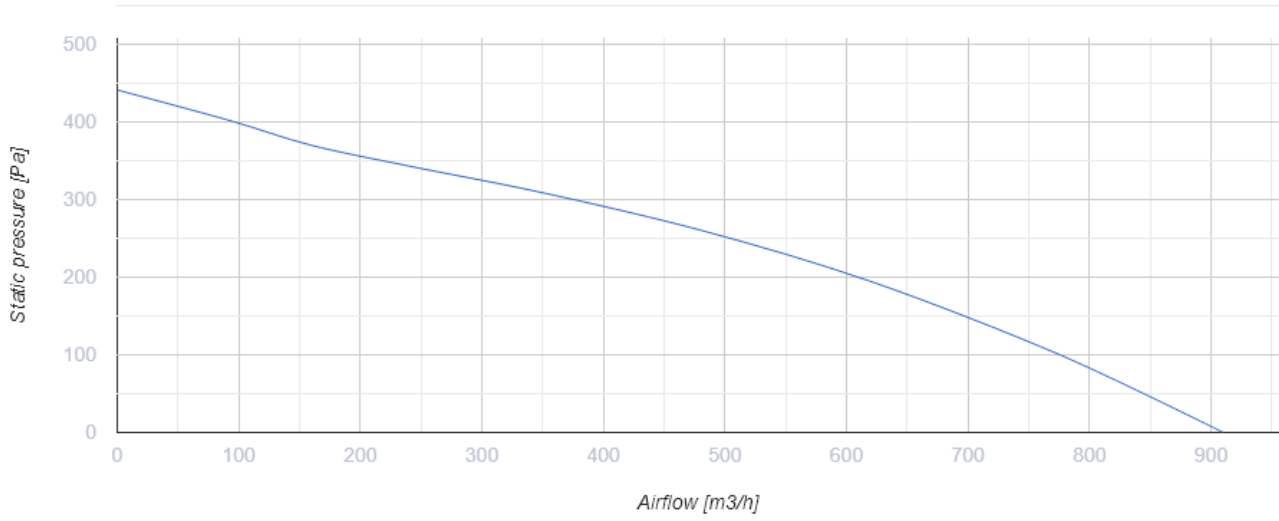
TwinBox EC 200

Duct mixed-type fans in sound-insulated casing



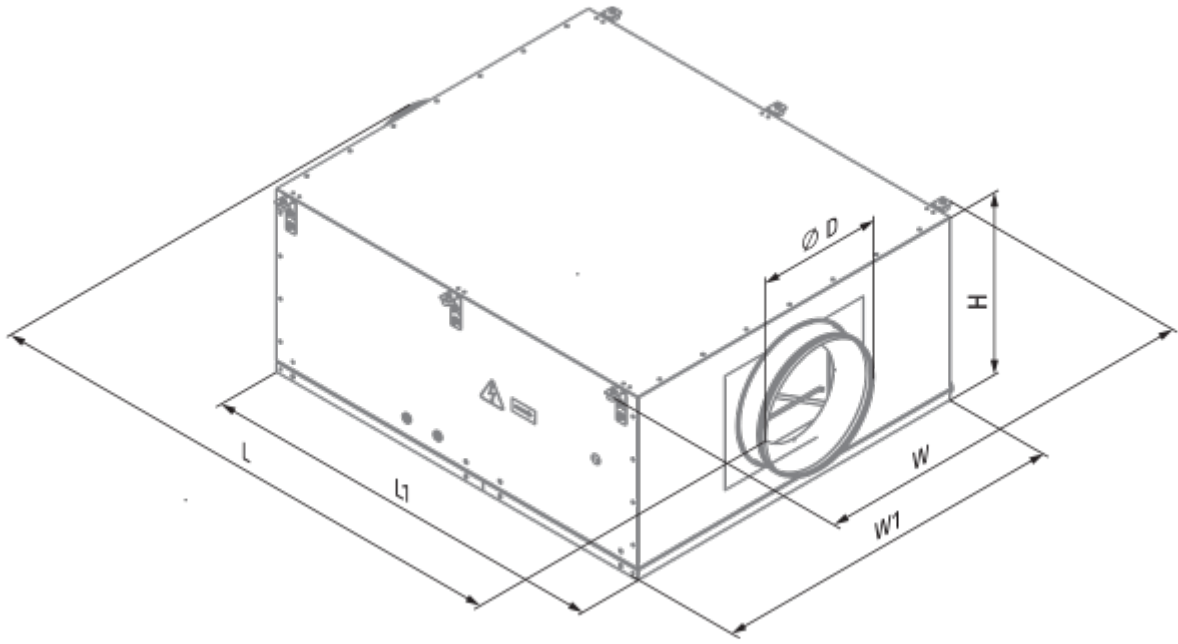
- Maximum airflow: 910
- Sound pressure level LpA at 3 m: 43
- Sound insulation
- Motor type: EC
- Impeller type: Mixed-flow
- Casing material: Galvanized steel

	Unit of measurement	TwinBox EC 200
Connected air duct size	mm	200
Speed	-	1
Minimum supply voltage	V	220
Maximum supply voltage	V	240
Power supply frequency	Hz	50/60
Rated power	W	117
Unit current	A	0.94
Maximum airflow	m ³ /h	910
Sound pressure level LpA at 3 m	dB(A)	43
Weight	kg	39
Transported air temperature (max)	°C	55
Transported air temperature (min)	°C	-25
Ingress protection rating	-	IPX4
Ingress protection rating of the drive	-	IP44



Dimensions

∅ D	L	L1	H	W	W1
199	975	850	375	791	710



Ecodesign

Trademark	Blauberg
Model	TwinBox EC 200
Type of drive installed	External MSD or VSD
Type of heat recovery system	None
Nominal flow rate (m ³ /s)	0.134
Nominal external pressure (Pa)	260
Maximum external leakage rates (%)	2.7
Static efficiency (%)	30.3
Effective electric power input (kW)	0.117
Sound power level (dB(A))	57
Declared typology	NRVU UVU