

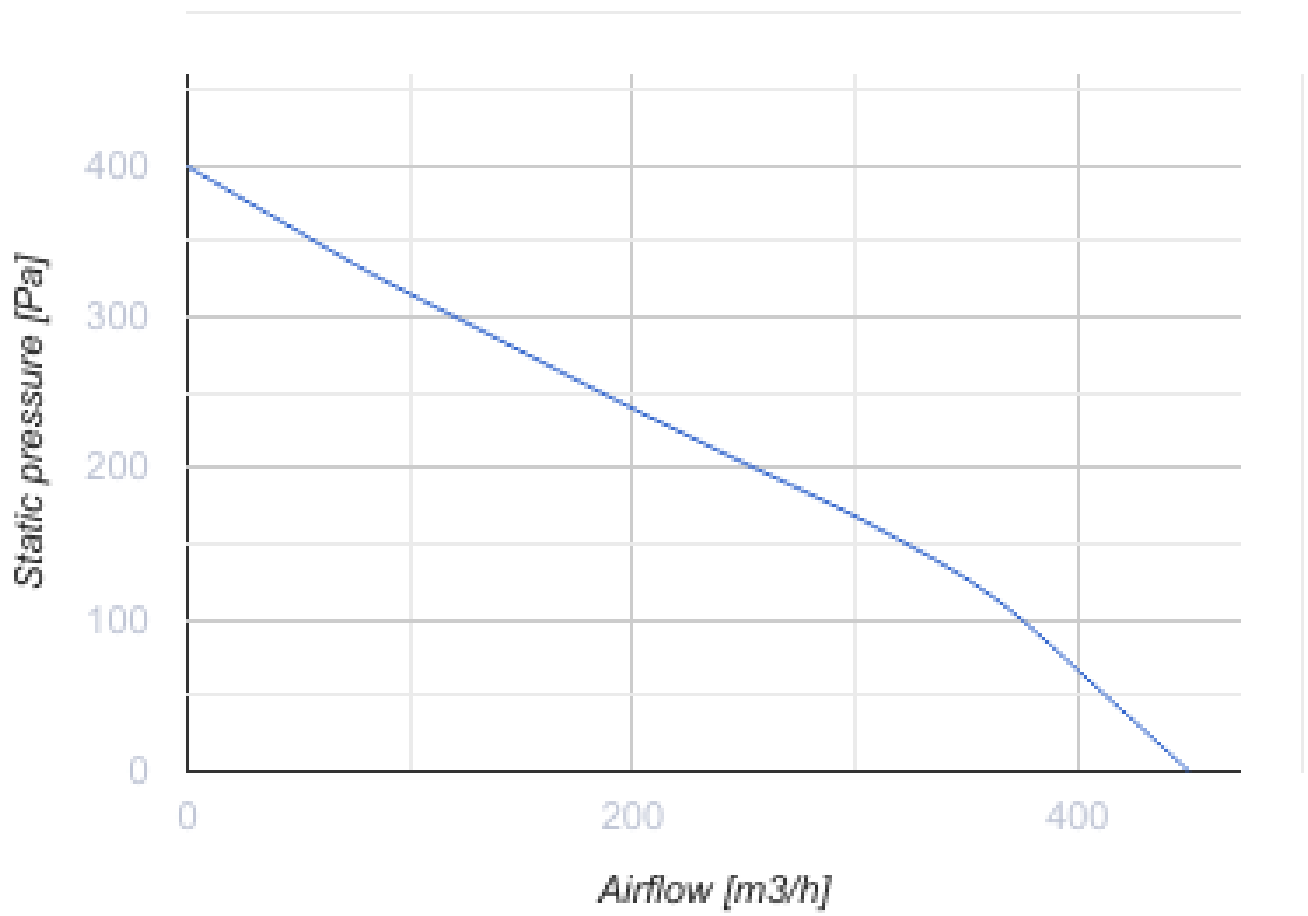
TwinBox EC 150

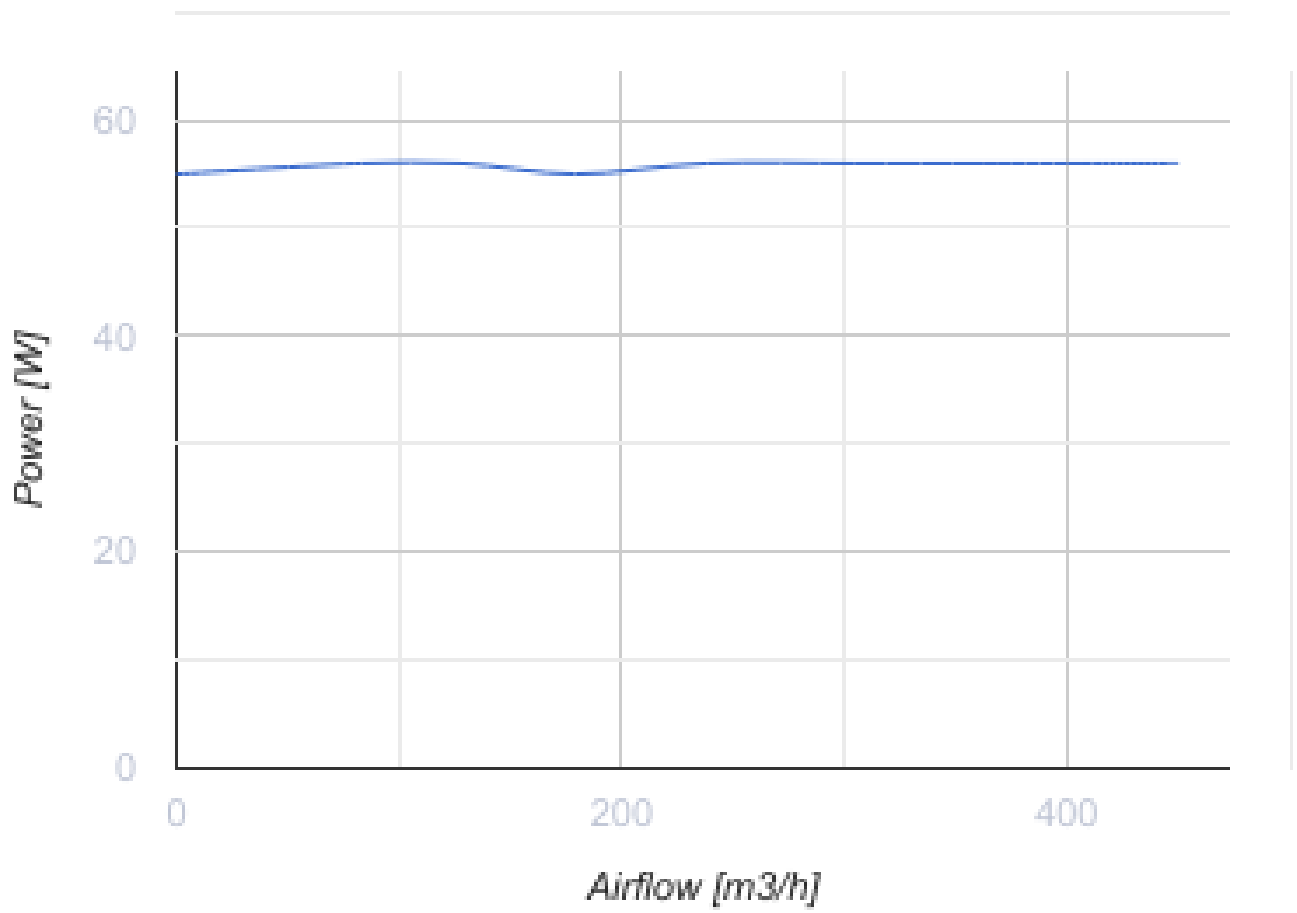
Duct mixed-type fans in sound-insulated casing



- Maximum airflow: 450
- Sound pressure level LpA at 3 m: 37.5
- Sound insulation
- Motor type: EC
- Impeller type: Mixed-flow
- Casing material: Galvanized steel

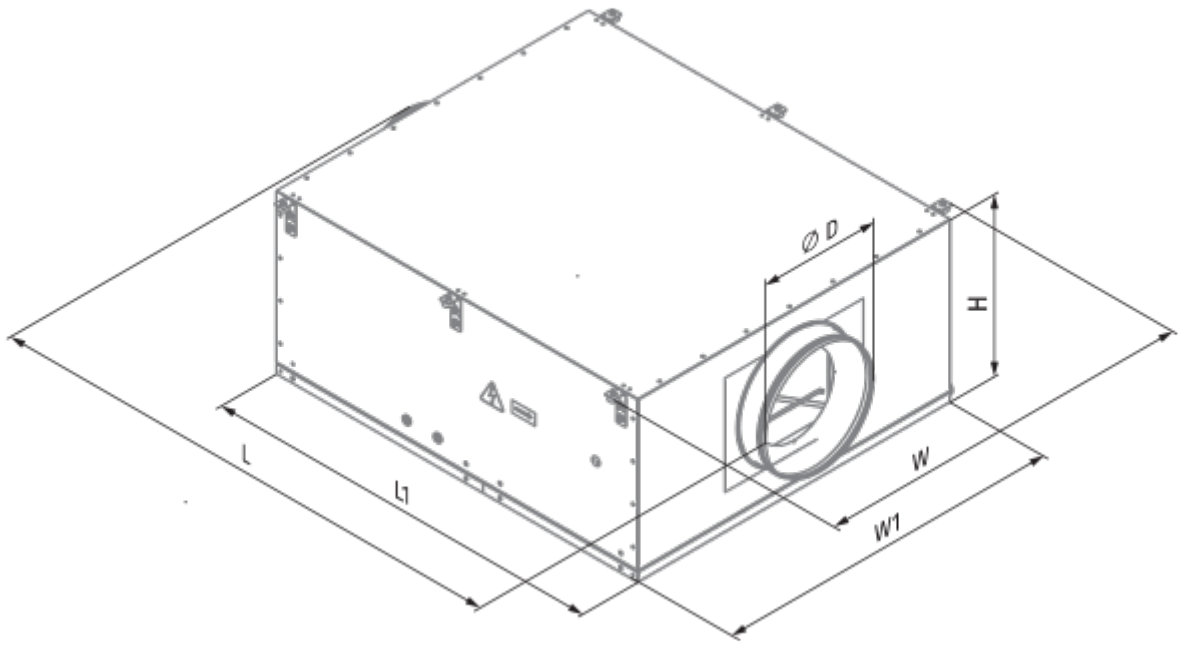
	Unit of measurement	TwinBox EC 150
Connected air duct size	mm	150
Speed	-	1
Minimum supply voltage	V	220
Maximum supply voltage	V	240
Power supply frequency	Hz	50/60
Rated power	W	56
Unit current	A	0.48
Maximum airflow	m ³ /h	450
Sound pressure level LpA at 3 m	dB(A)	37.5
Weight	kg	28
Transported air temperature (max)	°C	55
Transported air temperature (min)	°C	-25
Ingress protection rating	-	IPX4
Ingress protection rating of the drive	-	IP44





Dimensions

Ø D	L	L1	H	W	W1
149	975	850	321	621	540



Ecodesign

Trademark	Blauberg
Model	TwinBox EC 150
Type of drive installed	External MSD or VSD
Type of heat recovery system	None
Nominal flow rate (m ³ /s)	0.066
Nominal external pressure (Pa)	211
Maximum external leakage rates (%)	2.7
Static efficiency (%)	25.5
Effective electric power input (kW)	0.056
Sound power level (dB(A))	57
Declared typology	NRVU UVU