

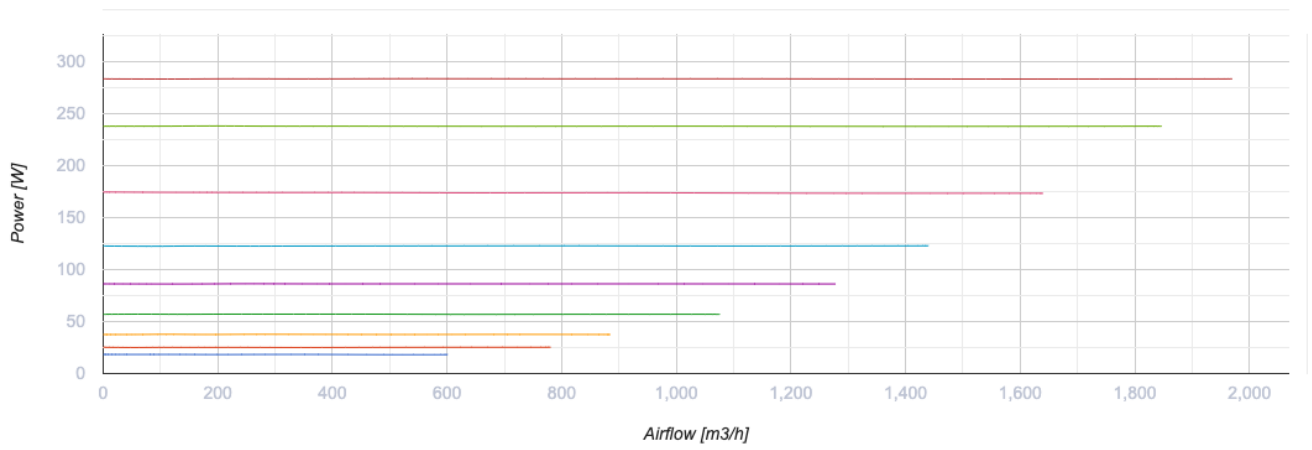
Turbo EC 315 GI1

Inline mixed-flow fans with EC motor



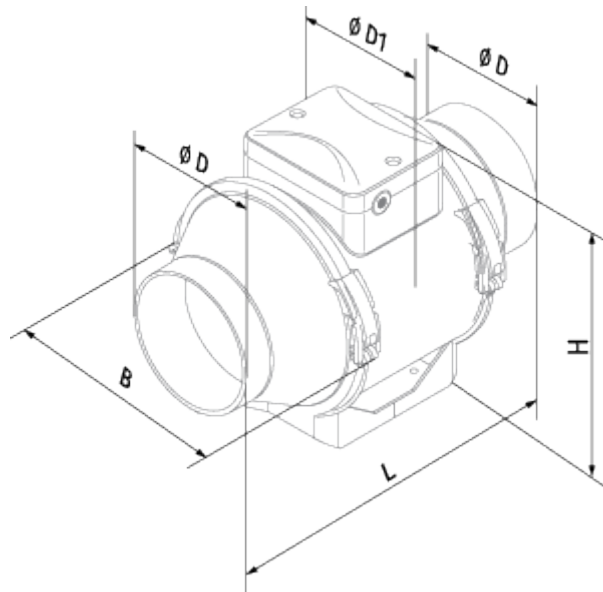
- Maximum airflow: 1970
- Sound pressure level LpA at 3 m: 55
- Motor type: EC
- Control: Built-in speed controller
- Impeller type: Mixed-flow
- Casing material: Plastic
- Installation in any position
- Cable with mains plug
- Temperature sensor

	Unit of measurement	Turbo EC 315 GI1
Connected air duct size	mm	315
Speed	-	1
Minimum supply voltage	V	230
Maximum supply voltage	V	230
Power supply frequency	Hz	50/60
Rated power	W	284
Unit current	A	1.25
Maximum airflow	m ³ /h	1970
Sound pressure level LpA at 3 m	dB(A)	55
Weight	kg	11.95
Transported air temperature (max)	°C	55
Transported air temperature (min)	°C	-25
Ingress protection rating	-	IPX4



Dimensions

ØD	ØD1	B	H	L
308.5	323	360	423	443




Ecodesign

Trademark	Blauberg
Model	Turbo EC 315 GI1
Type of ventilation unit	Unidirectional
Type of drive installed	Integrated VSD
Type of heat recovery system	None
Nominal flow rate (m ³ /s)	0.31
Nominal external pressure (Pa)	371
Maximum external leakage rates (%)	2.7
Static efficiency (%)	46.6
Declared typology	NRVU UVU
Effective electric power input (kW)	0.283
Sound power level (dB(A))	75

Accessories

EC motors regulators

Name	Photo	Description
CDT E/0-10		Speed control for EC motors