

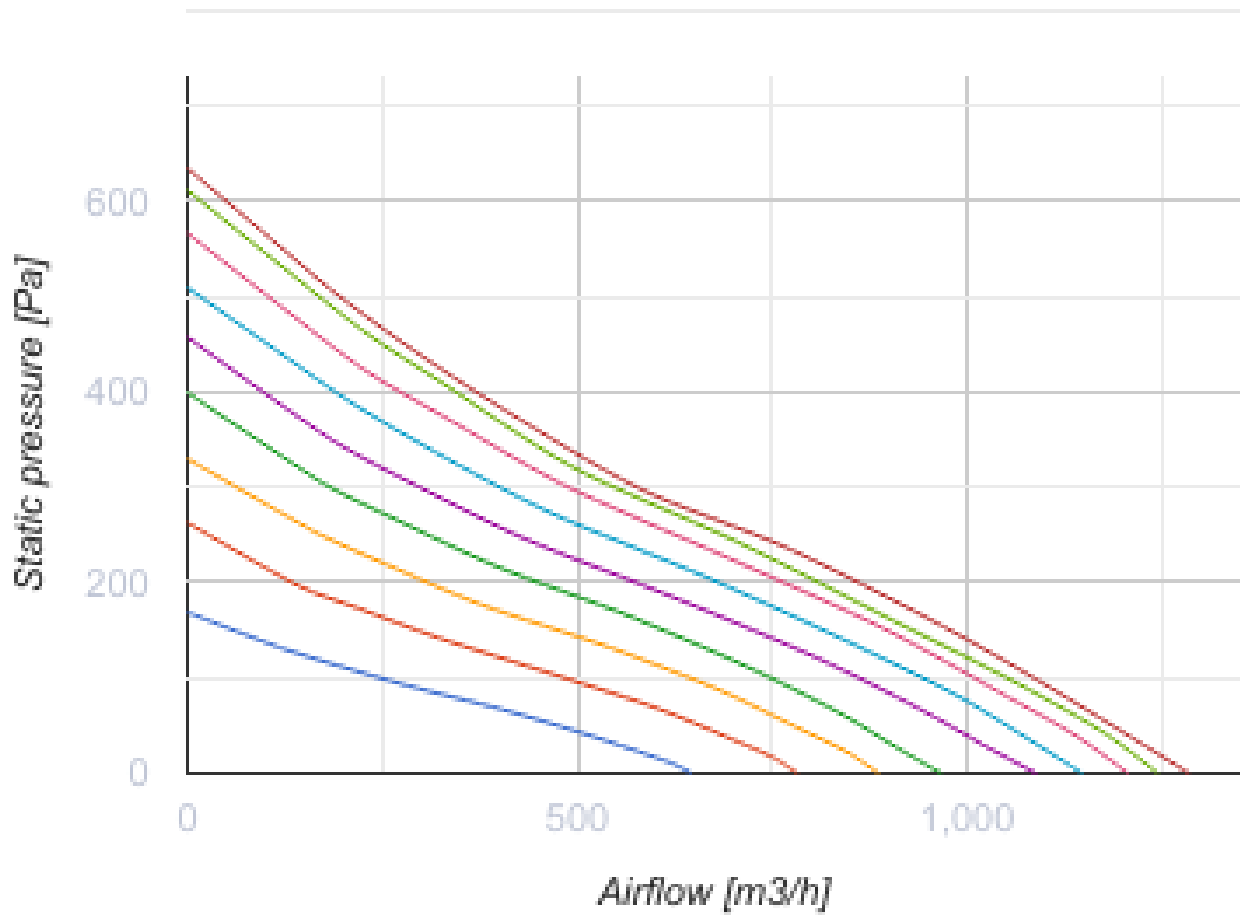
Turbo EC 250 GI1

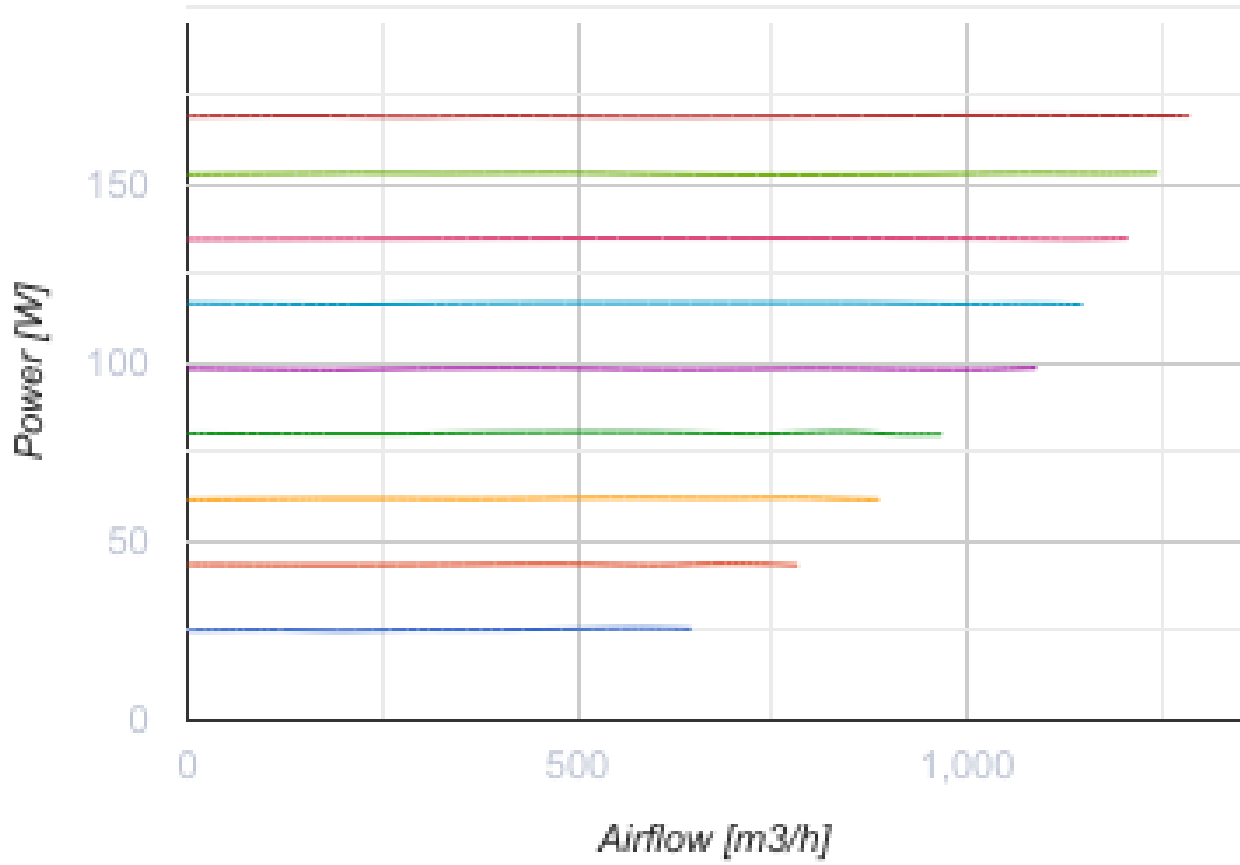
Inline mixed-flow fans with EC motor



- Maximum airflow: 1285
- Sound pressure level LpA at 3 m: 53
- Motor type: EC
- Control: Built-in speed controller
- Impeller type: Mixed
- Casing material: Plastic
- Installation in any position
- Cable with mains plug
- Temperature sensor

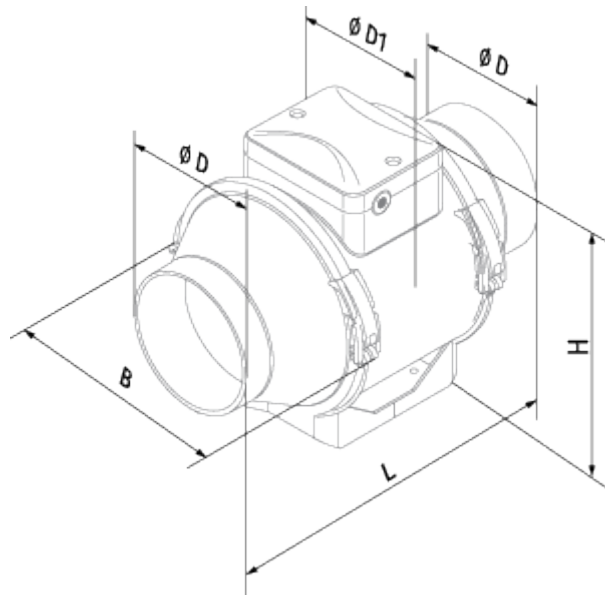
	Unit of measurement	Turbo EC 250 GI1
Connected air duct size	mm	250
Speed	-	1
Minimum supply voltage	V	230
Maximum supply voltage	V	230
Power supply frequency	Hz	50/60
Rated power	W	169
Unit current	A	1.38
Maximum airflow	m ³ /h	1285
Sound pressure level LpA at 3 m	dB(A)	53
Weight	kg	7.8
Transported air temperature (max)	°C	55
Transported air temperature (min)	°C	-25
Ingress protection rating	-	IPX4





Dimensions

ØD	ØD1	B	H	L
247	288	339	383	257




Ecodesign

Trademark	Blauberg
Model	Turbo EC 250 GI1
Type of ventilation unit	Unidirectional
Type of drive installed	Integrated VSD
Type of heat recovery system	None
Nominal flow rate (m ³ /s)	0.216
Nominal external pressure (Pa)	234
Maximum external leakage rates (%)	2.7
Static efficiency (%)	34.8
Effective electric power input (kW)	0.169
Sound power level (dB(A))	73
Declared typology	NRVU UVU

Accessories

Other accessories

Name	Photo	Description
CDT E/0-10		Speed control for EC motors