

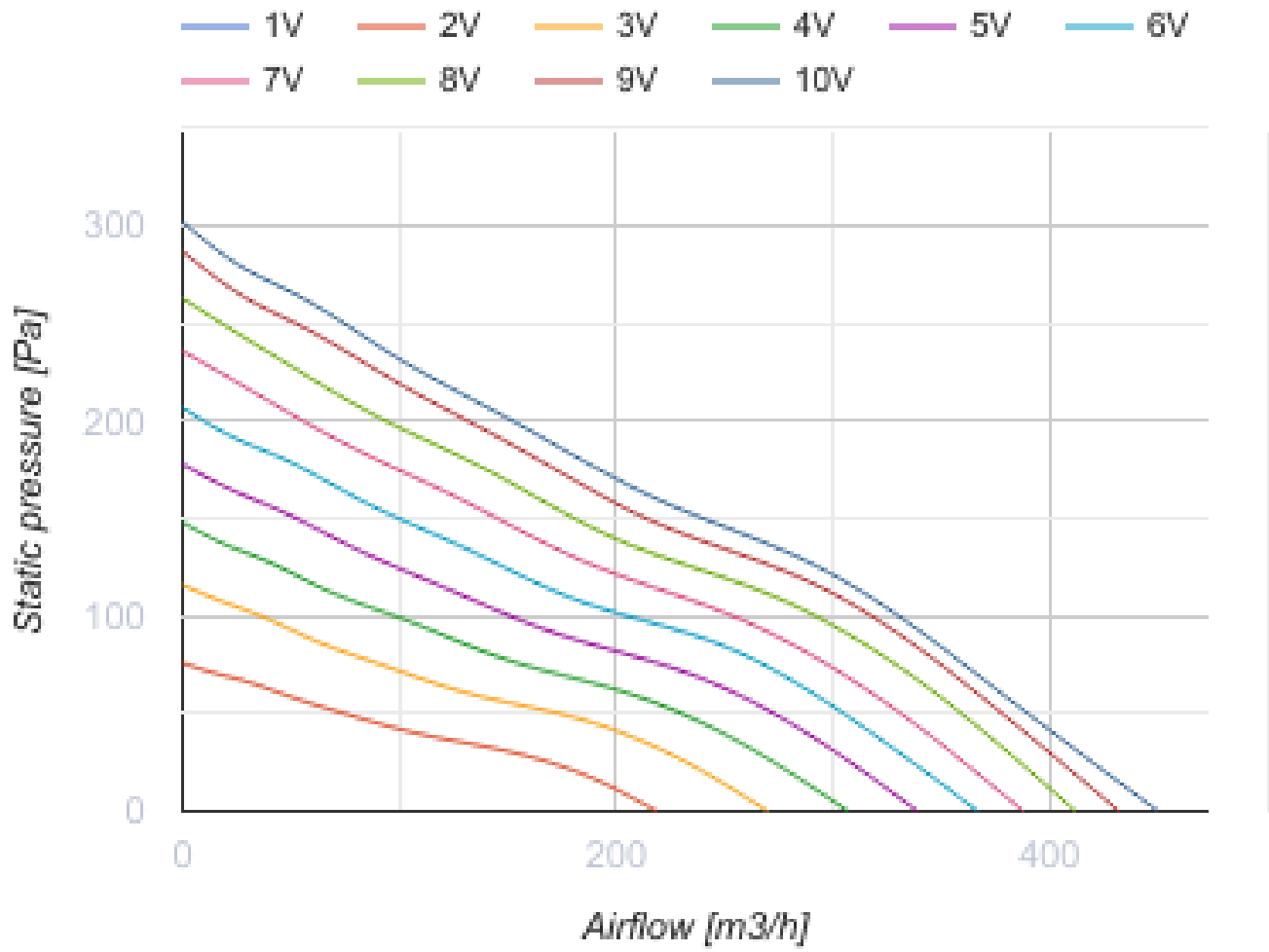


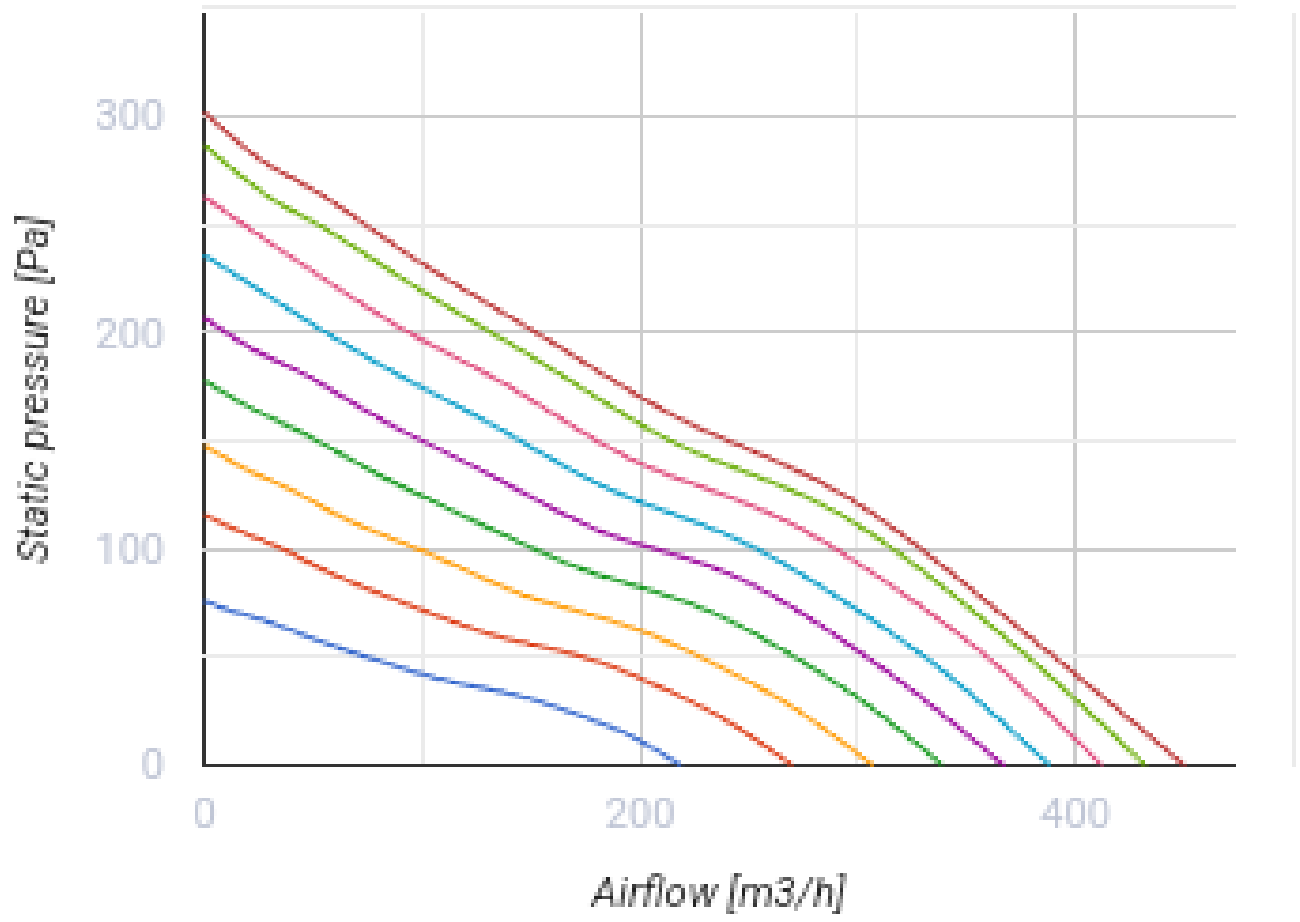
Turbo EC 125 G1

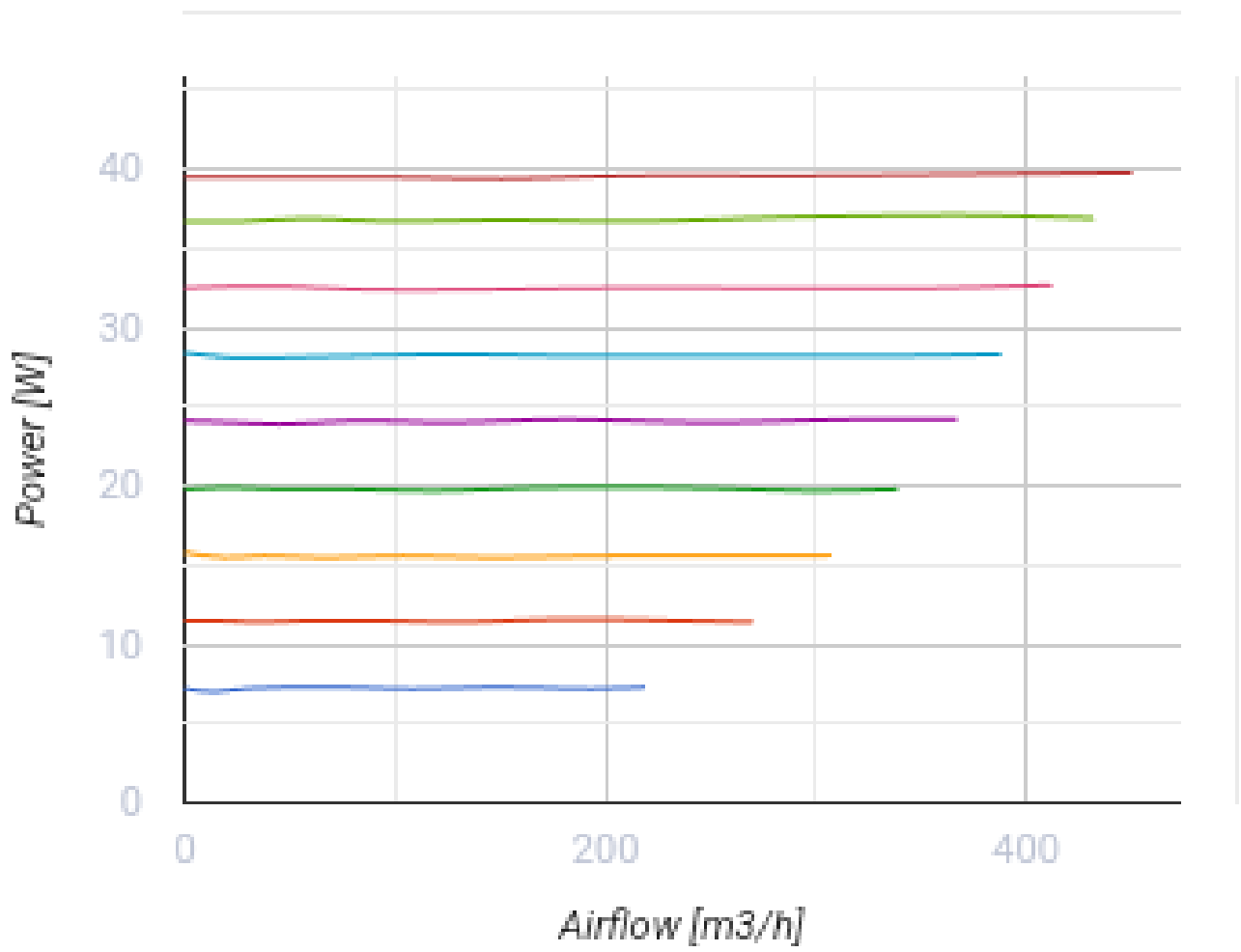
Inline mixed-flow fans with EC motor

- Maximum airflow: 450
- Sound pressure level LpA at 3 m: 49
- Motor type: EC
- Control: Built-in speed controller
- Impeller type: Mixed-flow
- Casing material: Plastic
- Installation in any position
- Cable with mains plug
- Temperature sensor

| | Unit of measurement | Turbo EC 125 G1 |
|-----------------------------------|---------------------|-----------------|
| Connected air duct size | mm | 125 |
| Speed | - | 1 |
| Minimum supply voltage | V | 230 |
| Maximum supply voltage | V | 230 |
| Power supply frequency | Hz | 50/60 |
| Rated power | W | 40 |
| Unit current | A | 0.37 |
| Maximum airflow | m ³ /h | 450 |
| Sound pressure level LpA at 3 m | dB(A) | 49 |
| Weight | kg | 2.15 |
| Transported air temperature (max) | °C | 55 |
| Transported air temperature (min) | °C | -25 |
| Ingress protection rating | - | IPX4 |

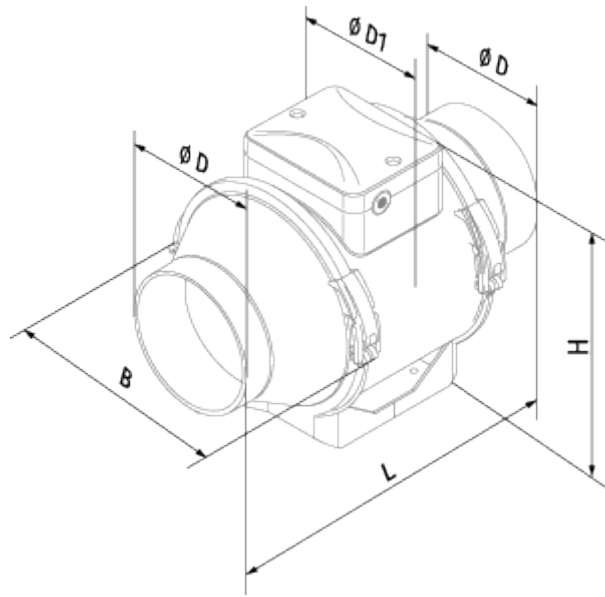




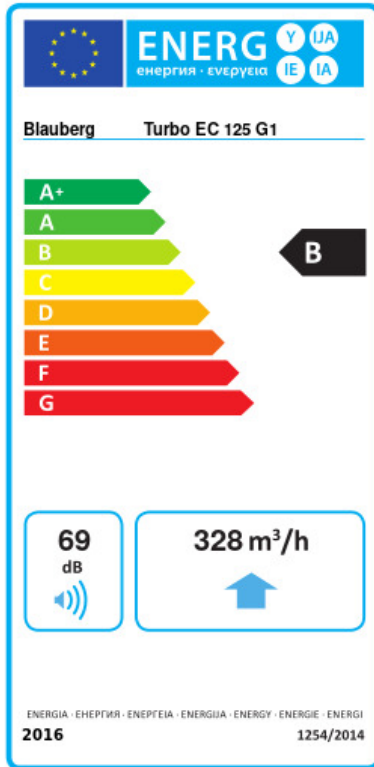


Dimensions

| ØD | ØD1 | B | H | L |
|-----|-----|-----|-----|-------|
| 123 | 164 | 193 | 241 | 258.5 |



Ecodesign



| | | | | | | |
|---|----------------------|----|---------|---|-------|---|
| Trademark | Blaubeurg | | | | | |
| Model | Turbo EC 125 G1 | | | | | |
| Specific energy consumption (SEC) (kWh/(m ² /a)) | Cold | | Average | | Warm | |
| | -54.5 | A+ | -27.4 | B | -11.9 | E |
| Type of ventilation unit | Unidirectional | | | | | |
| Type of drive installed | Variable speed | | | | | |
| Type of heat recovery system | None | | | | | |
| Maximum flow rate (m ³ /h) | 328 | | | | | |
| Electric power input (W) | 39.8 | | | | | |
| Reference flow rate (m ³ /s) | 0.064 | | | | | |
| Reference pressure difference (Pa) | 50 | | | | | |
| Specific power input (SPI) (W/(m ³ /h)) | 0.068 | | | | | |
| Control typology | Local demand control | | | | | |
| Maximum external leakage rates (%) | 2.7 | | | | | |
| Declared typology | RVU UVU | | | | | |
| Sound power level (dB(A)) | 69 | | | | | |
| The annual electricity consumption (AEC) (kWh/a) | Cold | | Average | | Warm | |
| | 36 | | 36 | | 36 | |
| The annual heating saved (AHS) (kWh/a) | Cold | | Average | | Warm | |
| | 5536 | | 2830 | | 1280 | |

Accessories

EC motors regulators

| Name | Photo | Description |
|----------------------------|-------|-----------------------------|
| CDT E/0-10 | | Speed control for EC motors |