

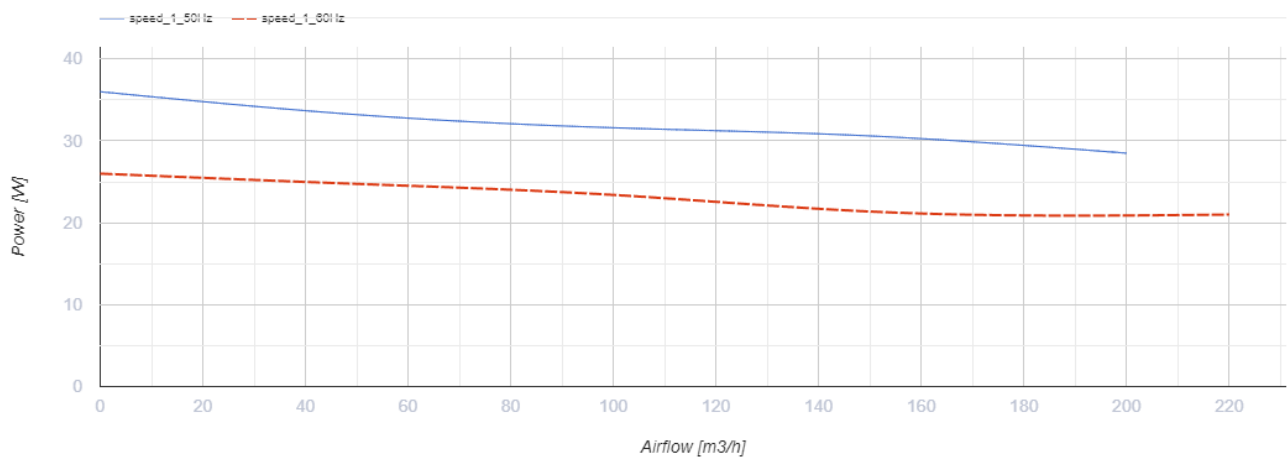
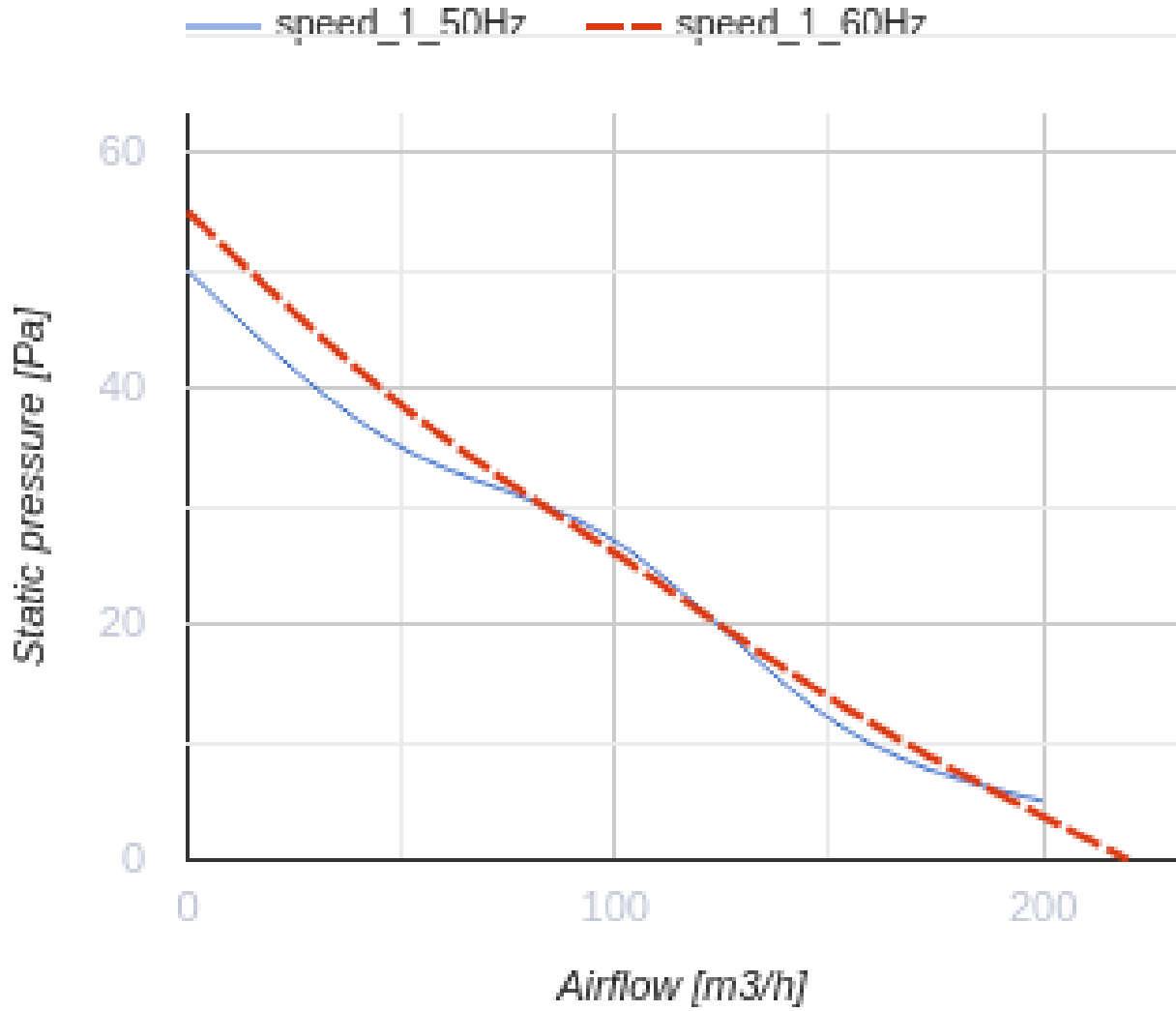


Tubo-M 150

Inline axial fans

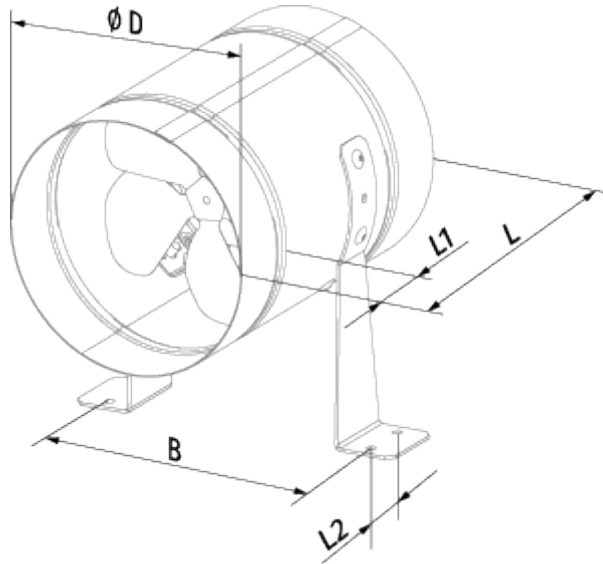
- Maximum airflow: 180
- Sound pressure level LpA at 3 m: 33
- Motor type: AC
- Impeller type: Axial
- Casing material: Coated steel
- Installation in any position

	Unit of measurement	Tubo-M 150	
Connected air duct size	mm	150	
Speed	-	2	
Phases	-	1	
Minimum supply voltage	V	220	
Maximum supply voltage	V	240	
Power supply frequency	Hz	50	60
Rated power	W	26	
Unit current	A	0.19	
Maximum airflow	m ³ /h	180	
rotation speed at 50hz	-	1432	
Sound pressure level LpA at 3 m	dB(A)	33	
Weight	kg	2.08	
Transported air temperature (max)	°C	40	
Transported air temperature (min)	°C	-30	
Ingress protection rating	-	IPX4	
Ingress protection rating of the drive	-	IP44	



Dimensions

ØD	B	L	L1	L2
162	183	220	40	30



Accessories

Other accessories

Name	Photo	Description
CDT E1.8		Thyristor speed controller