

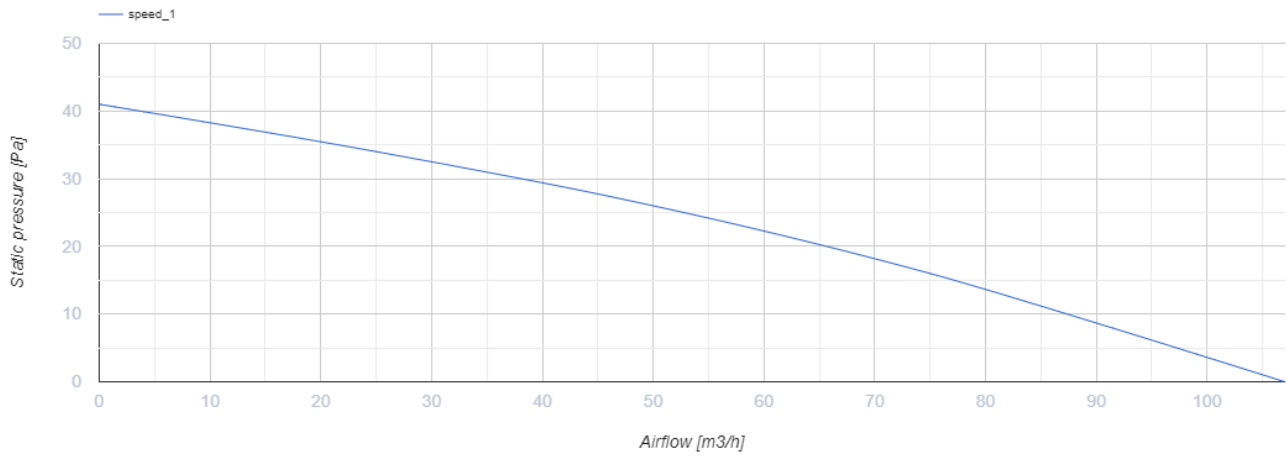
# Tubo 100

Inline axial fan for supply and exhaust ventilation

- Maximum airflow: 107
- Sound pressure level LpA at 3 m: 36
- Motor type: AC
- Casing material: Plastic

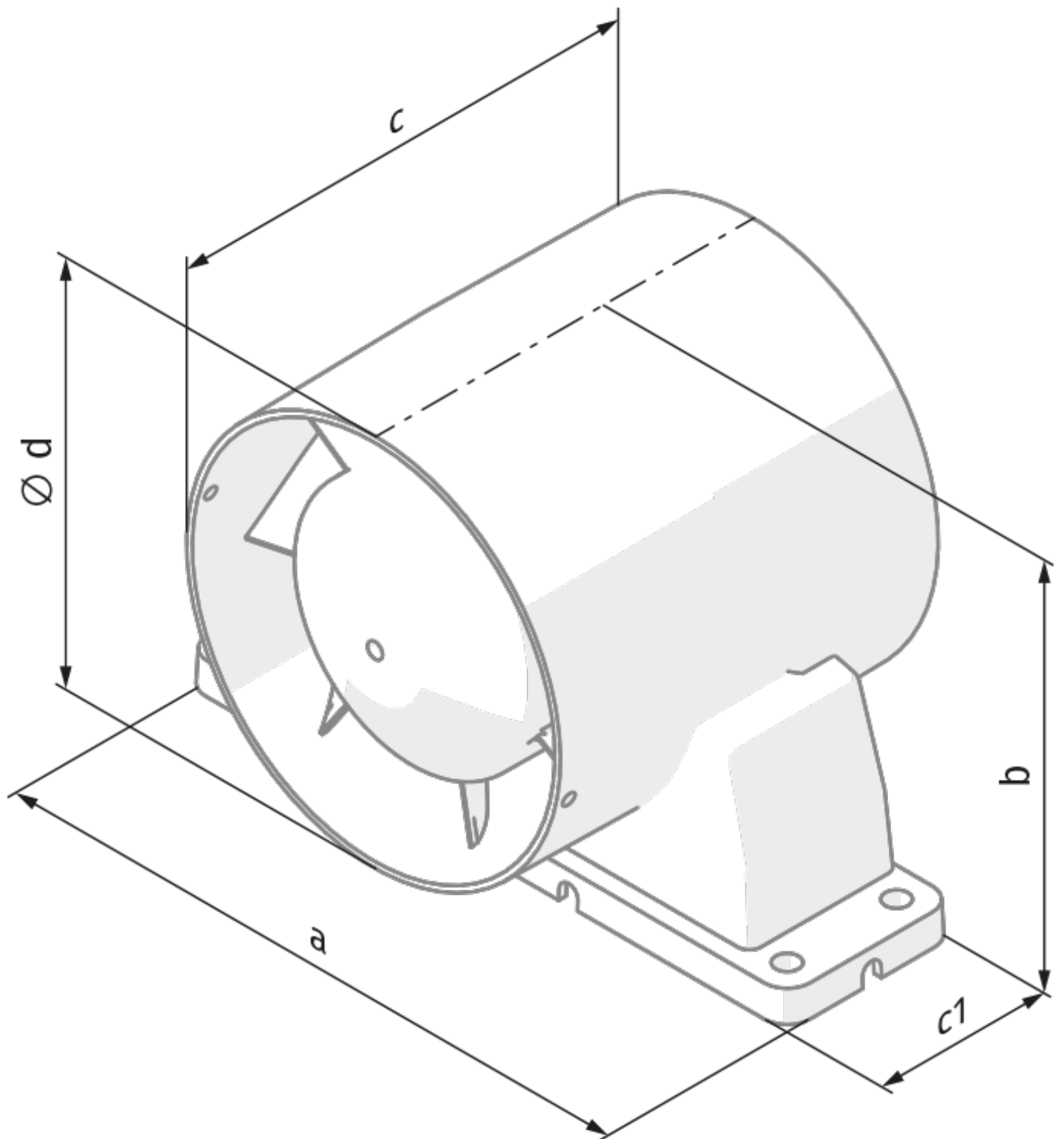


	Unit of measurement	Tubo 100
Connected air duct size	mm	100
Speed	-	1
Minimum supply voltage	V	220
Maximum supply voltage	V	240
Power supply frequency	Hz	50/60
Rated power	W	14
Unit current	A	0.085
Maximum airflow	m <sup>3</sup> /h	107
Sound pressure level LpA at 3 m	dB(A)	36
Weight	kg	0.41
Ambient air temperature min	°C	1
Ambient air temperature max	°C	40
Ingress protection rating	-	IPX4



## Dimensions

c	Ø d
100	100



## Ecodesign



Trademark	Blauberg					
Model	Tubo 100					
Specific energy consumption (SEC) (kWh/(m <sup>2</sup> /a))	Cold		Average		Warm	
	-30.2	B	-13.8	E	-4.4	F
Type of ventilation unit	Unidirectional					
Type of drive installed	Single speed					
Type of heat recovery system	None					
Maximum flow rate (m <sup>3</sup> /h)	102					
Electric power input (W)	16					
Reference flow rate (m <sup>3</sup> /s)	0.027					
Specific power input (SPI) (W/(m <sup>3</sup> /h))	0.107					
Control typology	Manual control					
Maximum external leakage rates (%)	2.7					
Declared typology	RVU UVU					
Sound power level (dB(A))	58					
The annual electricity consumption (AEC) (kWh/a)	Cold	Average		Warm		
	135	135		135		
The annual heating saved (AHS) (kWh/a)	Cold	Average		Warm		
	3355	1715		776		