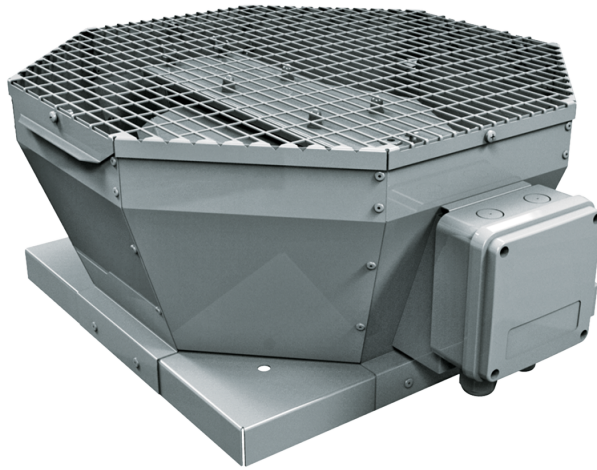


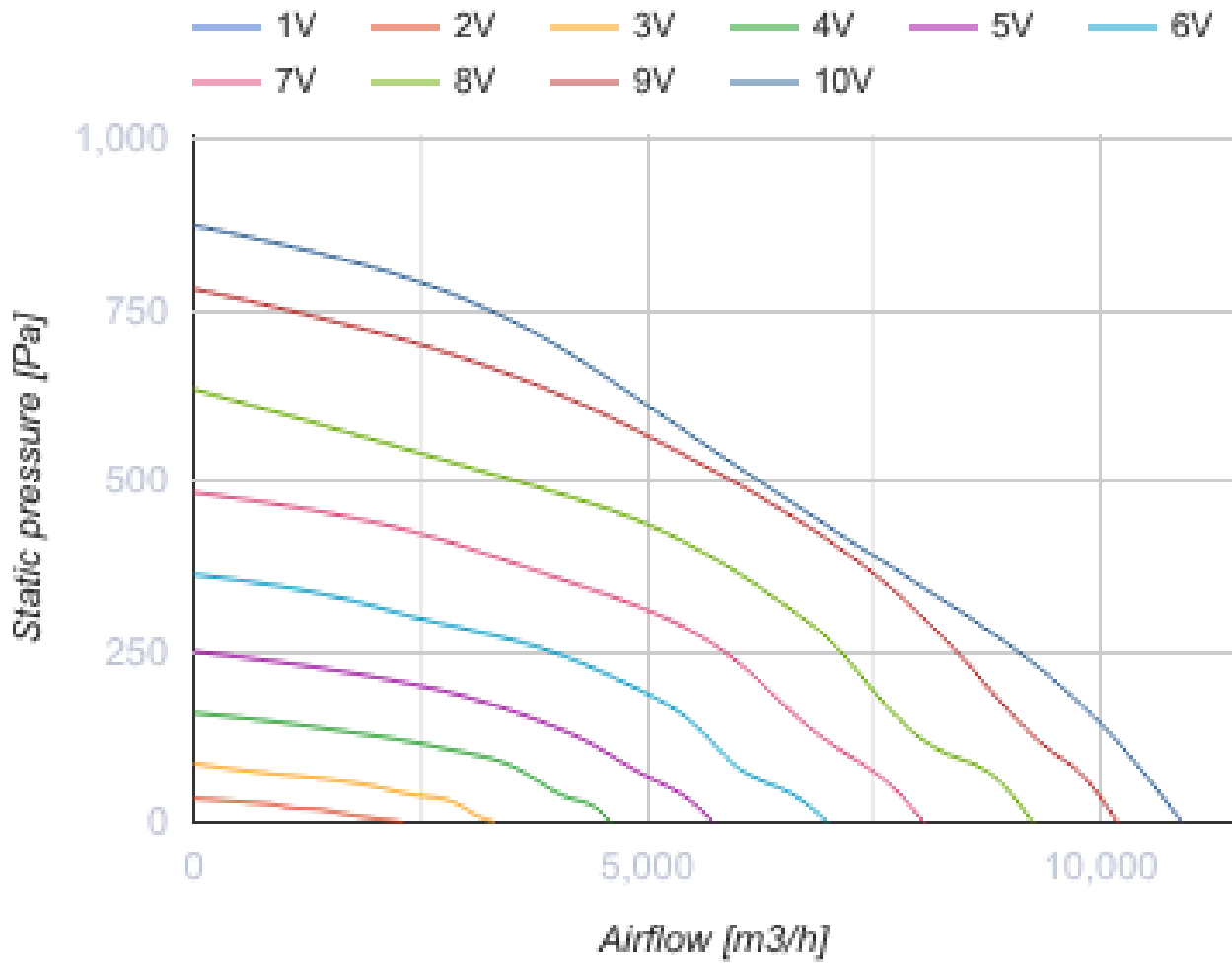
Tower-V EC 500

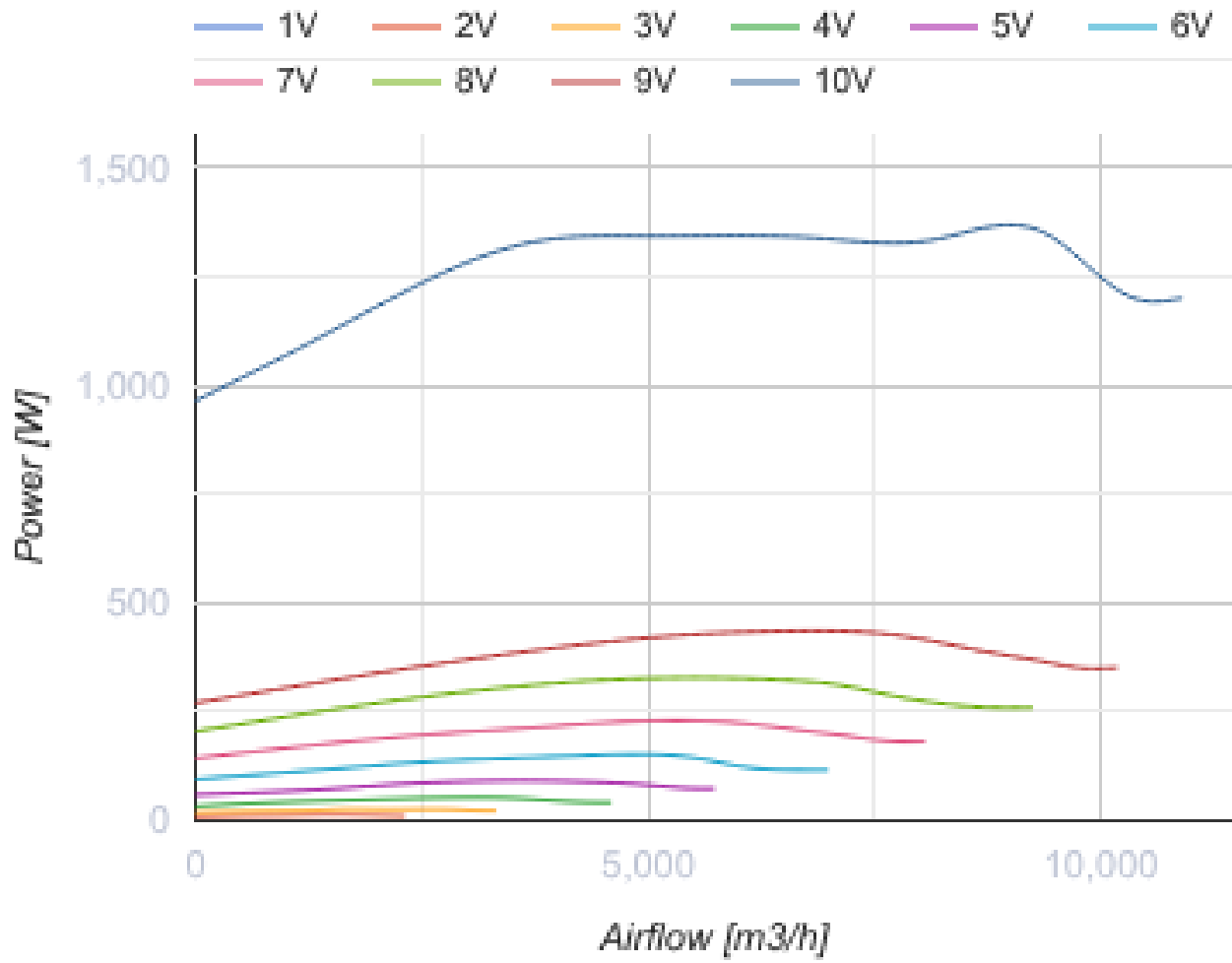
Roof centrifugal fans with vertical air discharge with EC-motors

- Sound pressure level LpA at 3 m: 67
- Impeller type: Centrifugal impeller with backward curved blades
- Casing material: Coated steel



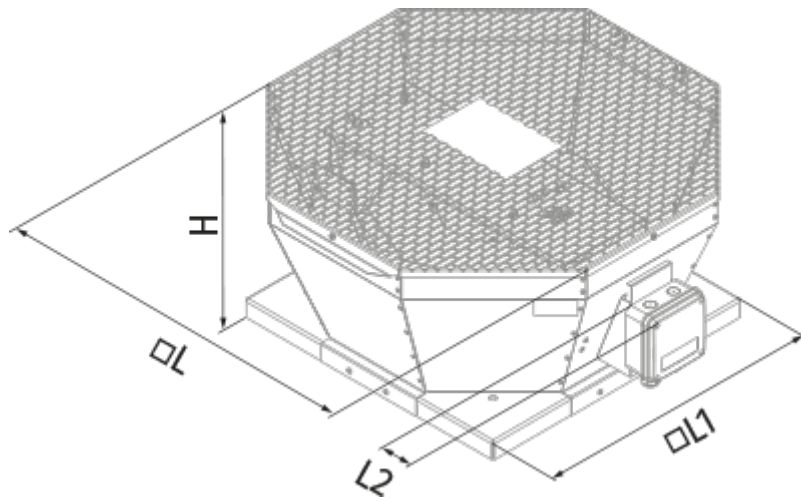
	Unit of measurement	Tower-V EC 500
Phases	-	3
Minimum supply voltage	V	400
Maximum supply voltage	V	400
Power supply frequency	Hz	50/60
Rated power	W	1350
Unit current	A	2.08
Maximum airflow	m ³ /h	10900
Rotation speed at 50hz	-	1480
Sound pressure level LpA at 3 m	dB(A)	67
Weight	kg	51
Transported air temperature (max)	°C	50
Transported air temperature (min)	°C	-25
Ingress protection rating	-	IPX4
Ingress protection rating of the drive	-	IP54
Impeller material	-	Plastic
Article	-	8017896





Dimensions

L	L1	H	L2
859	668	455	53




Ecodesign

Trademark	Blauberg
Model	Tower-V EC 500
Type of ventilation unit	Unidirectional
Type of drive installed	Integrated VSD
Type of heat recovery system	None
Nominal external pressure (Pa)	720
Maximum external leakage rates (%)	2.7
Static efficiency (%)	59.8
Declared typology	NRVU UVU
Effective electric power input (kW)	2.65
Sound power level (dB(A))	83

Accessories

EC motors regulators

Name	Photo	Description
CDT E/0-10		Speed control for EC motors