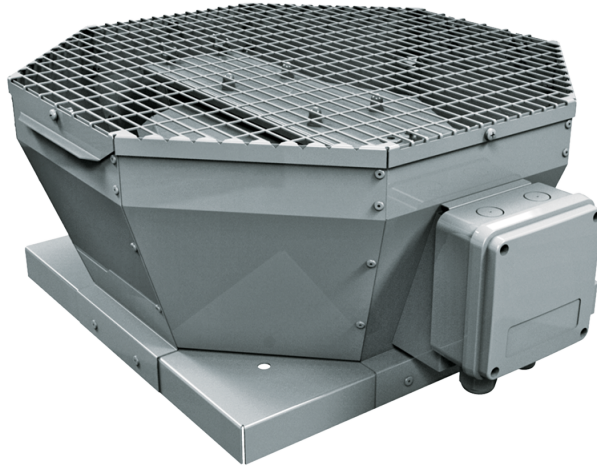


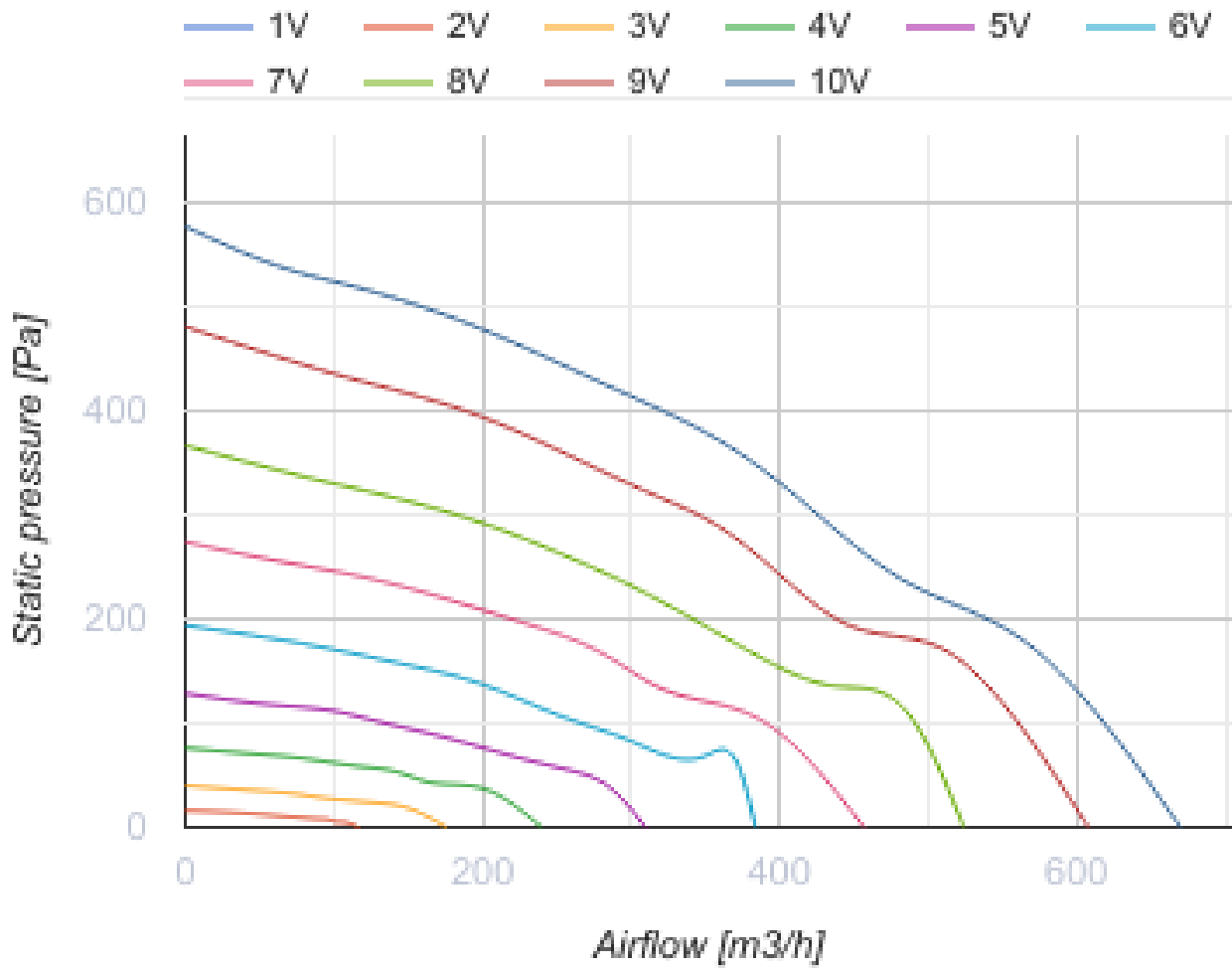
Tower-V EC 190

Roof centrifugal fans with EC motor



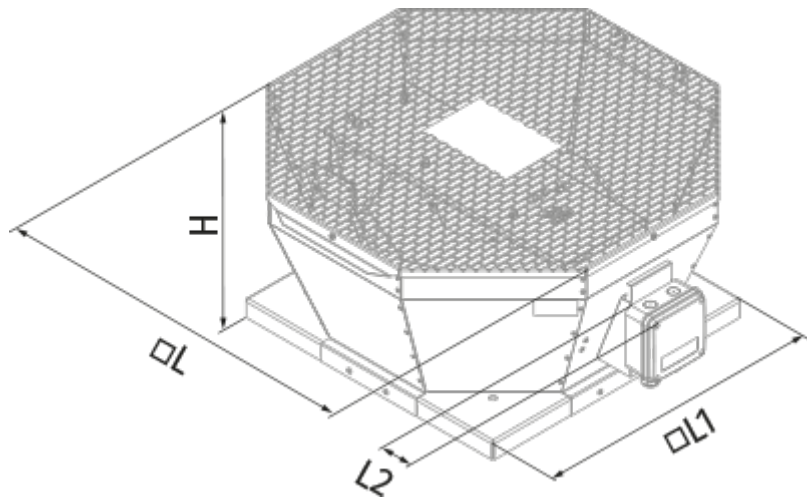
- Maximum airflow: 670
- Sound pressure level LpA at 3 m: 52
- Motor type: EC
- Impeller type: Centrifugal backward curved blades
- Casing material: Coated steel

	Unit of measurement	Tower-V EC 190
Speed	-	1
Minimum supply voltage	V	230
Maximum supply voltage	V	230
Power supply frequency	Hz	50/60
Rated power	W	102
Unit current	A	0.77
Maximum airflow	m ³ /h	670
Sound pressure level LpA at 3 m	dB(A)	52
Weight	kg	8
Transported air temperature (max)	°C	60
Transported air temperature (min)	°C	-25
Ingress protection rating	-	IPX4
Ingress protection rating of the drive	-	IP55

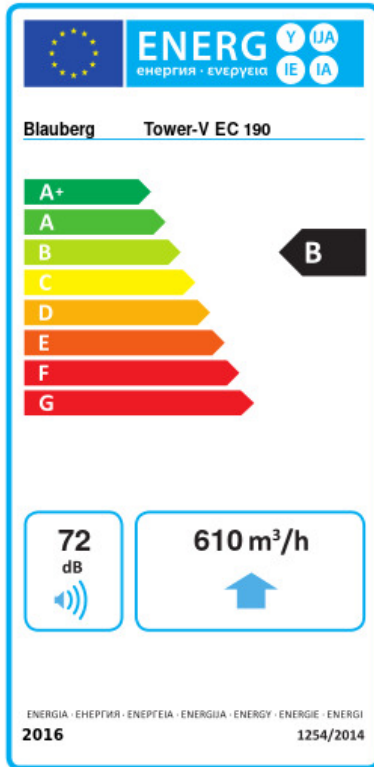


Dimensions

L	L1	H	L2
417	354	166	53



Ecodesign



Trademark	Blaubeurg					
Model	Tower-V EC 190					
Specific energy consumption (SEC) (kWh/(m ² /a))	Cold		Average		Warm	
	-54.4	A+	-27.3	B	-11.8	E
Type of ventilation unit	Unidirectional					
Type of drive installed	Variable speed					
Type of heat recovery system	None					
Maximum flow rate (m ³ /h)	610					
Electric power input (W)	95					
Reference flow rate (m ³ /s)	0.119					
Reference pressure difference (Pa)	50					
Specific power input (SPI) (W/(m ³ /h))	0.075					
Control typology	Local demand control					
Maximum external leakage rates (%)	2.7					
Declared typology	RVU UVU					
Sound power level (dB(A))	72					
The annual electricity consumption (AEC) (kWh/a)	Cold		Average		Warm	
	40		40		40	
The annual heating saved (AHS) (kWh/a)	Cold		Average		Warm	
	5536		2830		1280	

Accessories

EC motors regulators

Name	Photo	Description
CDT E/0-10		Speed control for EC motors