

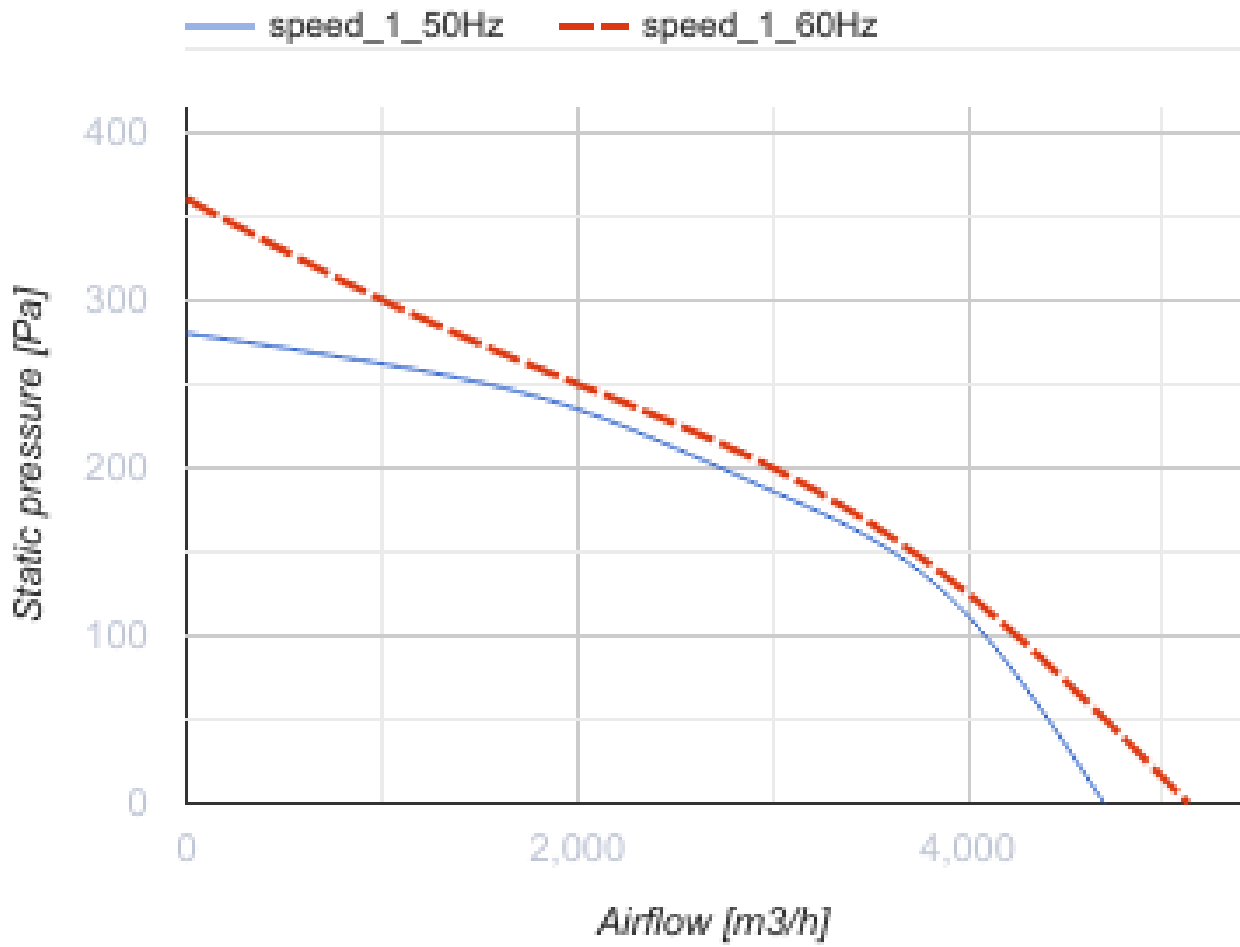
# Tower-V 500 6E

Roof centrifugal fans with vertical air discharge



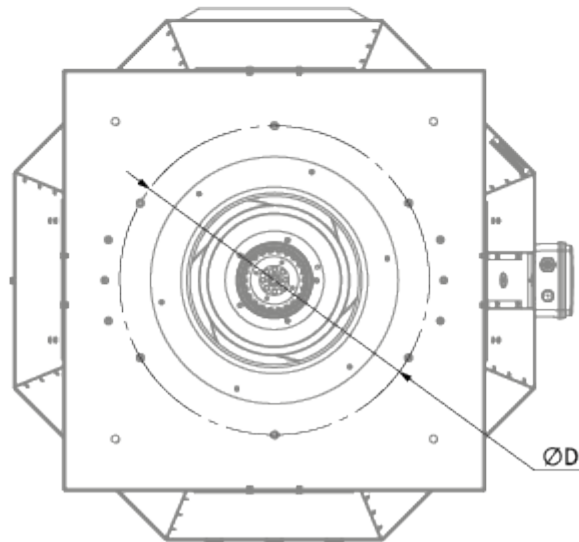
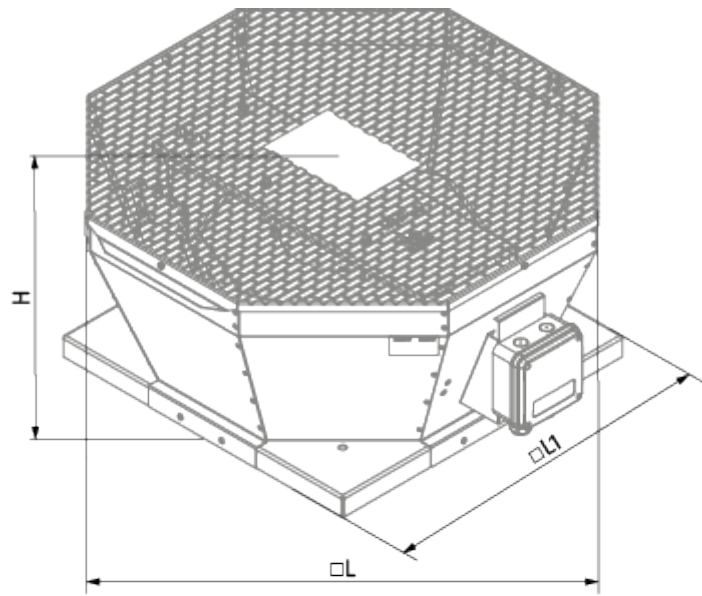
- Maximum airflow: 5680
- Sound pressure level LpA at 3 m: 52
- Motor type: AC
- Impeller type: Centrifugal backward curved blades
- Casing material: Coated steel

	Unit of measurement	Tower-V 500 6E
Speed	-	1
Minimum supply voltage	V	230
Maximum supply voltage	V	230
Power supply frequency	Hz	50/60
Rated power	W	407
Unit current	A	1.81
Maximum airflow	m <sup>3</sup> /h	5680
Sound pressure level LpA at 3 m	dB(A)	52
Weight	kg	52.8
Transported air temperature (max)	°C	60
Transported air temperature (min)	°C	-25
Ingress protection rating	-	IPX4
Ingress protection rating of the drive	-	IP54



### Dimensions

ØD	H	L	L1
445	460	859	668




## Ecodesign

Trademark	Blauberg
Model	Tower-V 500 6E
Type of ventilation unit	Unidirectional
Type of drive installed	External MSD or VSD
Type of heat recovery system	None
Nominal flow rate (m <sup>3</sup> /s)	0.68
Nominal external pressure (Pa)	216
Maximum external leakage rates (%)	2.7
Static efficiency (%)	37.8
Declared typology	NRVU UVU
Sound power level (dB(A))	67
Effective electric power input (kW)	0.397

## Accessories

### Other accessories

Name	Photo	Description
<a href="#">CDT E1.8</a>		Thyristor speed controller