

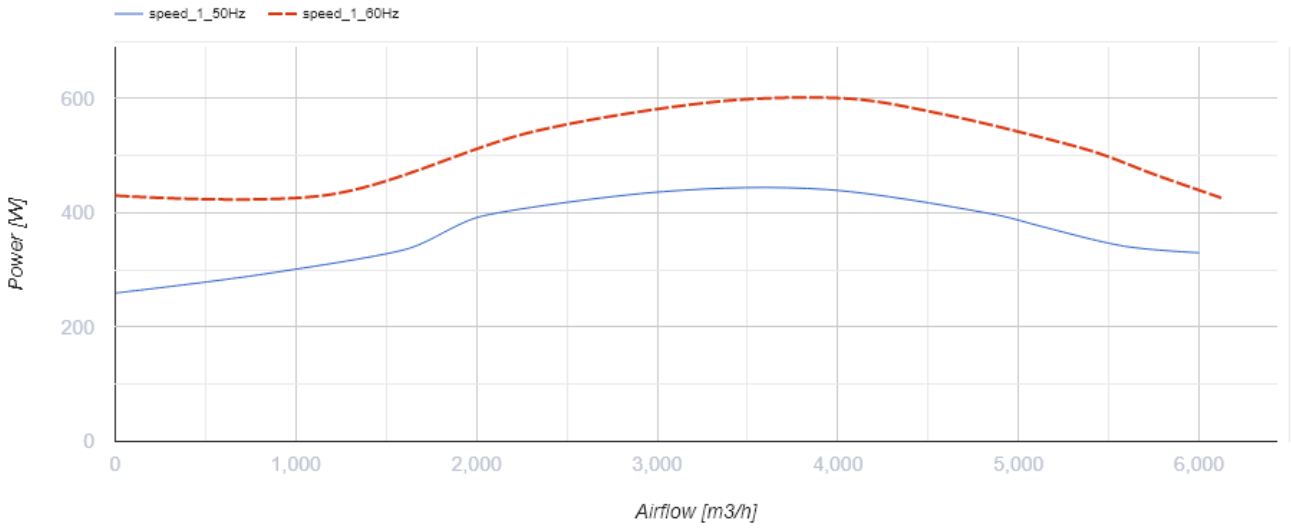
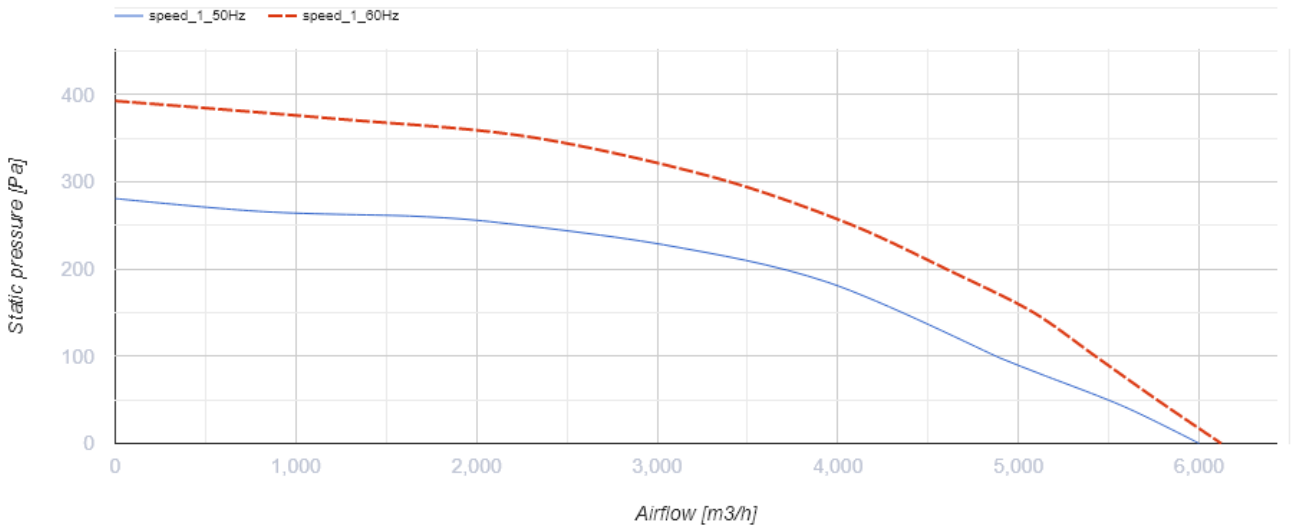
Tower-V 500 6D

Roof centrifugal fans



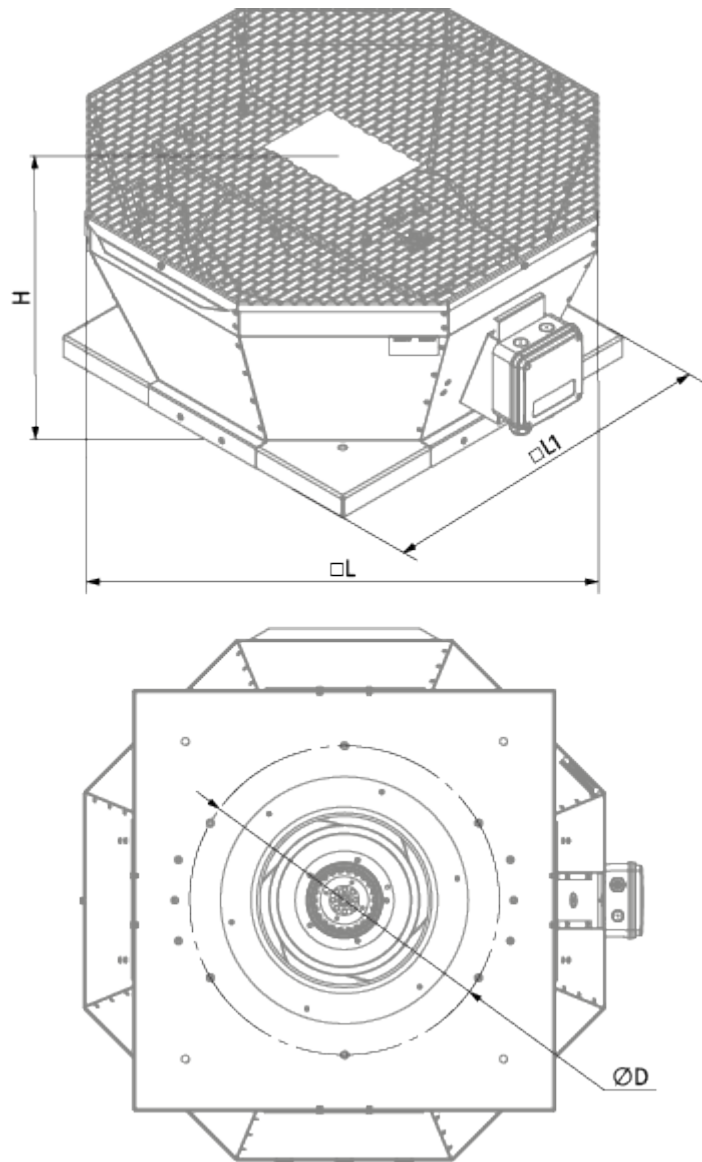
- Maximum airflow: 6000
- Sound pressure level LpA at 3 m: 52
- Motor type: AC
- Impeller type: Centrifugal backward curved blades
- Casing material: Coated steel

	Unit of measurement	Tower-V 500 6D
Speed	-	1
Minimum supply voltage	V	400
Maximum supply voltage	V	400
Power supply frequency	Hz	50/60
Rated power	W	440
Unit current	A	1.23
Maximum airflow	m ³ /h	6000
Sound pressure level LpA at 3 m	dB(A)	52
Weight	kg	52.7
Transported air temperature (max)	°C	60
Transported air temperature (min)	°C	-25
Ingress protection rating	-	IPX4
Ingress protection rating of the drive	-	IP54



Dimensions

ØD	H	L	L1
445	460	859	668



Accessories

Thyristor speed controllers

Name	Photo	Description
CDT E1.8		Thyristor speed controller