

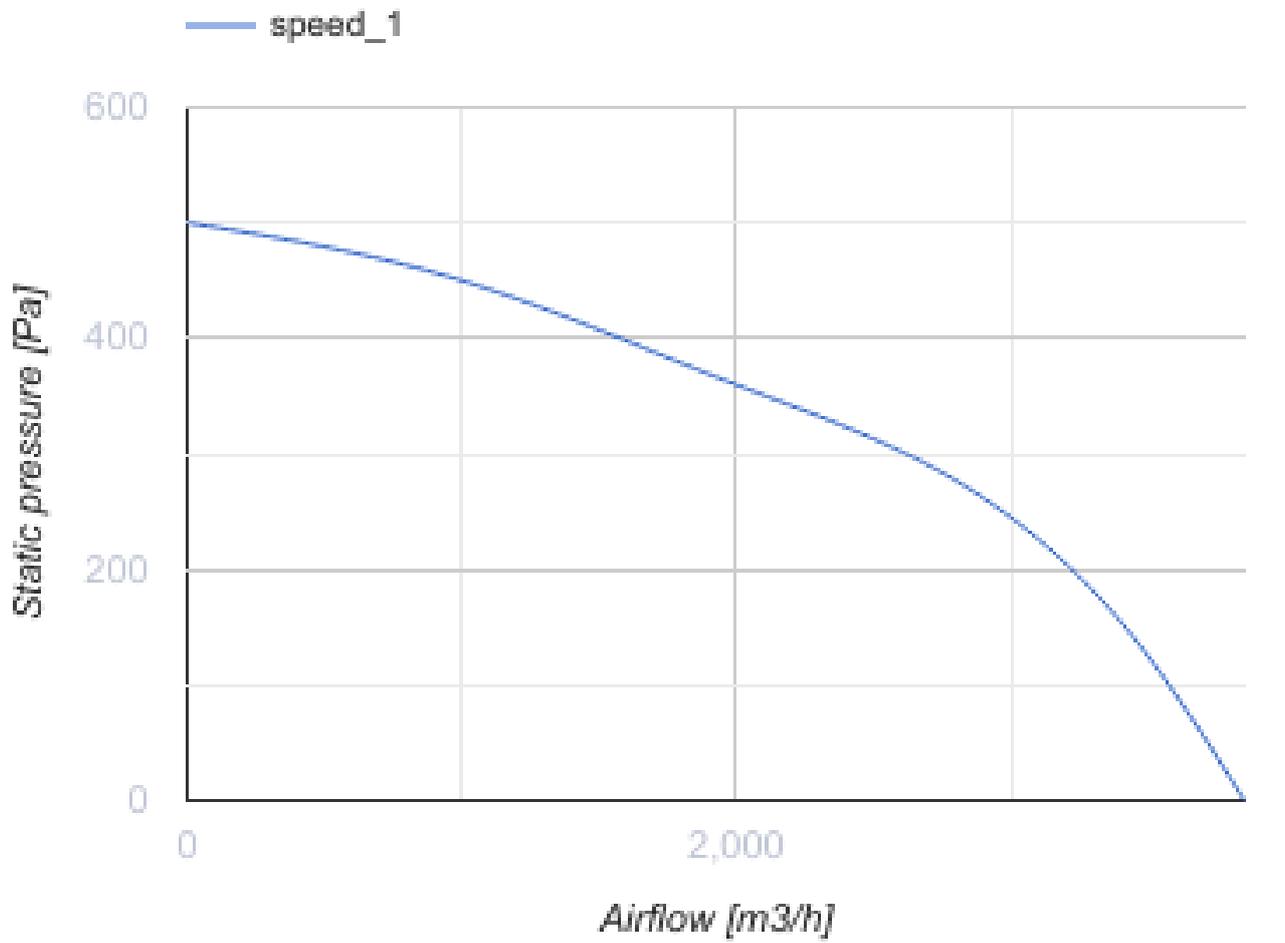
# Tower-V 450 4D

Roof centrifugal fans

- Maximum airflow: 5920
- Sound pressure level LpA at 3 m: 57
- Motor type: AC
- Impeller type: Centrifugal backward curved blades
- Casing material: Coated steel

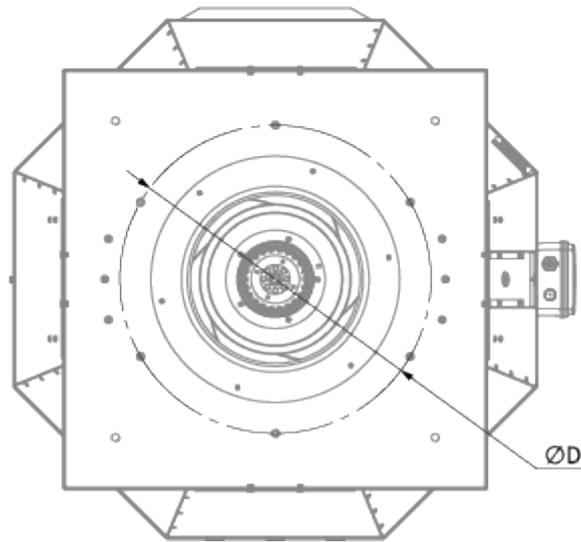
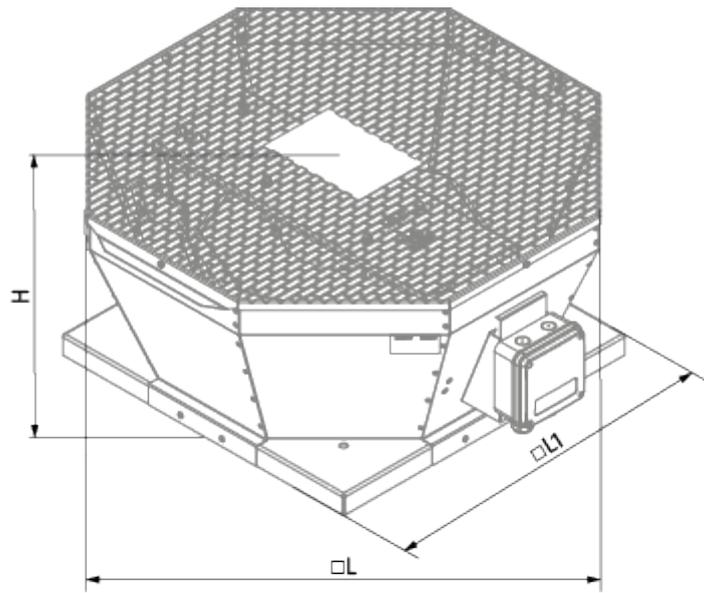


	Unit of measurement	Tower-V 450 4D
Speed	-	1
Minimum supply voltage	V	400
Maximum supply voltage	V	400
Power supply frequency	Hz	50
Rated power	W	755
Unit current	A	1.5
Maximum airflow	m <sup>3</sup> /h	5920
Sound pressure level LpA at 3 m	dB(A)	57
Weight	kg	45.5
Transported air temperature (max)	°C	50
Transported air temperature (min)	°C	-30
Ingress protection rating	-	IPX4
Ingress protection rating of the drive	-	IP54



## Dimensions

ØD	H	L	L1
438	425	738	668



## Ecodesign

Trademark	Blauberg
Model	Tower-V 450 4D
Type of ventilation unit	Unidirectional
Type of drive installed	External MSD or VSD
Type of heat recovery system	None
Nominal flow rate (m <sup>3</sup> /s)	0.573
Nominal external pressure (Pa)	386
Maximum external leakage rates (%)	2.7
Static efficiency (%)	48.1
Declared typology	NRVU UVU
Sound power level (dB(A))	73
Effective electric power input (kW)	0.469

## Accessories

### Thyristor speed controllers

Name	Photo	Description
<a href="#">CDT E1.8</a>		Thyristor speed controller