

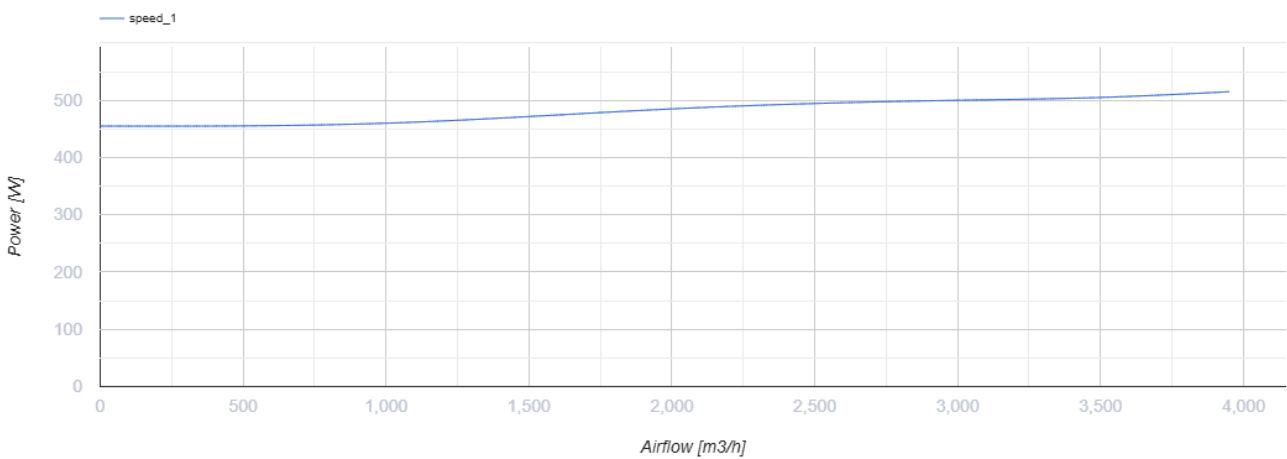
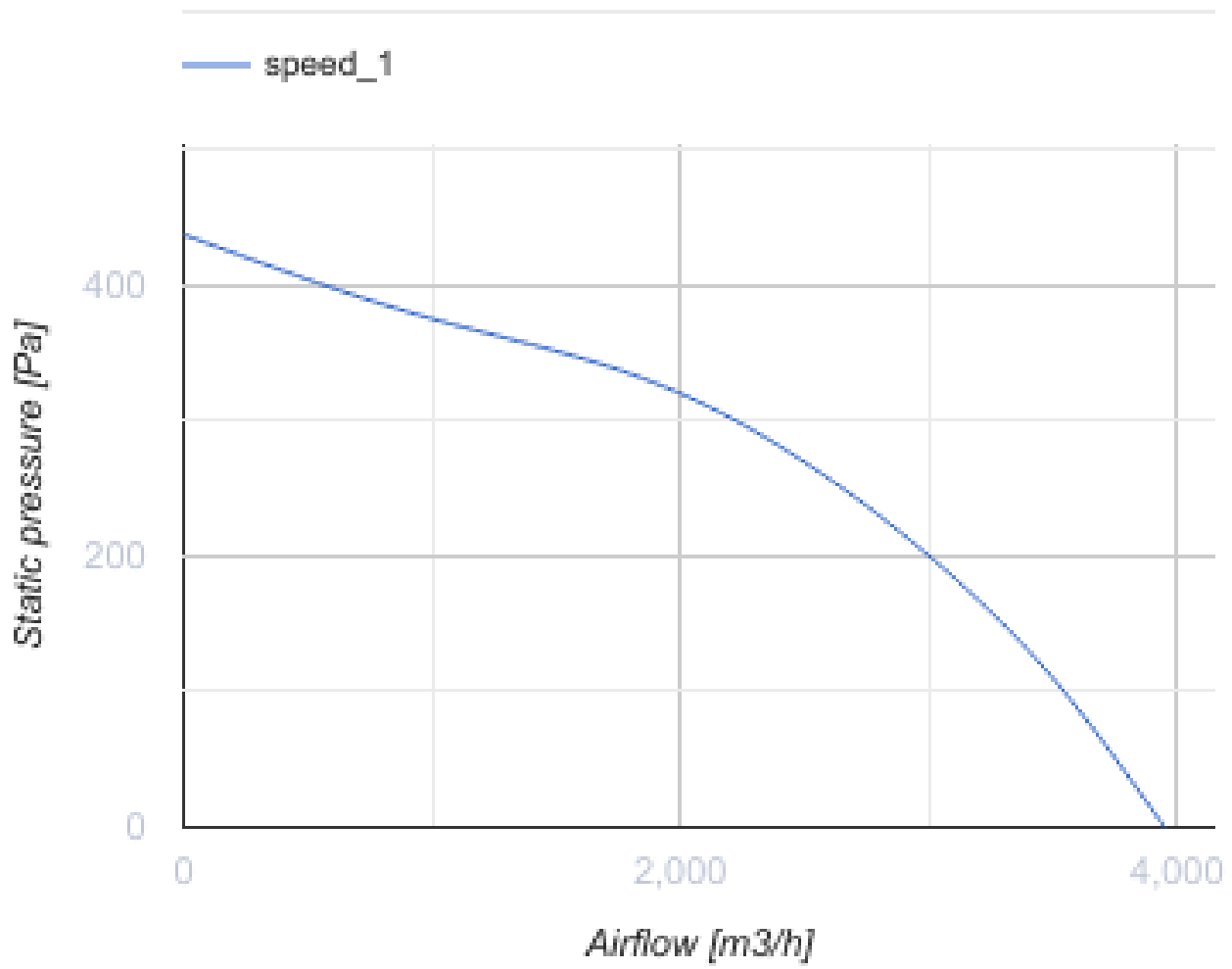
# Tower-V 400 4D

Roof centrifugal fans with vertical air discharge



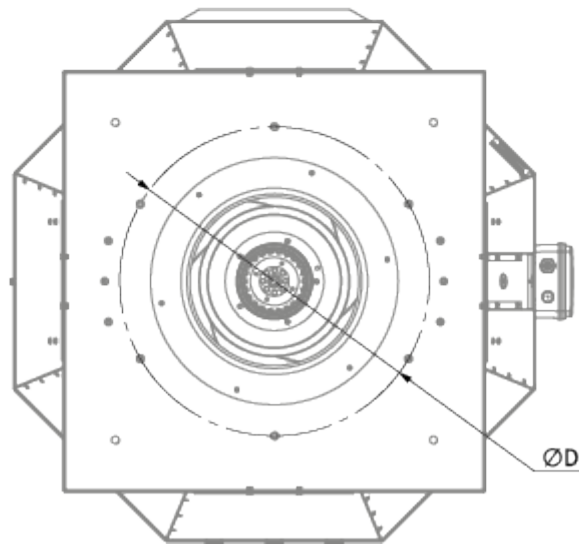
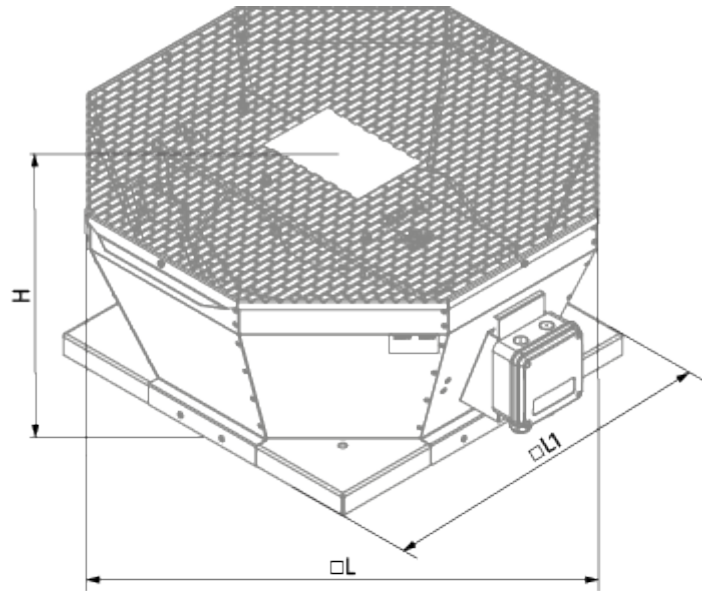
- Maximum airflow: 3950
- Sound pressure level LpA at 3 m: 55
- Motor type: AC
- Impeller type: Centrifugal backward curved blades
- Casing material: Coated steel

|  | Unit of measurement | Tower-V 400 4D |
|--|---------------------|----------------|
| Speed                                  | -                   | 1              |
| Minimum supply voltage                 | V                   | 400            |
| Maximum supply voltage                 | V                   | 400            |
| Power supply frequency                 | Hz                  | 50             |
| Rated power                            | W                   | 420            |
| Unit current                           | A                   | 0.99           |
| Maximum airflow                        | m <sup>3</sup> /h   | 3950           |
| Sound pressure level LpA at 3 m        | dB(A)               | 55             |
| Weight                                 | kg                  | 35             |
| Transported air temperature (max)      | °C                  | 60             |
| Transported air temperature (min)      | °C                  | -30            |
| Ingress protection rating              | -                   | IPX4           |
| Ingress protection rating of the drive | -                   | IP54           |



## Dimensions

| ØD  | H   | L   | L1  |
|-----|-----|-----|-----|
| 438 | 375 | 738 | 598 |




## Ecodesign

|                                       |                     |
|---------------------------------------|---------------------|
| Trademark                             | Blauberg            |
| Model                                 | Tower-V 400 4D      |
| Type of ventilation unit              | Unidirectional      |
| Type of drive installed               | External MSD or VSD |
| Type of heat recovery system          | None                |
| Nominal flow rate (m <sup>3</sup> /s) | 0.559               |
| Nominal external pressure (Pa)        | 348                 |
| Maximum external leakage rates (%)    | 2.7                 |
| Static efficiency (%)                 | 51.5                |
| Declared typology                     | NRVU UVU            |
| Sound power level (dB(A))             | 72                  |
| Effective electric power input (kW)   | 0.385               |

## Accessories

### Other accessories

| Name                     | Photo   | Description                |
|--------------------------|---|----------------------------|
| <a href="#">CDT E1.8</a> |  | Thyristor speed controller |