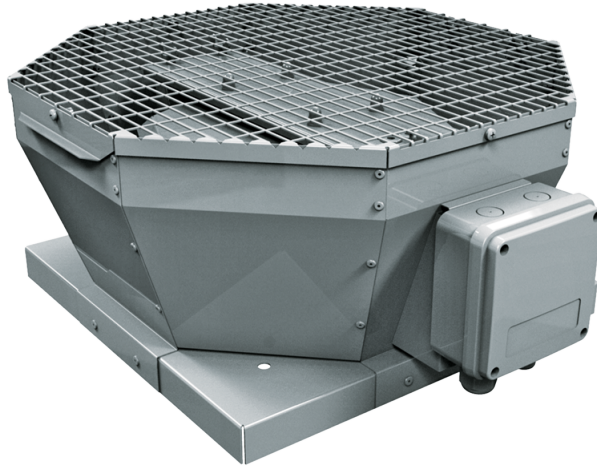


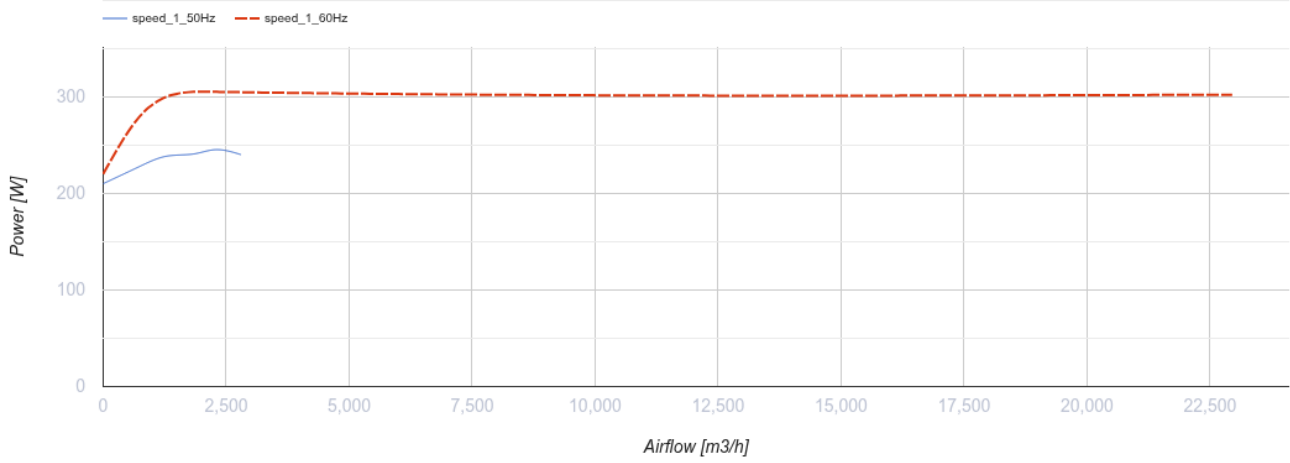
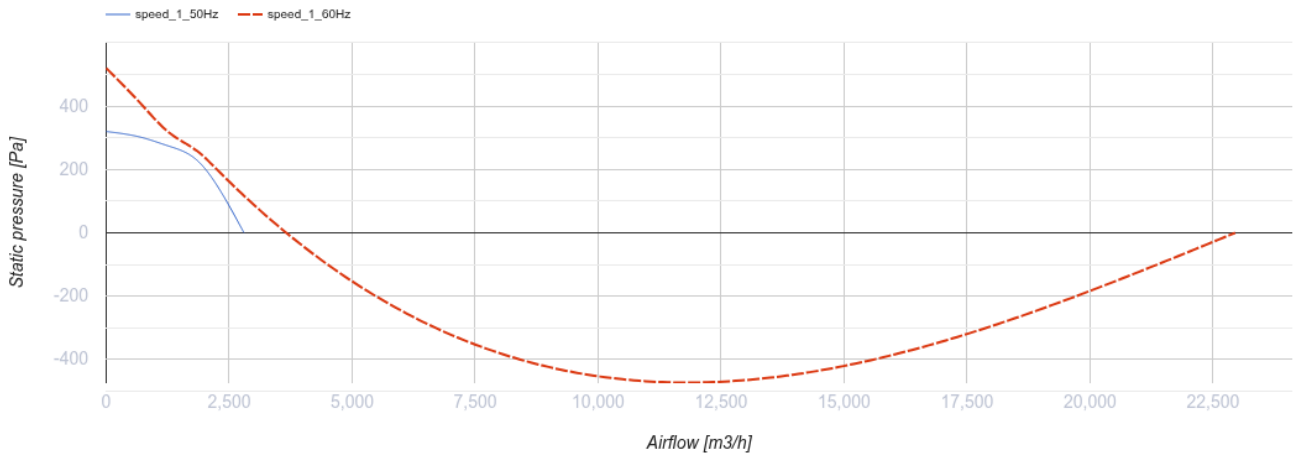
# Tower-V 355 4E

Roof centrifugal fans with vertical air discharge



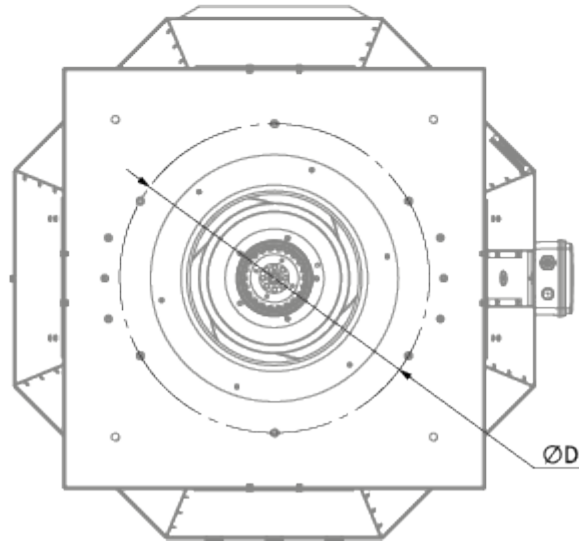
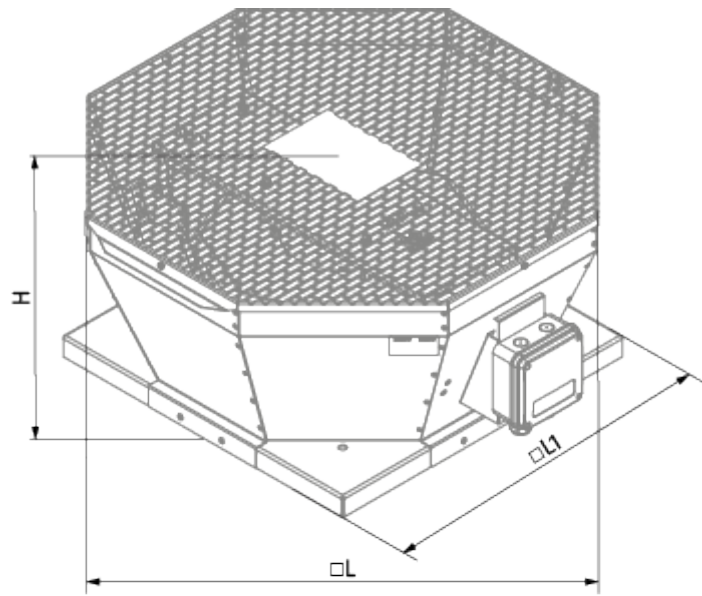
- Sound pressure level LpA at 3 m: 51
- Impeller type: Centrifugal impeller with backward curved blades
- Casing material: Coated steel

	Unit of measurement	Tower-V 355 4E
Phases	-	1
Minimum supply voltage	V	230
Maximum supply voltage	V	230
Power supply frequency	Hz	50/60
Rated power	W	219
Unit current	A	0.96
Maximum airflow	m <sup>3</sup> /h	2480
Rotation speed at 50hz	-	1420
Sound pressure level LpA at 3 m	dB(A)	51
Weight	kg	26
Transported air temperature (max)	°C	50
Transported air temperature (min)	°C	-25
Ingress protection rating	-	IPX4
Ingress protection rating of the drive	-	IP54
Impeller material	-	Aluminium
Article	-	8017773



## Dimensions

ØD	H	L	L1
438	300	738	598



## Ecodesign

Trademark	Blauberg
Model	Tower-V 355 4E
Type of ventilation unit	Unidirectional
Type of drive installed	External MSD or VSD
Type of heat recovery system	None
Nominal external pressure (Pa)	264
Maximum external leakage rates (%)	2.7
Static efficiency (%)	46
Declared typology	NRVU UVU
Effective electric power input (kW)	0.224
Sound power level (dB(A))	66