

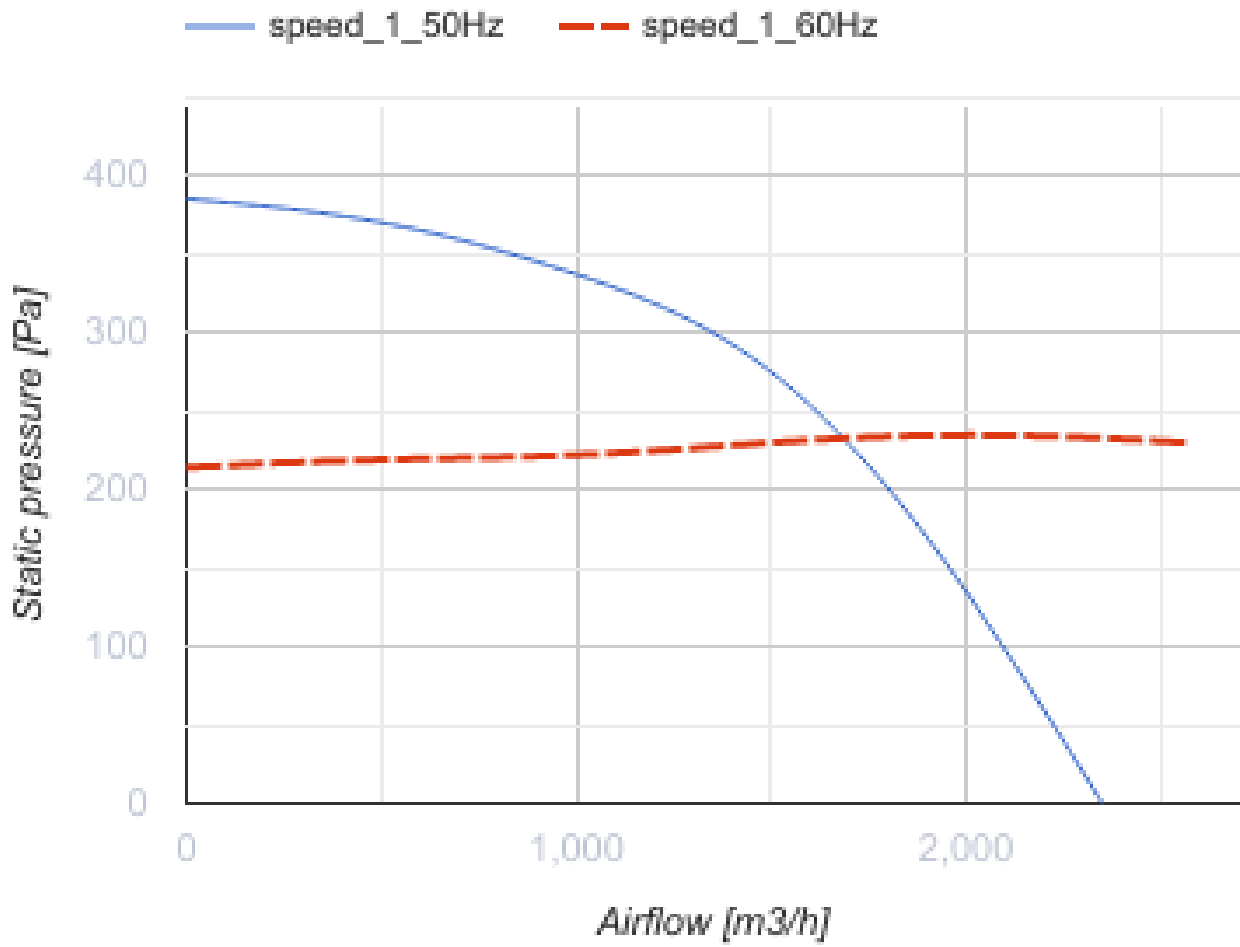
Tower-V 355 4D

Roof centrifugal fans with vertical air discharge



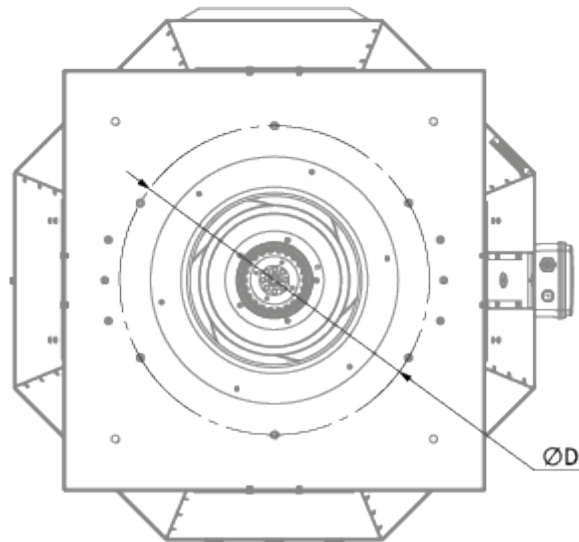
- Maximum airflow: 3290
- Sound pressure level LpA at 3 m: 52
- Motor type: AC
- Impeller type: Centrifugal backward curved blades
- Casing material: Coated steel

	Unit of measurement	Tower-V 355 4D
Speed	-	1
Minimum supply voltage	V	400
Maximum supply voltage	V	400
Power supply frequency	Hz	50/60
Rated power	W	264
Unit current	A	0.58
Maximum airflow	m ³ /h	3290
Sound pressure level LpA at 3 m	dB(A)	52
Weight	kg	30.3
Transported air temperature (max)	°C	60
Transported air temperature (min)	°C	-30
Ingress protection rating	-	IPX4
Ingress protection rating of the drive	-	IP54



Dimensions

ØD	H	L	L1
438	300	738	598



Ecodesign

Trademark	Blauberg
Model	Tower-V 355 4D
Type of ventilation unit	Unidirectional
Type of drive installed	External MSD or VSD
Type of heat recovery system	None
Nominal flow rate (m ³ /s)	0.479
Nominal external pressure (Pa)	220
Maximum external leakage rates (%)	2.7
Static efficiency (%)	47.1
Declared typology	NRVU UVU
Sound power level (dB(A))	73
Effective electric power input (kW)	0.228

Accessories

Other accessories

Name	Photo	Description
CDT E1.8		Thyristor speed controller