

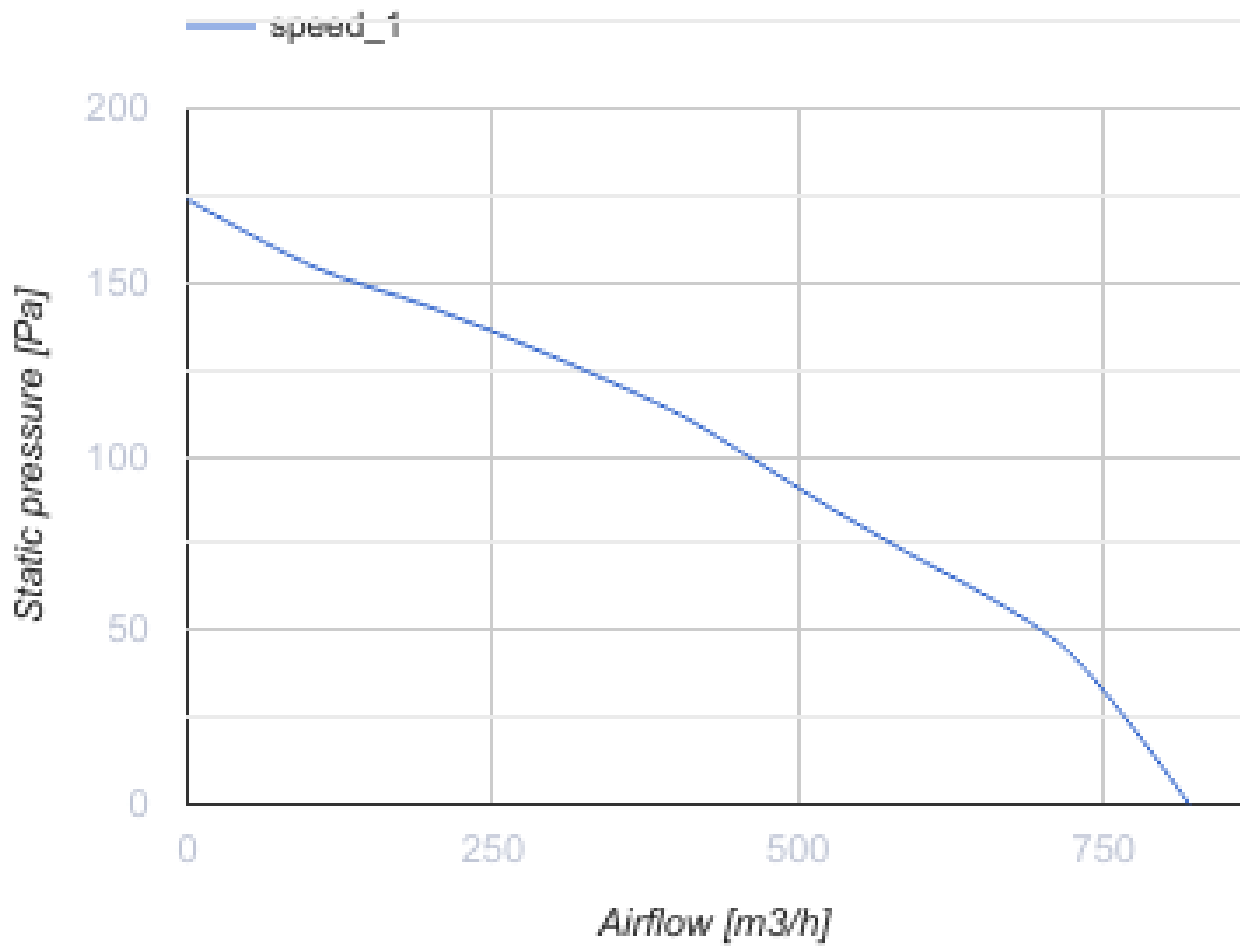
# Tower-V 250 4E

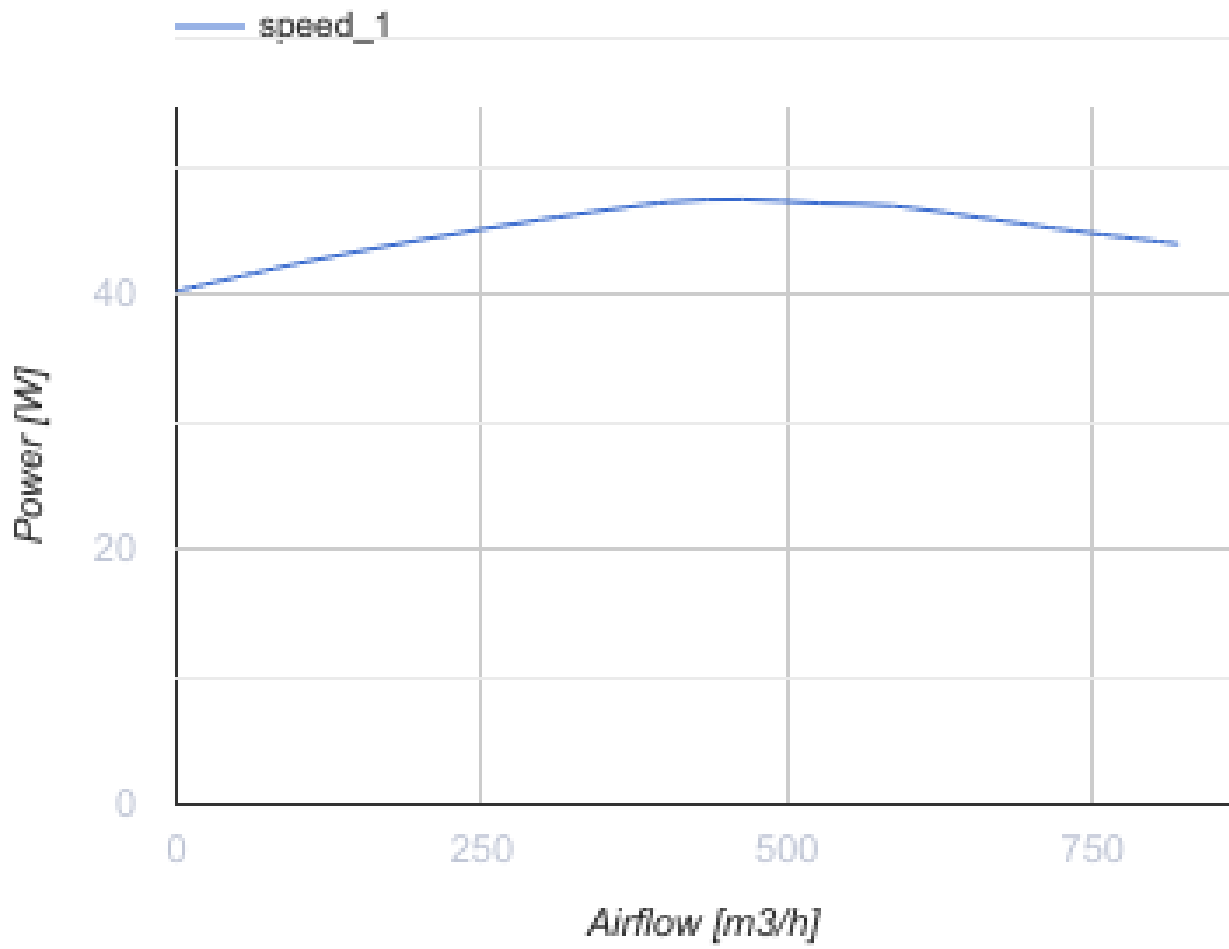
Roof centrifugal fans

- Maximum airflow: 820
- Sound pressure level LpA at 3 m: 46
- Motor type: AC
- Impeller type: Centrifugal backward curved blades
- Casing material: Coated steel



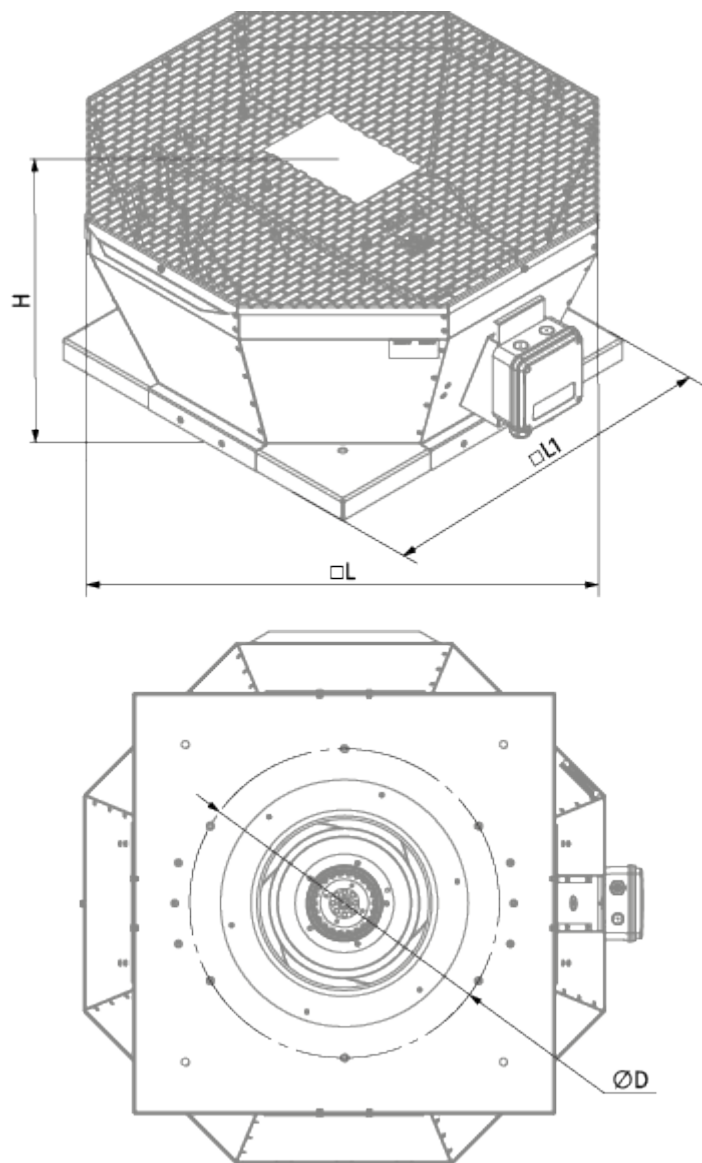
	Unit of measurement	Tower-V 250 4E
Speed	-	1
Minimum supply voltage	V	230
Maximum supply voltage	V	230
Power supply frequency	Hz	50
Rated power	W	48
Unit current	A	0.23
Maximum airflow	m <sup>3</sup> /h	820
Sound pressure level LpA at 3 m	dB(A)	46
Weight	kg	12.1
Transported air temperature (max)	°C	50
Transported air temperature (min)	°C	-25
Ingress protection rating	-	IPX4
Ingress protection rating of the drive	-	IP44






### Dimensions

ØD	H	L	L1
285	240	481	425



## Accessories

### Thyristor speed controllers

Name	Photo	Description
<a href="#">CDT E1.8</a>		Thyristor speed controller