

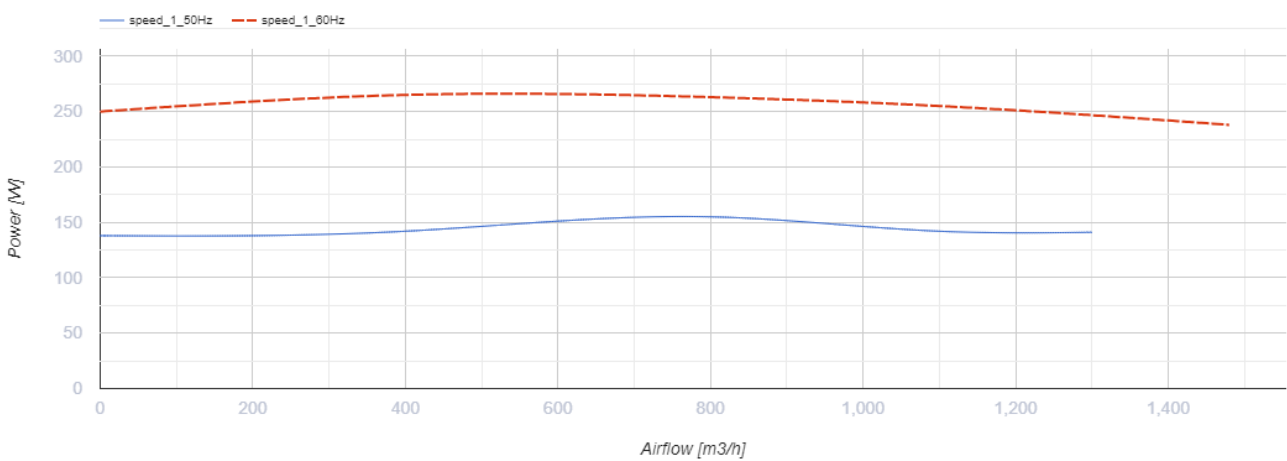
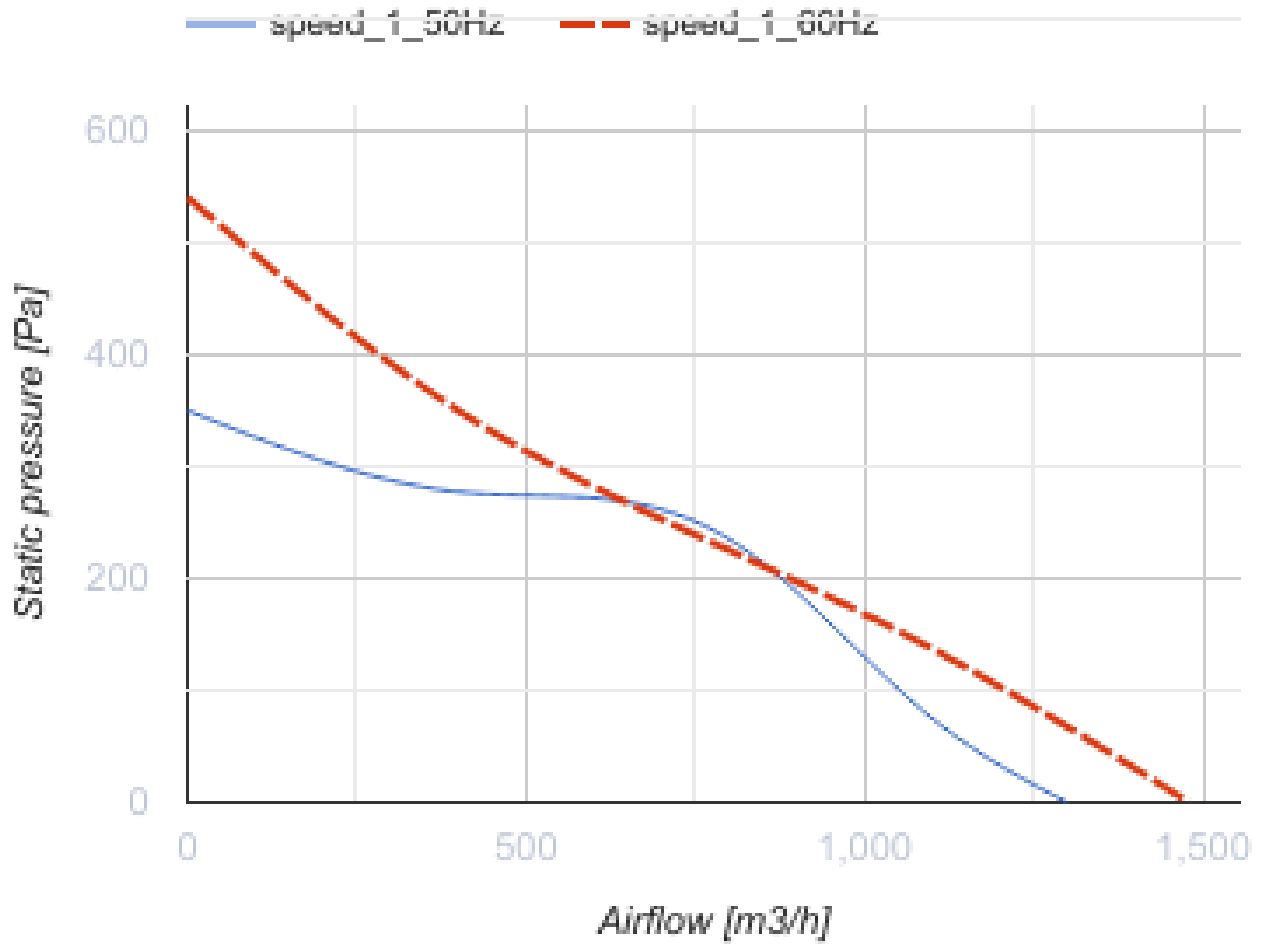
Tower-V 250 2E

Roof centrifugal fans

- Maximum airflow: 1450
- Sound pressure level LpA at 3 m: 54
- Motor type: AC
- Impeller type: Centrifugal backward curved blades
- Casing material: Coated steel

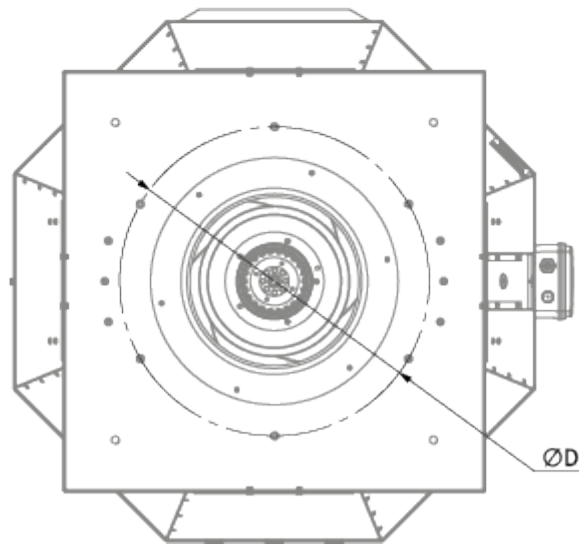
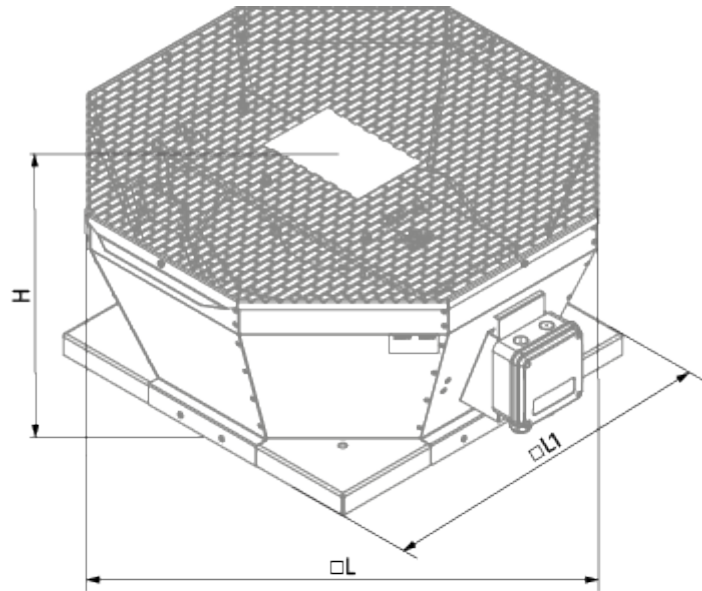


	Unit of measurement	Tower-V 250 2E
Speed	-	1
Minimum supply voltage	V	230
Maximum supply voltage	V	230
Power supply frequency	Hz	50/60
Rated power	W	184
Unit current	A	0.81
Maximum airflow	m ³ /h	1450
Sound pressure level LpA at 3 m	dB(A)	54
Weight	kg	12.7
Transported air temperature (max)	°C	50
Transported air temperature (min)	°C	-25
Ingress protection rating	-	IPX4
Ingress protection rating of the drive	-	IP44



Dimensions

ØD	H	L	L1
285	240	481	425



Ecodesign

Trademark	Blauberg
Model	Tower-V 250 2E
Type of ventilation unit	Unidirectional
Type of drive installed	External MSD or VSD
Type of heat recovery system	None
Nominal flow rate (m ³ /s)	0.194
Nominal external pressure (Pa)	211
Maximum external leakage rates (%)	2.7
Static efficiency (%)	20.1
Declared typology	NRVU UVU
Sound power level (dB(A))	85
Effective electric power input (kW)	0.208

Accessories

Thyristor speed controllers

Name	Photo	Description
CDT E1.8		Thyristor speed controller