

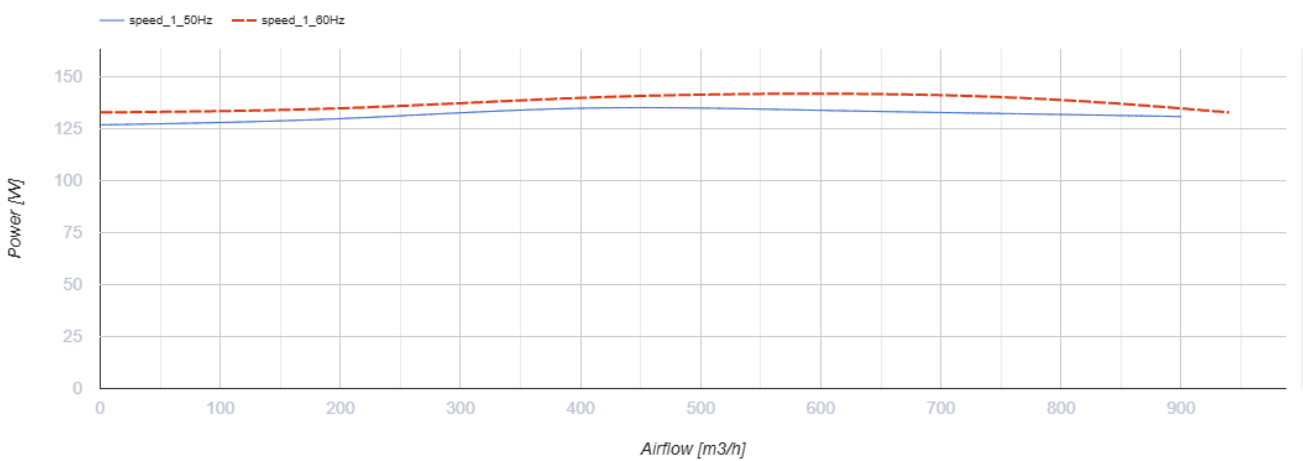
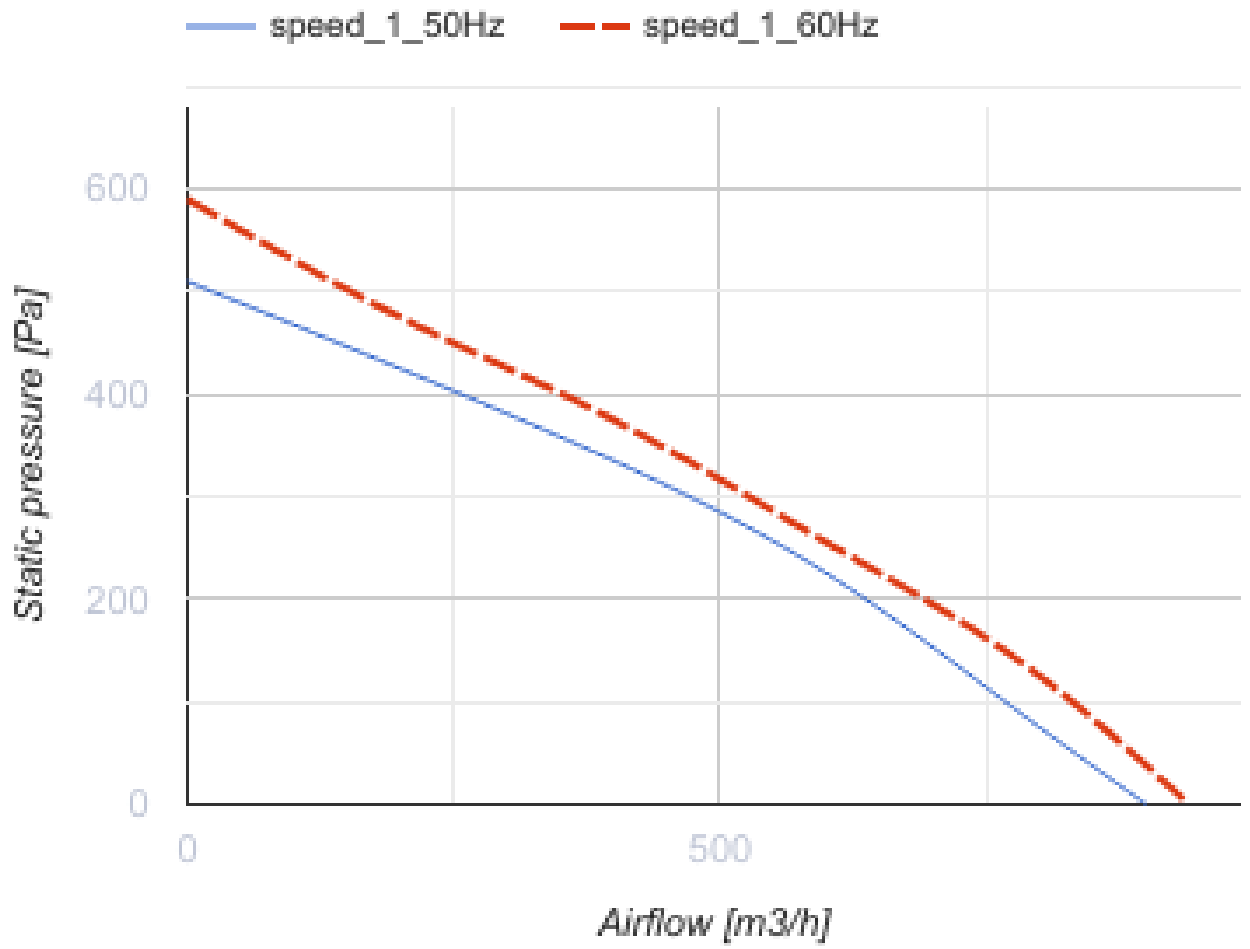
# Tower-V 225 2E

Roof centrifugal fans with vertical air discharge

- Maximum airflow: 915
- Sound pressure level LpA at 3 m: 51
- Motor type: AC
- Impeller type: Centrifugal backward curved blades
- Casing material: Coated steel

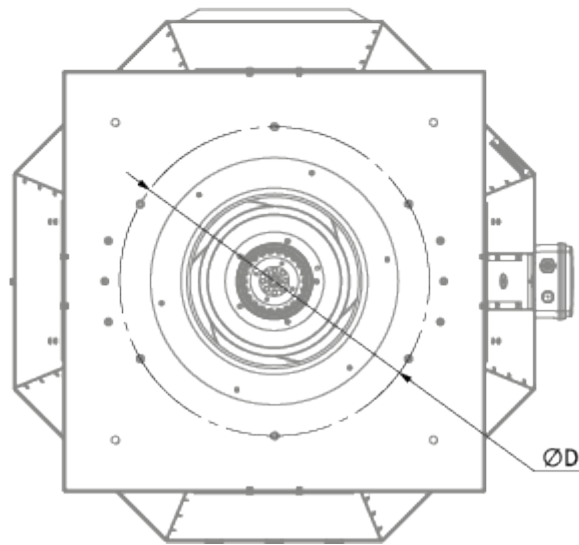
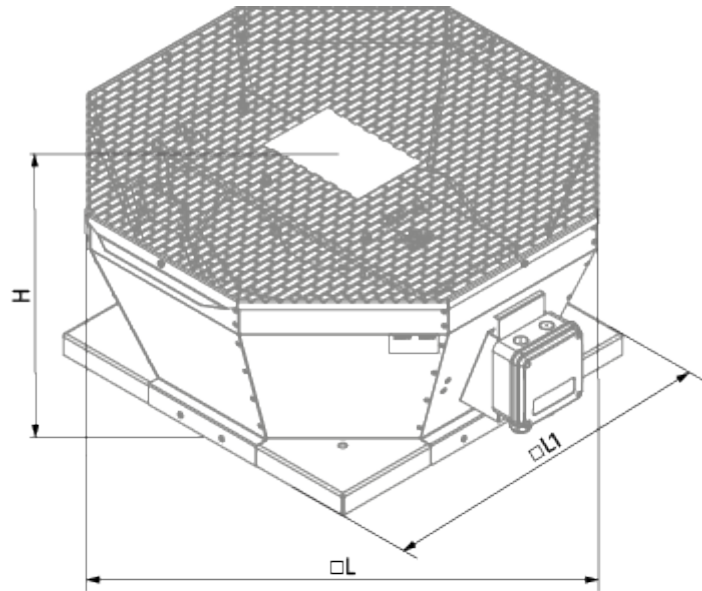


|  | Unit of measurement | Tower-V 225 2E |
|--|---------------------|----------------|
| Speed                                  | -                   | 1              |
| Minimum supply voltage                 | V                   | 230            |
| Maximum supply voltage                 | V                   | 230            |
| Power supply frequency                 | Hz                  | 50/60          |
| Rated power                            | W                   | 123            |
| Unit current                           | A                   | 0.54           |
| Maximum airflow                        | m <sup>3</sup> /h   | 915            |
| Sound pressure level LpA at 3 m        | dB(A)               | 51             |
| Weight                                 | kg                  | 9.2            |
| Transported air temperature (max)      | °C                  | 50             |
| Transported air temperature (min)      | °C                  | -25            |
| Ingress protection rating              | -                   | IPX4           |
| Ingress protection rating of the drive | -                   | IP44           |

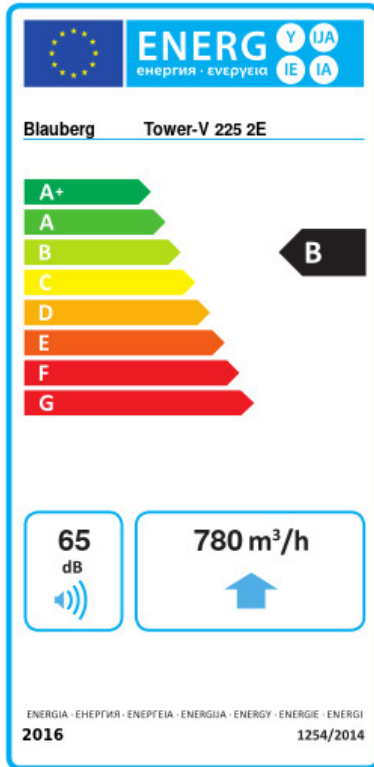


## Dimensions

| ØD  | H   | L   | L1  |
|-----|-----|-----|-----|
| 210 | 215 | 417 | 355 |



## Ecodesign



|  |                      |    |         |   |      |   |
|--|----------------------|----|---------|---|------|---|
| Trademark  | Blaubeerg            |    |         |   |      |   |
| Model  | Tower-V 225 2E       |    |         |   |      |   |
| Specific energy consumption (SEC) (kWh/(m²/a))   | Cold                 |    | Average |   | Warm |   |
|  | -53.6                | A+ | -26.5   | B | -11  | E |
| Type of ventilation unit                         | Unidirectional       |    |         |   |      |   |
| Type of drive installed                          | Variable speed       |    |         |   |      |   |
| Type of heat recovery system                     | None                 |    |         |   |      |   |
| Maximum flow rate (m³/h)                         | 780                  |    |         |   |      |   |
| Electric power input (W)                         | 135                  |    |         |   |      |   |
| Reference flow rate (m³/s)                       | 0.152                |    |         |   |      |   |
| Reference pressure difference (Pa)               | 50                   |    |         |   |      |   |
| Specific power input (SPI) (W/(m³/h))            | 0.136                |    |         |   |      |   |
| Control typology                                 | Local demand control |    |         |   |      |   |
| Maximum external leakage rates (%)               | 2.7                  |    |         |   |      |   |
| Declared typology                                | RVU UVU              |    |         |   |      |   |
| Sound power level (dB(A))                        | 65                   |    |         |   |      |   |
| The annual electricity consumption (AEC) (kWh/a) | Cold                 |    | Average |   | Warm |   |
|  | 72                   |    | 72      |   | 72   |   |
| The annual heating saved (AHS) (kWh/a)           | Cold                 |    | Average |   | Warm |   |
|  | 5536                 |    | 2830    |   | 1280 |   |

## Accessories

### Other accessories

| Name                     | Photo | Description                |
|--------------------------|-------|----------------------------|
| <a href="#">CDT E1.8</a> |       | Thyristor speed controller |