

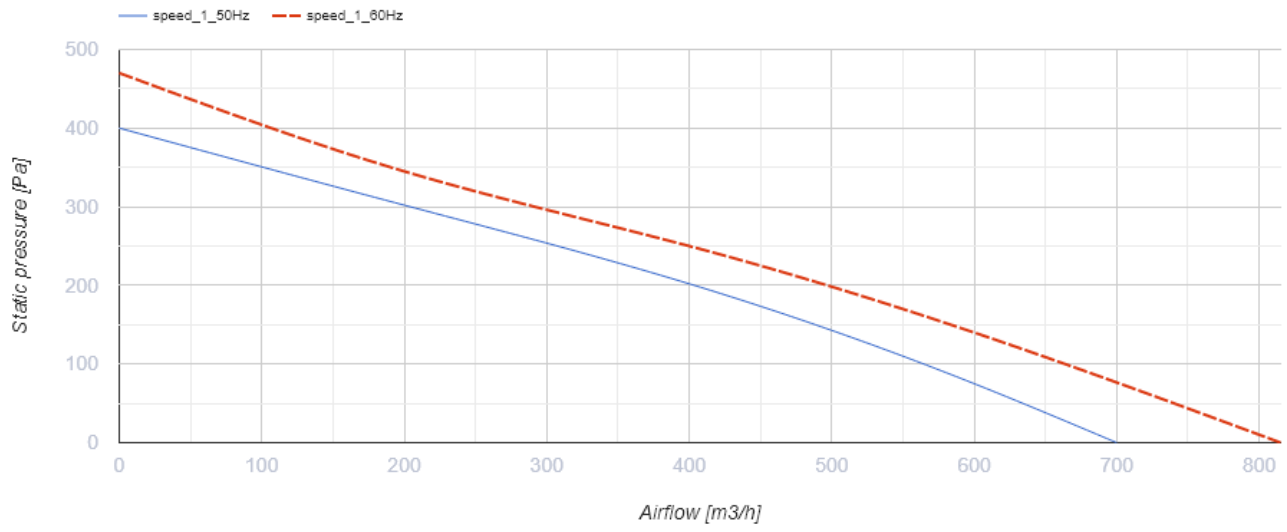
Tower-V 220 2E

Roof centrifugal fans

- Maximum airflow: 880
- Sound pressure level LpA at 3 m: 50
- Motor type: AC
- Impeller type: Centrifugal backward curved blades
- Casing material: Coated steel

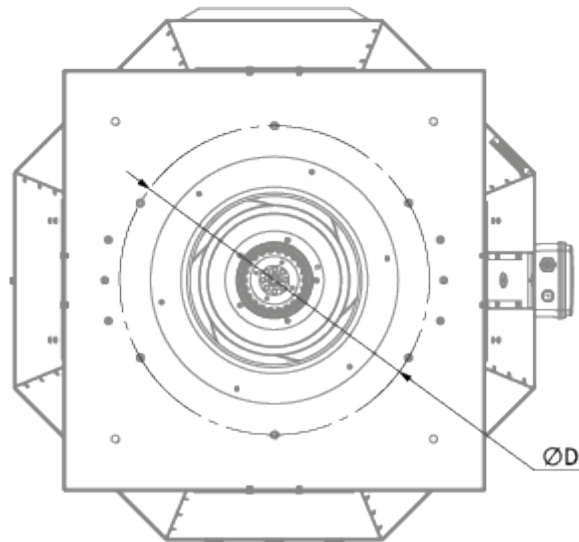


	Unit of measurement	Tower-V 220 2E
Speed	-	1
Minimum supply voltage	V	230
Maximum supply voltage	V	230
Power supply frequency	Hz	50/60
Rated power	W	108
Unit current	A	0.49
Maximum airflow	m ³ /h	880
Sound pressure level LpA at 3 m	dB(A)	50
Weight	kg	7
Transported air temperature (max)	°C	50
Transported air temperature (min)	°C	-25
Ingress protection rating	-	IPX4
Ingress protection rating of the drive	-	IP44

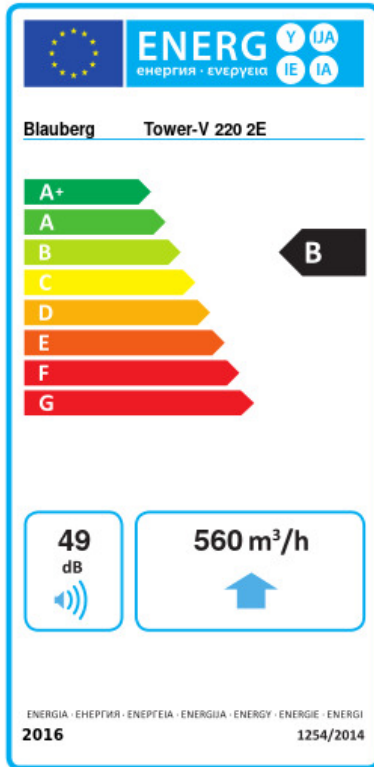


Dimensions

ØD	H	L	L1
213	190	417	355



Ecodesign



Trademark	Blaubeerg					
Model	Tower-V 220 2E					
Specific energy consumption (SEC) (kWh/(m ² /a))	Cold		Average		Warm	
	-53.8	A+	-26.7	B	-11.2	E
Type of ventilation unit	Unidirectional					
Type of drive installed	Variable speed					
Type of heat recovery system	None					
Maximum flow rate (m ³ /h)	560					
Electric power input (W)	85					
Reference flow rate (m ³ /s)	0.109					
Reference pressure difference (Pa)	50					
Specific power input (SPI) (W/(m ³ /h))	0.119					
Control typology	Local demand control					
Maximum external leakage rates (%)	2.7					
Declared typology	RVU UVU					
Sound power level (dB(A))	49					
The annual electricity consumption (AEC) (kWh/a)	Cold		Average		Warm	
	63		63		63	
The annual heating saved (AHS) (kWh/a)	Cold		Average		Warm	
	5536		2830		1280	

Accessories

Thyristor speed controllers

Name	Photo	Description
CDT E1.8		Thyristor speed controller