

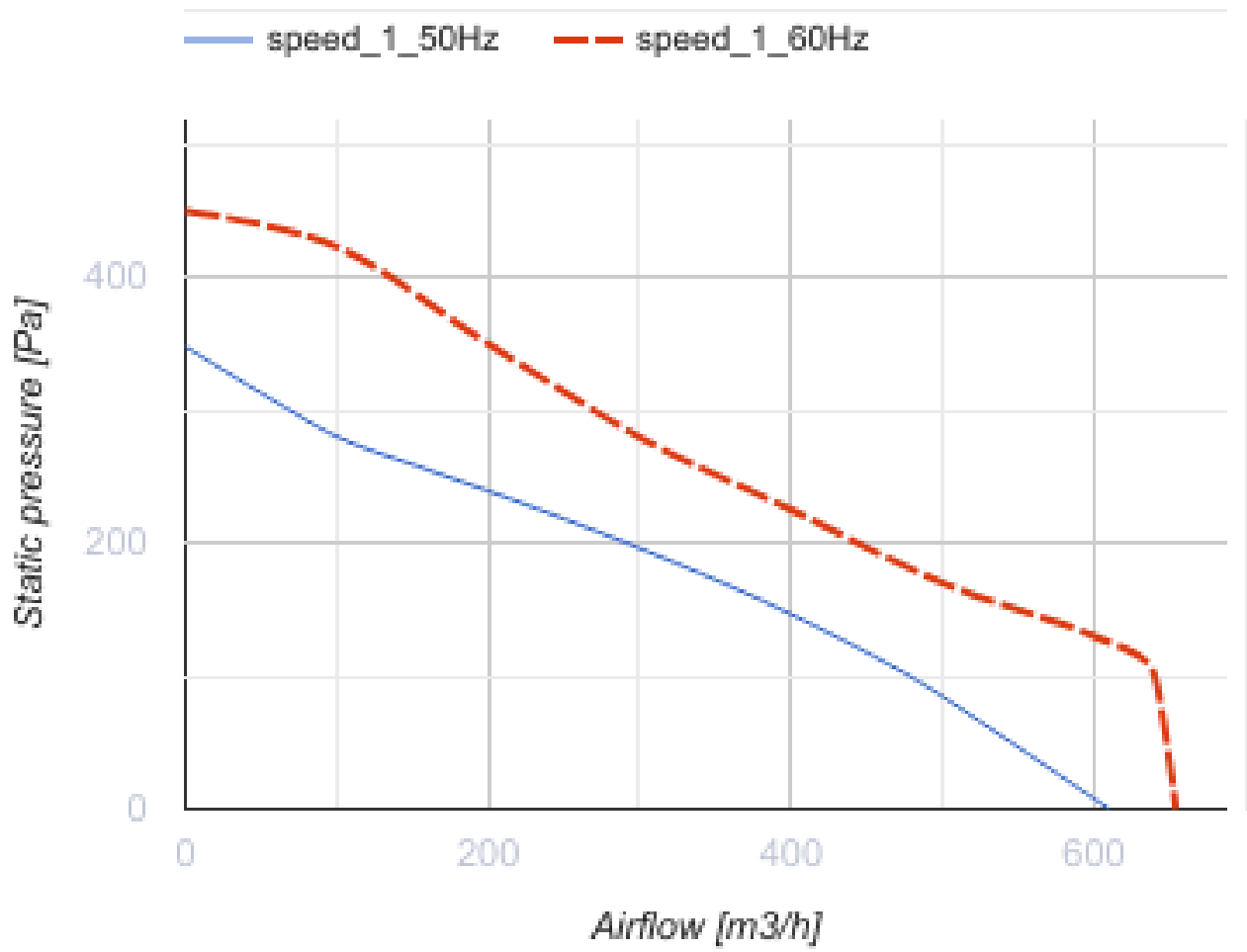
Tower-V 190 2E

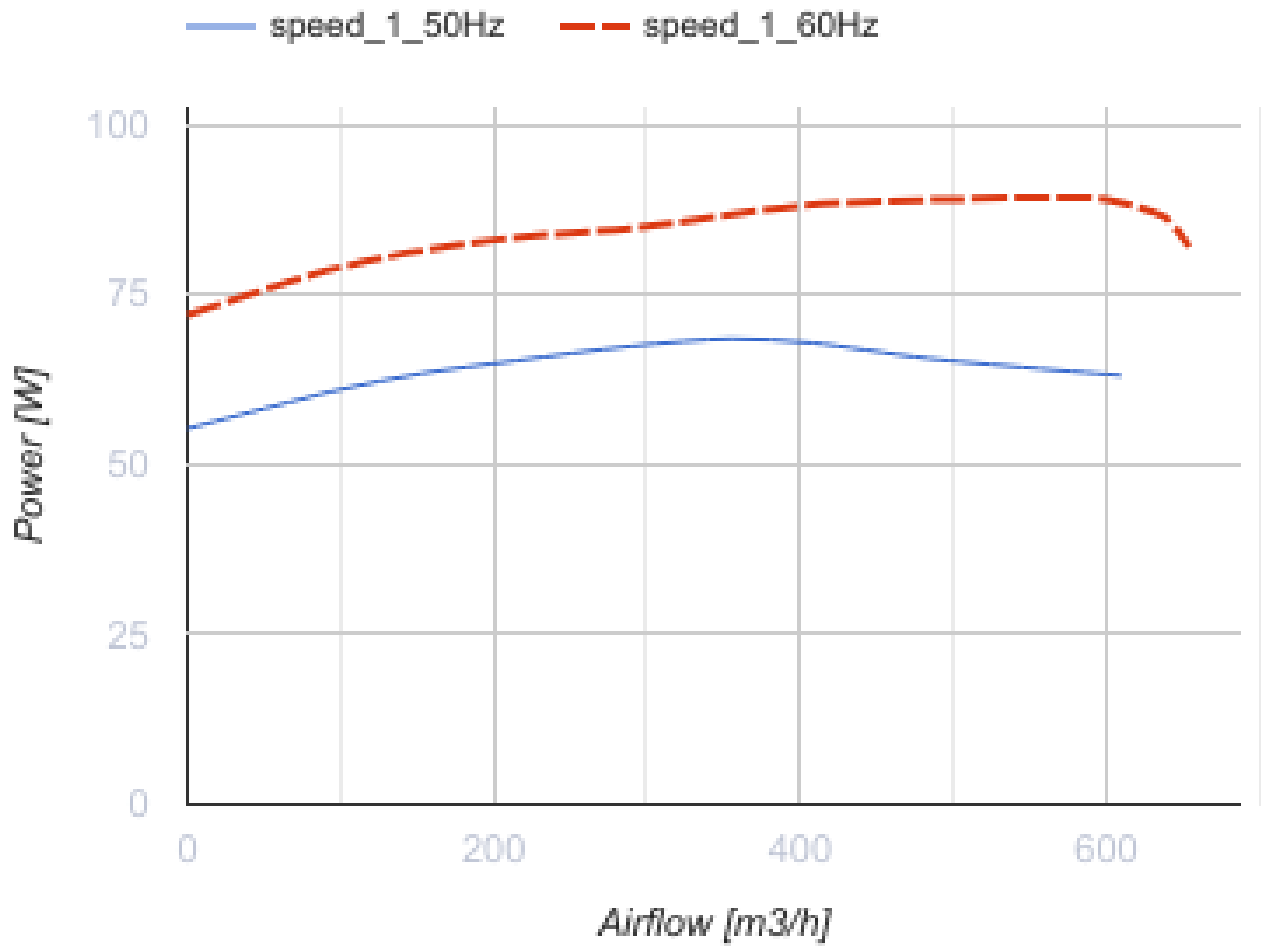
Roof centrifugal fans

- Maximum airflow: 610
- Sound pressure level LpA at 3 m: 48
- Motor type: AC
- Impeller type: Centrifugal backward curved blades
- Casing material: Coated steel



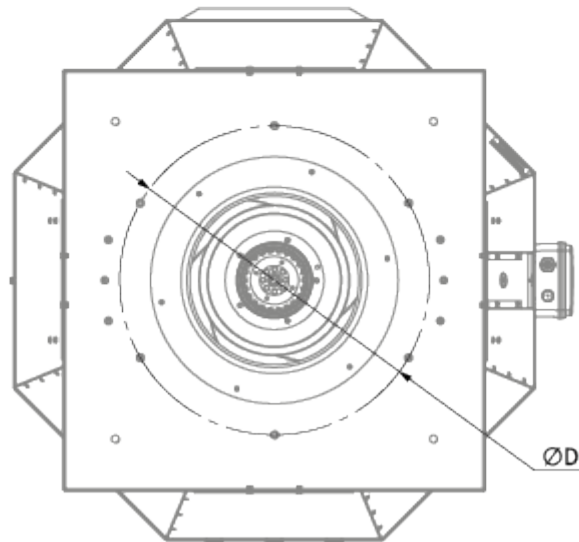
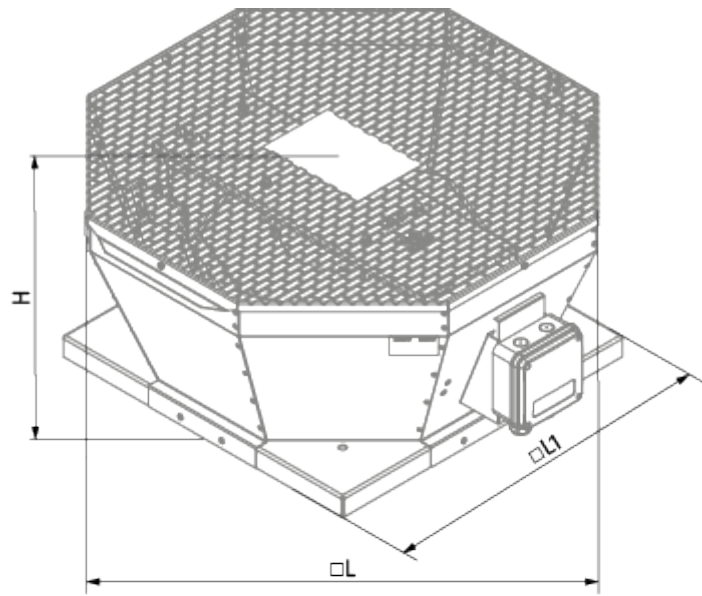
	Unit of measurement	Tower-V 190 2E
Speed	-	1
Minimum supply voltage	V	230
Maximum supply voltage	V	230
Power supply frequency	Hz	50/60
Rated power	W	69
Unit current	A	0.3
Maximum airflow	m ³ /h	610
Sound pressure level LpA at 3 m	dB(A)	48
Weight	kg	8.2
Transported air temperature (max)	°C	50
Transported air temperature (min)	°C	-25
Ingress protection rating	-	IPX4
Ingress protection rating of the drive	-	IP44





Dimensions

ØD	H	L	L1
213	170	417	355




Ecodesign



Trademark	Blauberg					
Model	Tower-V 190 2E					
Specific energy consumption (SEC) (kWh/(m ² /a))	Cold		Average		Warm	
	52.7	A+	25.7	C	10.2	E
Type of ventilation unit	Unidirectional					
Type of drive installed	Variable speed					
Type of heat recovery system	None					
Maximum flow rate (m ³ /h)	480					
Electric power input (W)	65					
Reference flow rate (m ³ /s)	0.093					
Reference pressure difference (Pa)	50					
Specific power input (SPI) (W/(m ³ /h))	0.199					
Control typology	Local demand control					
Maximum external leakage rates (%)	2.7					
Sound power level (dB(A))	67					
Declared typology	RVU UVU					
The annual electricity consumption (AEC) (kWh/a)	Cold		Average		Warm	
	106		106		106	
The annual heating saved (AHS) (kWh/a)	Cold		Average		Warm	
	5536		2830		1280	

Accessories

Thyristor speed controllers

Name	Photo	Description
CDT E1.8		Thyristor speed controller