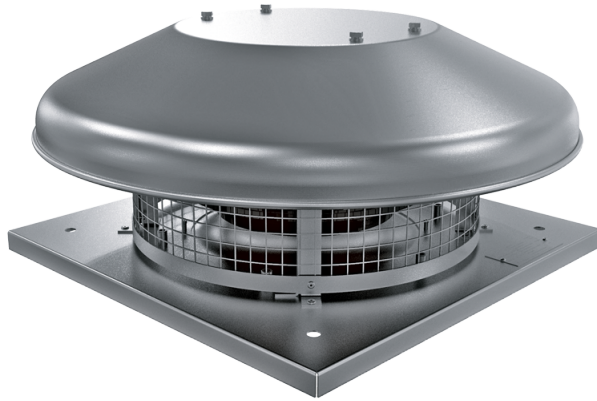


# Tower-HC EC 280

Roof centrifugal fans with EC motor

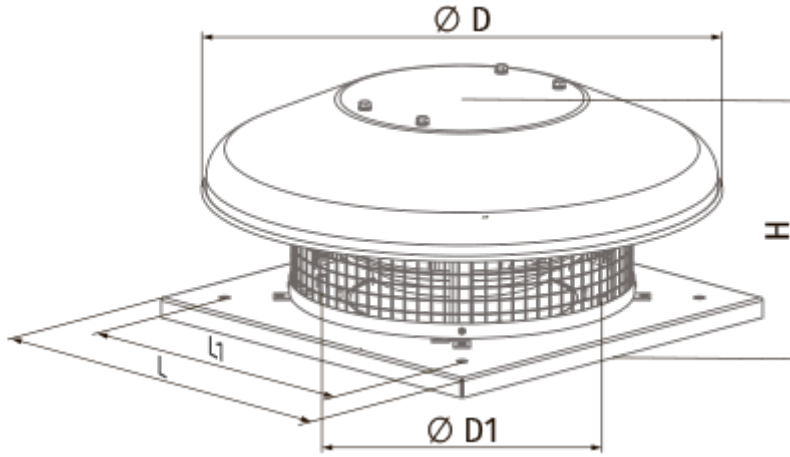


- Maximum airflow: 2400
- Sound pressure level LpA at 3 m: 48
- Motor type: EC
- Impeller type: Centrifugal backward curved blades
- Casing material: Coated steel

|  | Unit of measurement | Tower-HC EC 280 |
|--|---------------------|-----------------|
| Speed                                  | -                   | 1               |
| Phases                                 | -                   | 1               |
| Minimum supply voltage                 | V                   | 230             |
| Maximum supply voltage                 | V                   | 230             |
| Power supply frequency                 | Hz                  | 50/60           |
| Rated power                            | W                   | 195             |
| Unit current                           | A                   | 1.53            |
| Maximum airflow                        | m <sup>3</sup> /h   | 2400            |
| rotation speed at 50hz                 | -                   | 2610            |
| Sound pressure level LpA at 3 m        | dB(A)               | 48              |
| Weight                                 | kg                  | 10              |
| Transported air temperature (max)      | °C                  | 60              |
| Transported air temperature (min)      | °C                  | -25             |
| Ingress protection rating              | -                   | IPX4            |
| Ingress protection rating of the drive | -                   | IP55            |

## Dimensions

| H   | ØD  | ØD1 | L   | L1  |
|-----|-----|-----|-----|-----|
| 254 | 623 | 285 | 420 | 330 |




## Ecodesign

|                                       |                 |
|---------------------------------------|-----------------|
| Trademark                             | Blauberg        |
| Model                                 | Tower-HC EC 280 |
| Type of drive installed               | Integrated VSD  |
| Type of heat recovery system          | None            |
| Nominal flow rate (m <sup>3</sup> /s) | 0.377           |
| Nominal external pressure (Pa)        | 275             |
| Maximum external leakage rates (%)    | 2.7             |
| Static efficiency (%)                 | 62              |
| Effective electric power input (kW)   | 0.194           |
| Sound power level (dB(A))             | 67              |
| Declared typology                     | NRVU UVU        |

## Accessories

### EC motors regulators

| Name                       | Photo   | Description                 |
|----------------------------|---|-----------------------------|
| <a href="#">CDT E/0-10</a> |  | Speed control for EC motors |