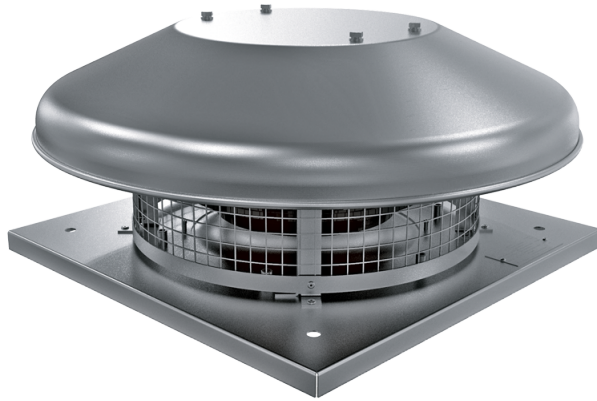


# Tower-HC EC 250

## A

Roof centrifugal fans with EC-motors

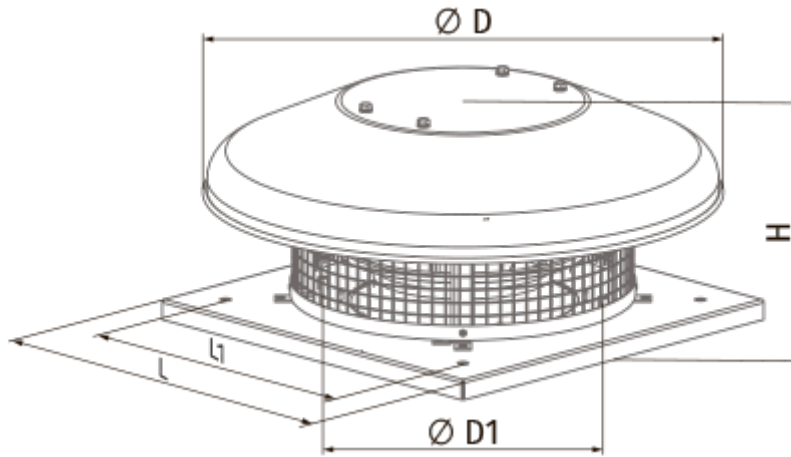


- Maximum airflow: 1500
- Sound pressure level LpA at 3 m: 54
- Motor type: EC
- Impeller type: Centrifugal backward curved blades
- Casing material: Aluminium

	Unit of measurement	Tower-HC EC 250 A
Speed	-	1
Phases	-	1
Minimum supply voltage	V	230
Maximum supply voltage	V	230
Power supply frequency	Hz	50/60
Rated power	W	164
Unit current	A	1.25
Maximum airflow	m <sup>3</sup> /h	1500
rotation speed at 50hz	-	3310
Sound pressure level LpA at 3 m	dB(A)	54
Weight	kg	9
Transported air temperature (max)	°C	60
Transported air temperature (min)	°C	-25
Ingress protection rating	-	IPX4
Ingress protection rating of the drive	-	IP55


## Dimensions

H	ØD	ØD1	L	L1
223	503	285	420	330



## Accessories

### Other accessories

Name	Photo	Description
<a href="#">CDT E/0-10</a>		Speed control for EC motors