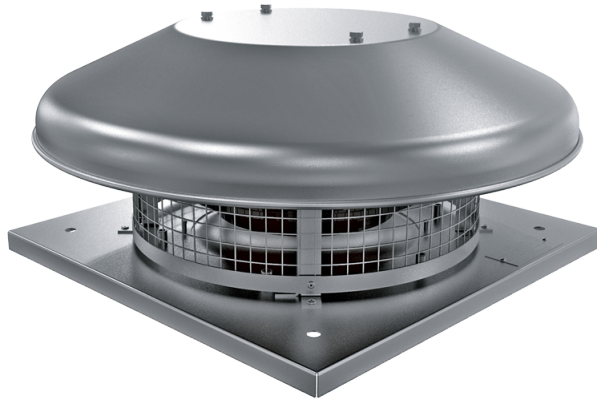


Tower-HC EC 190

A

Roof centrifugal fans with EC motor

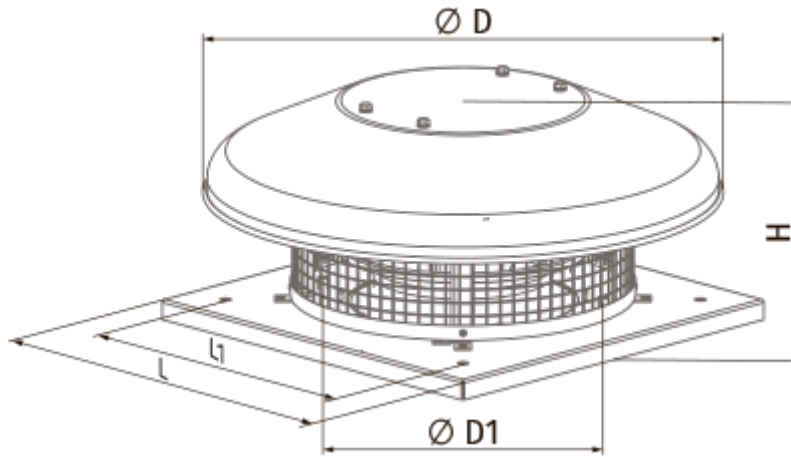
- Maximum airflow: 770
- Sound pressure level LpA at 3 m: 52
- Motor type: EC
- Impeller type: Centrifugal backward curved blades
- Casing material: Aluminium



	Unit of measurement	Tower-HC EC 190 A
Speed	-	1
Phases	-	1
Minimum supply voltage	V	230
Maximum supply voltage	V	230
Power supply frequency	Hz	50/60
Rated power	W	110
Unit current	A	0.87
Maximum airflow	m ³ /h	770
rotation speed at 50hz	-	3538
Sound pressure level LpA at 3 m	dB(A)	52
Weight	kg	7
Transported air temperature (max)	°C	60
Transported air temperature (min)	°C	-25
Ingress protection rating	-	IPX4
Ingress protection rating of the drive	-	IP55


Dimensions

H	ØD	ØD1	L	L1
178	503	210	330	245



Accessories

EC motors regulators

Name	Photo	Description
CDT E/0-10		Speed control for EC motors