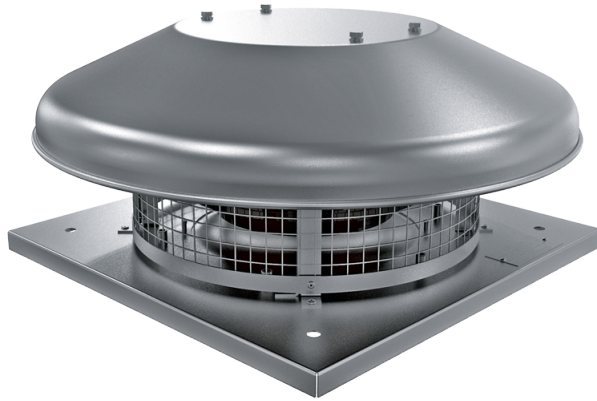


Tower-HC 310 4D

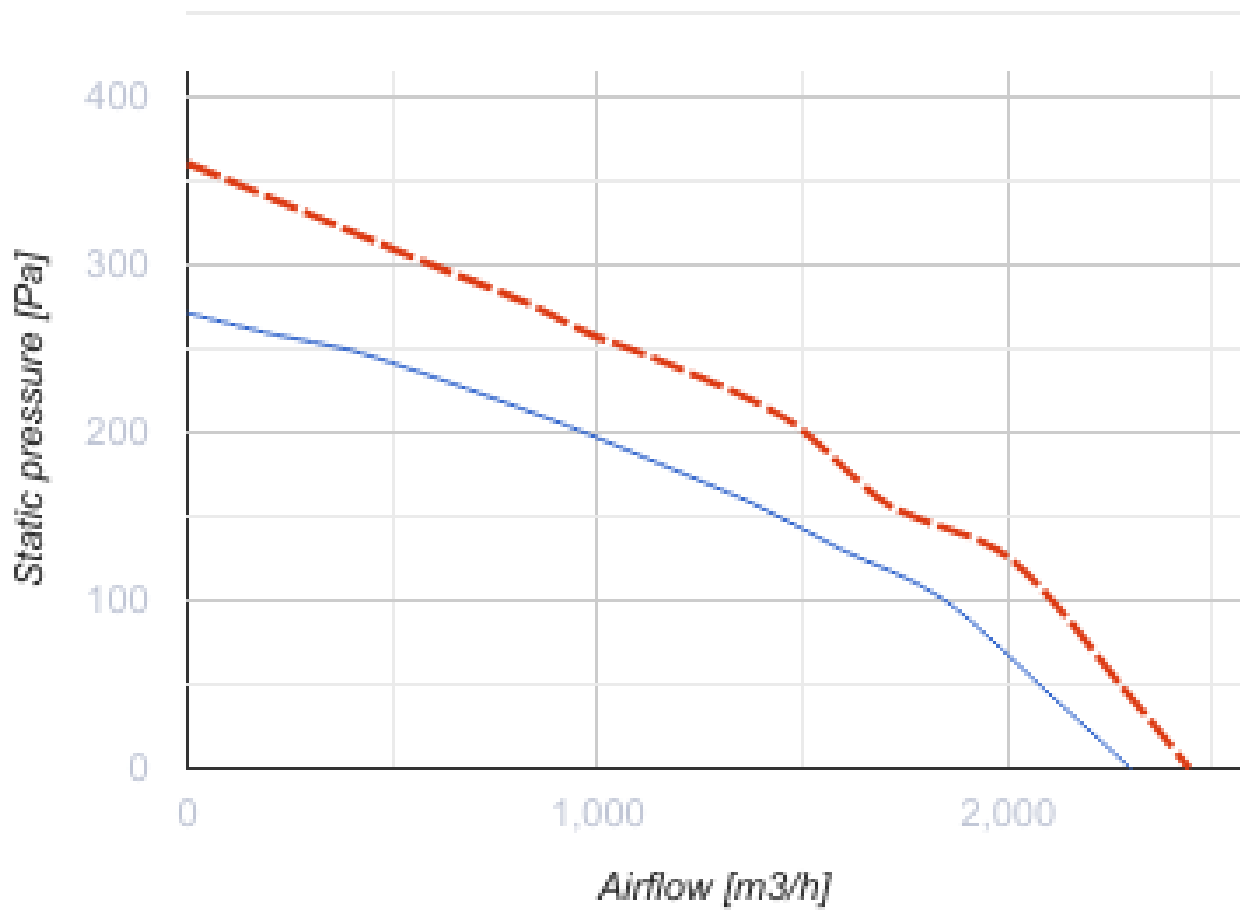
A

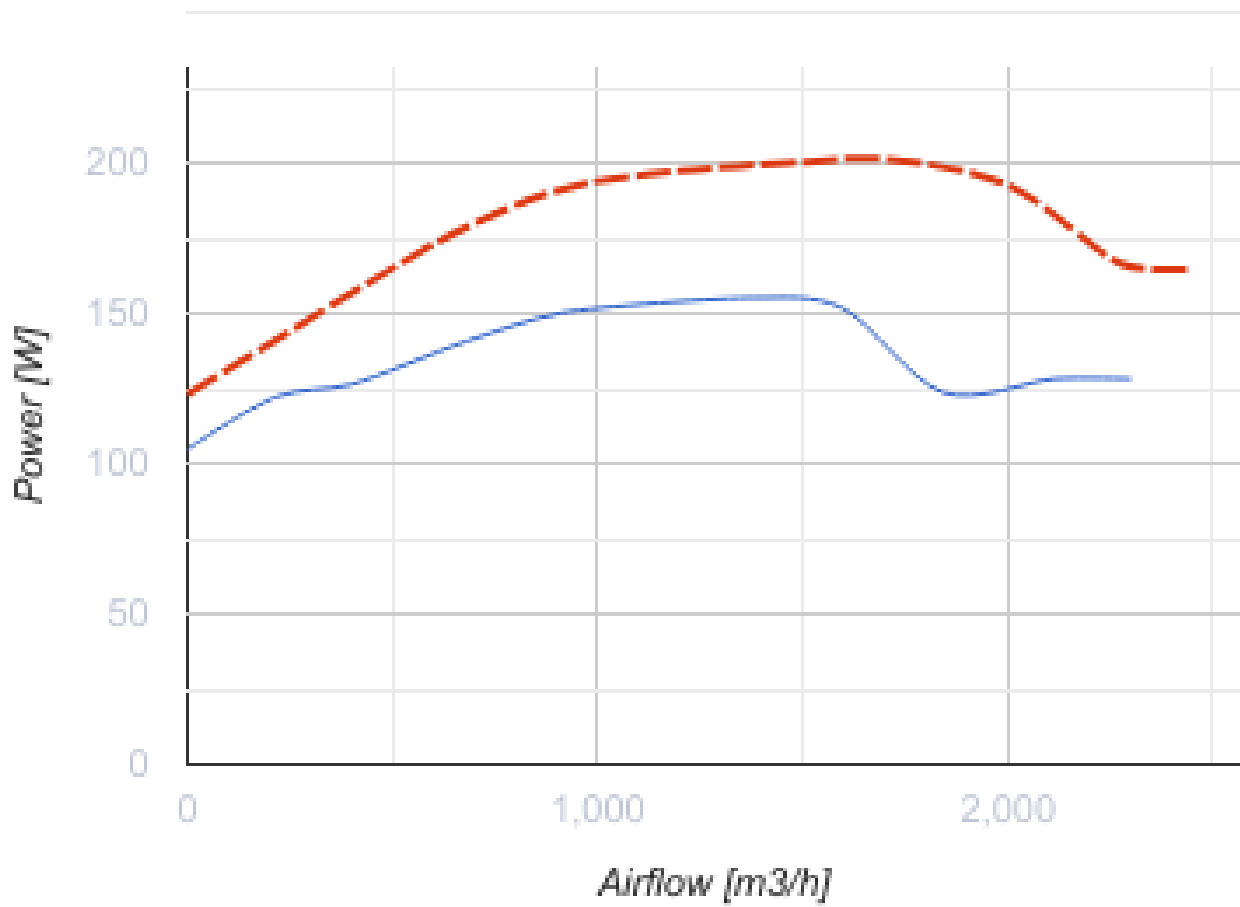
Roof centrifugal fans



- Maximum airflow: 2300
- Sound pressure level LpA at 3 m: 47
- Motor type: AC
- Impeller type: Centrifugal backward curved blades
- Casing material: Aluminium

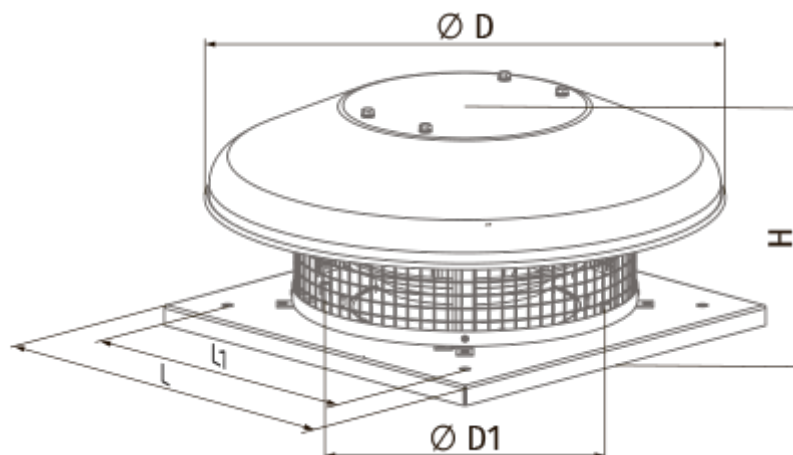
	Unit of measurement	Tower-HC 310 4D A	
Speed	-	1	
Phases	-	3	
Minimum supply voltage	V	400	
Maximum supply voltage	V	400	
Power supply frequency	Hz	50	60
Rated power	W	155	
Unit current	A	0.29	
Maximum airflow	m ³ /h	2300	
rotation speed at 50hz	-	1410	
Sound pressure level LpA at 3 m	dB(A)	47	
Weight	kg	12	
Transported air temperature (max)	°C	50	
Transported air temperature (min)	°C	-25	
Ingress protection rating	-	IPX4	
Ingress protection rating of the drive	-	IP44	





Dimensions

H	ØD	ØD1	L	L1
277	623	285	420	330



Ecodesign

Trademark	Blauberg
Model	Tower-HC 310 4D A
Type of drive installed	Integrated VSD
Type of heat recovery system	None
Nominal flow rate (m ³ /s)	0.131
Nominal external pressure (Pa)	99
Maximum external leakage rates (%)	2.7
Static efficiency (%)	33.2
Effective electric power input (kW)	0.047
Sound power level (dB(A))	58
Declared typology	NRVU UVU