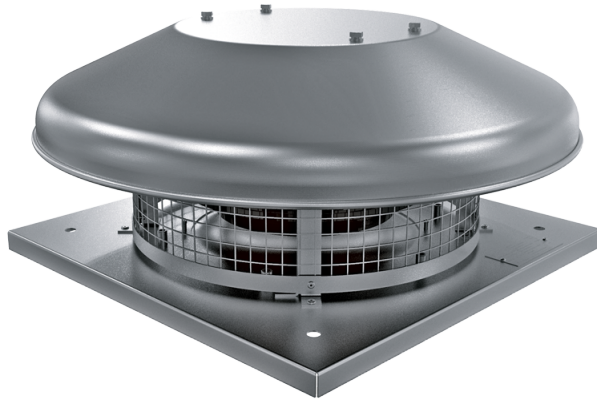


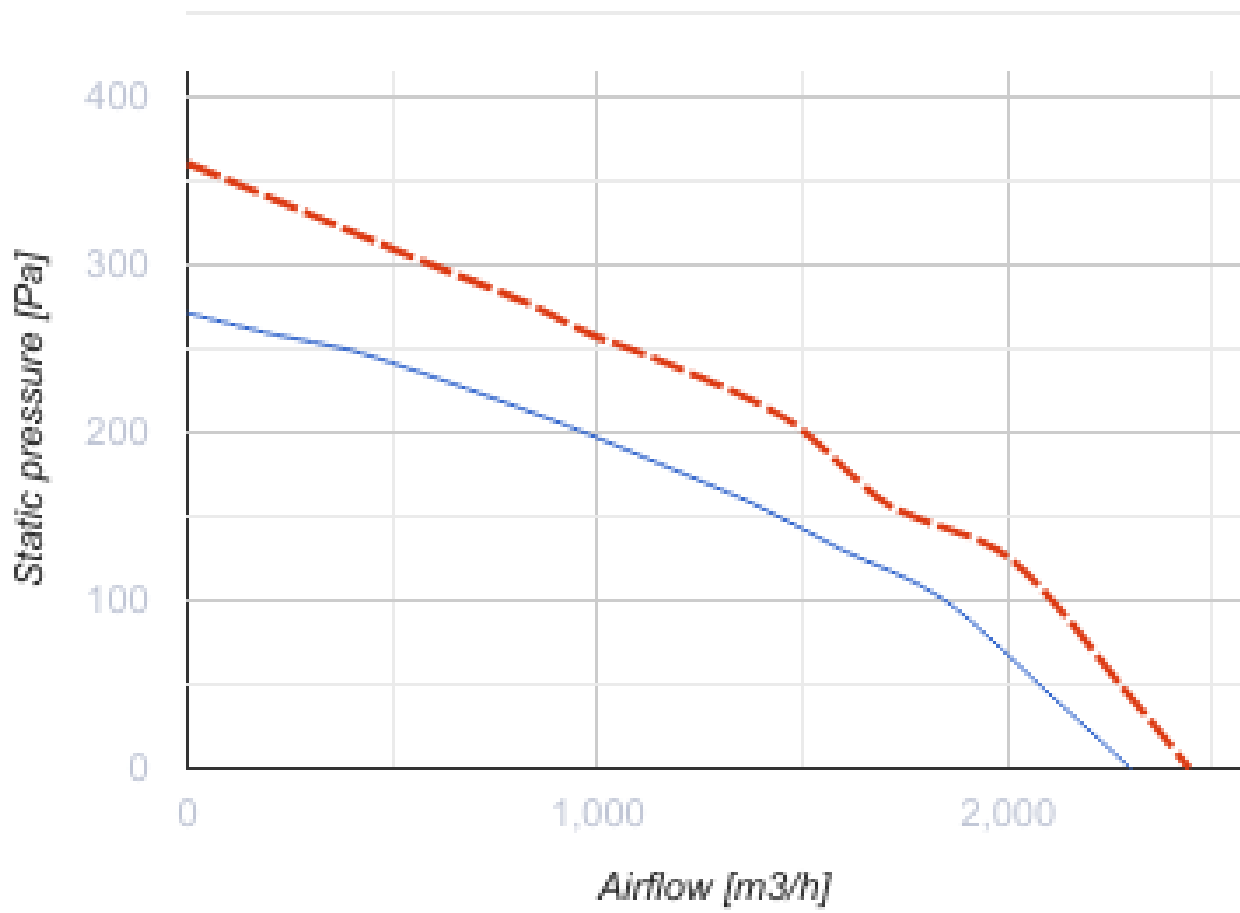
# Tower-HC 310 4D

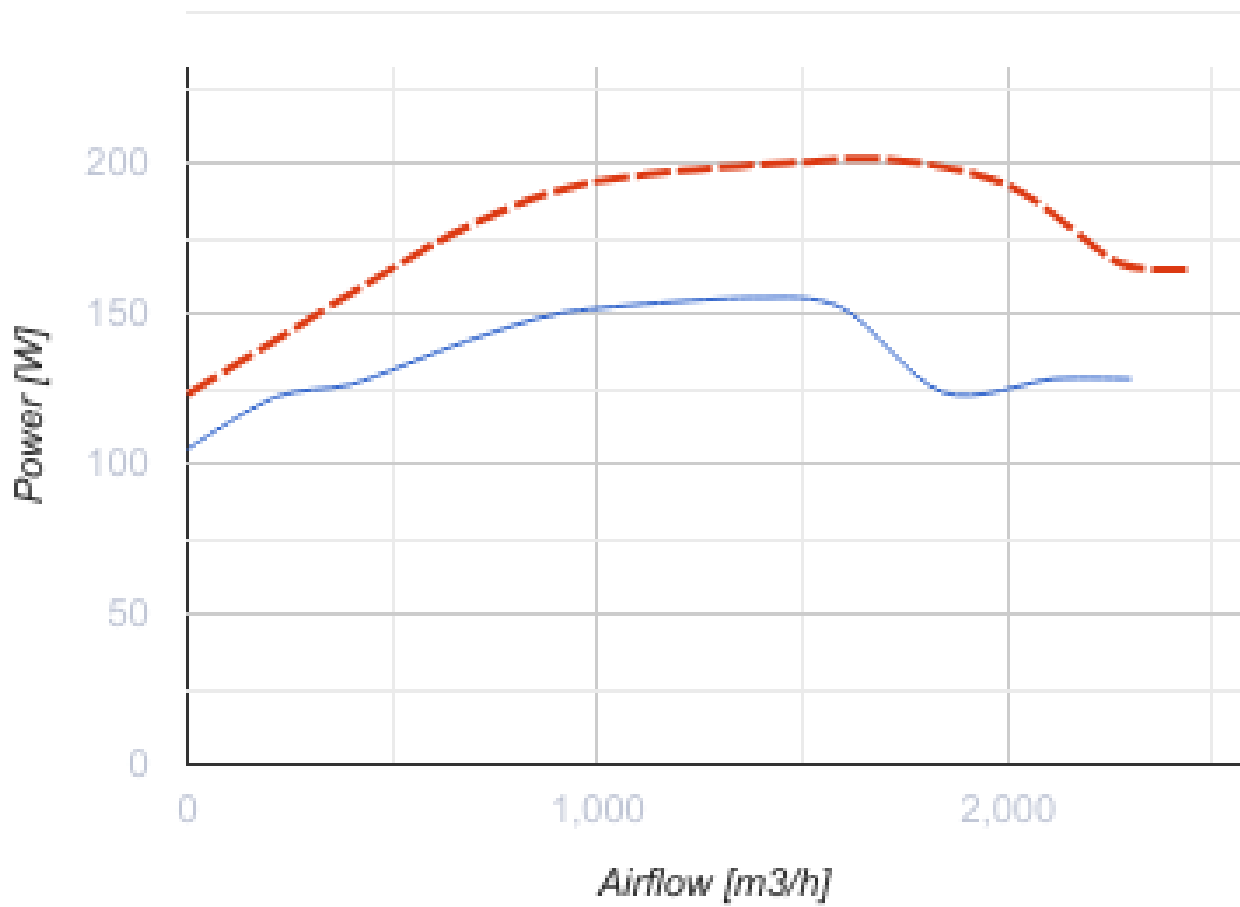
Roof centrifugal fans



- Maximum airflow: 2300
- Sound pressure level LpA at 3 m: 47
- Motor type: AC
- Impeller type: Centrifugal backward curved blades
- Casing material: Coated steel

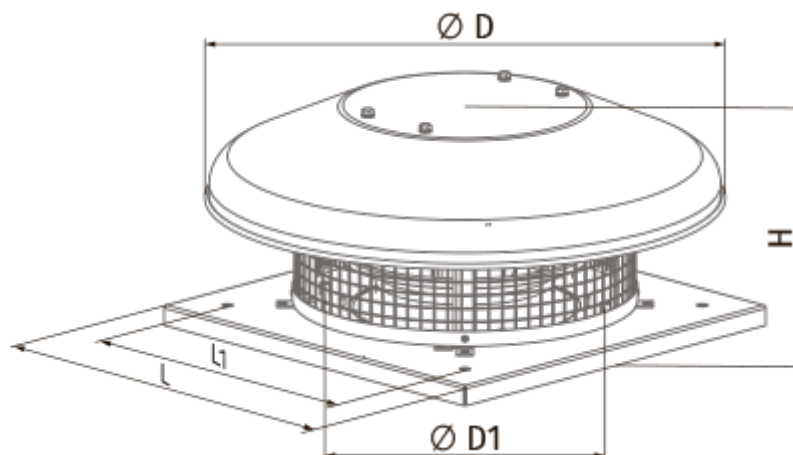
|  | Unit of measurement | Tower-HC 310 4D |    |
|--|---------------------|-----------------|----|
| Speed                                  | -                   | 1               |    |
| Phases                                 | -                   | 3               |    |
| Minimum supply voltage                 | V                   | 400             |    |
| Maximum supply voltage                 | V                   | 400             |    |
| Power supply frequency                 | Hz                  | 50              | 60 |
| Rated power                            | W                   | 155             |    |
| Unit current                           | A                   | 0.29            |    |
| Maximum airflow                        | m <sup>3</sup> /h   | 2300            |    |
| rotation speed at 50hz                 | -                   | 1410            |    |
| Sound pressure level LpA at 3 m        | dB(A)               | 47              |    |
| Weight                                 | kg                  | 11              |    |
| Transported air temperature (max)      | °C                  | 50              |    |
| Transported air temperature (min)      | °C                  | -25             |    |
| Ingress protection rating              | -                   | IPX4            |    |
| Ingress protection rating of the drive | -                   | IP44            |    |





## Dimensions

| H   | ØD  | ØD1 | L   | L1  |
|-----|-----|-----|-----|-----|
| 277 | 623 | 285 | 420 | 330 |



## Ecodesign

|                                       |                     |
|---------------------------------------|---------------------|
| Trademark                             | Blauberg            |
| Model                                 | Tower-HC 310 4D     |
| Type of drive installed               | External MSD or VSD |
| Type of heat recovery system          | None                |
| Nominal flow rate (m <sup>3</sup> /s) | 0.511               |
| Nominal external pressure (Pa)        | 101                 |
| Maximum external leakage rates (%)    | 2.7                 |
| Static efficiency (%)                 | 50.6                |
| Effective electric power input (kW)   | 0.104               |
| Sound power level (dB(A))             | 67                  |
| Declared typology                     | NRVU UVU            |