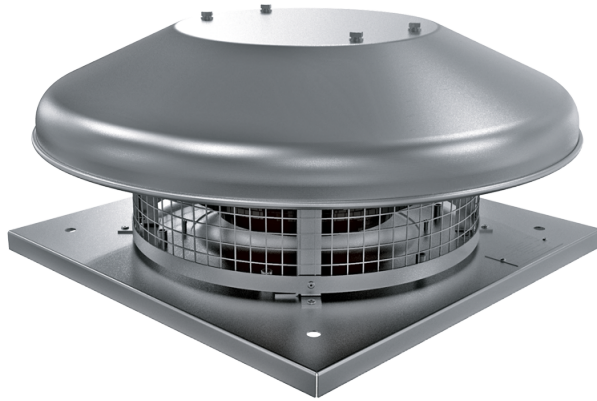


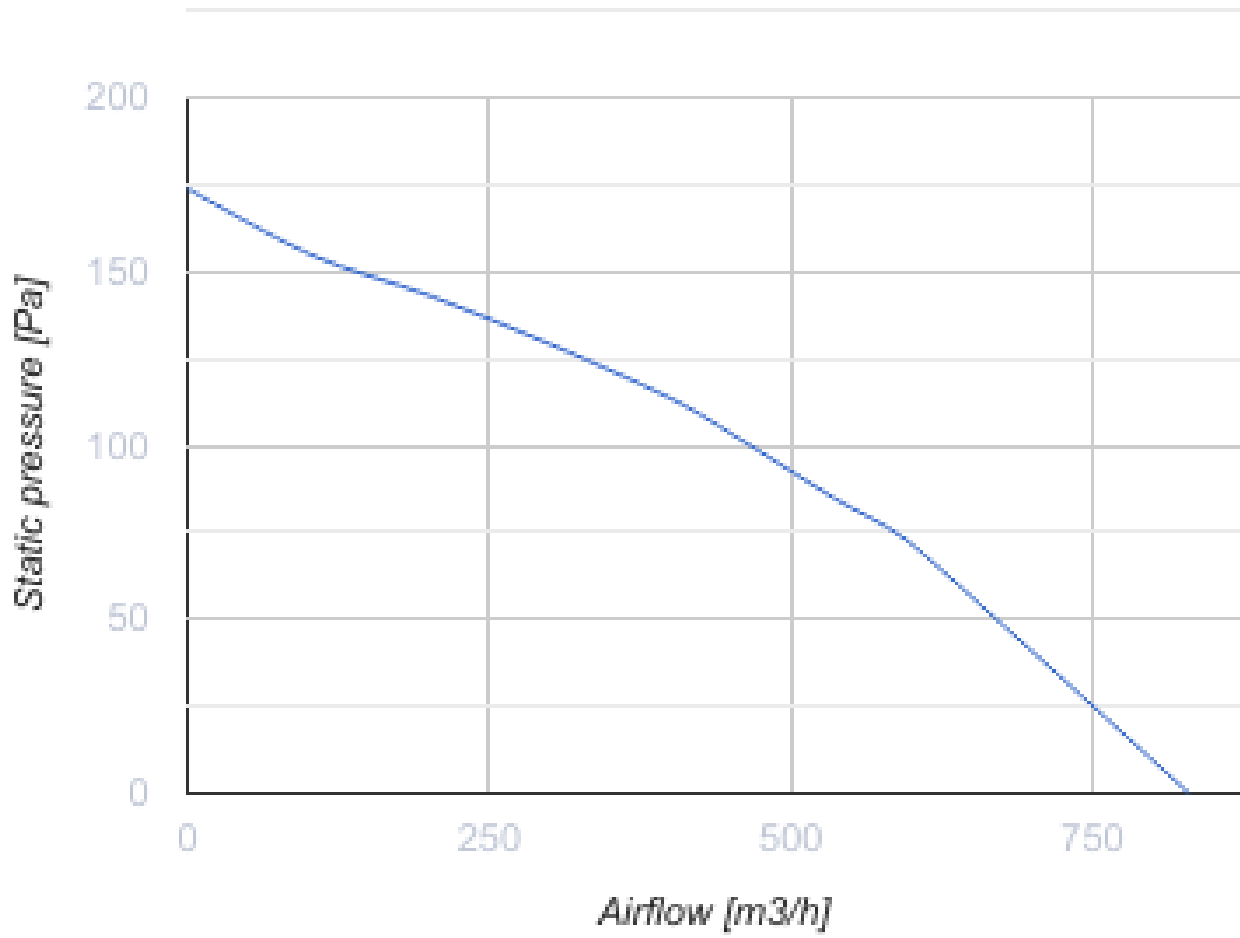
Tower-HC 250 4E

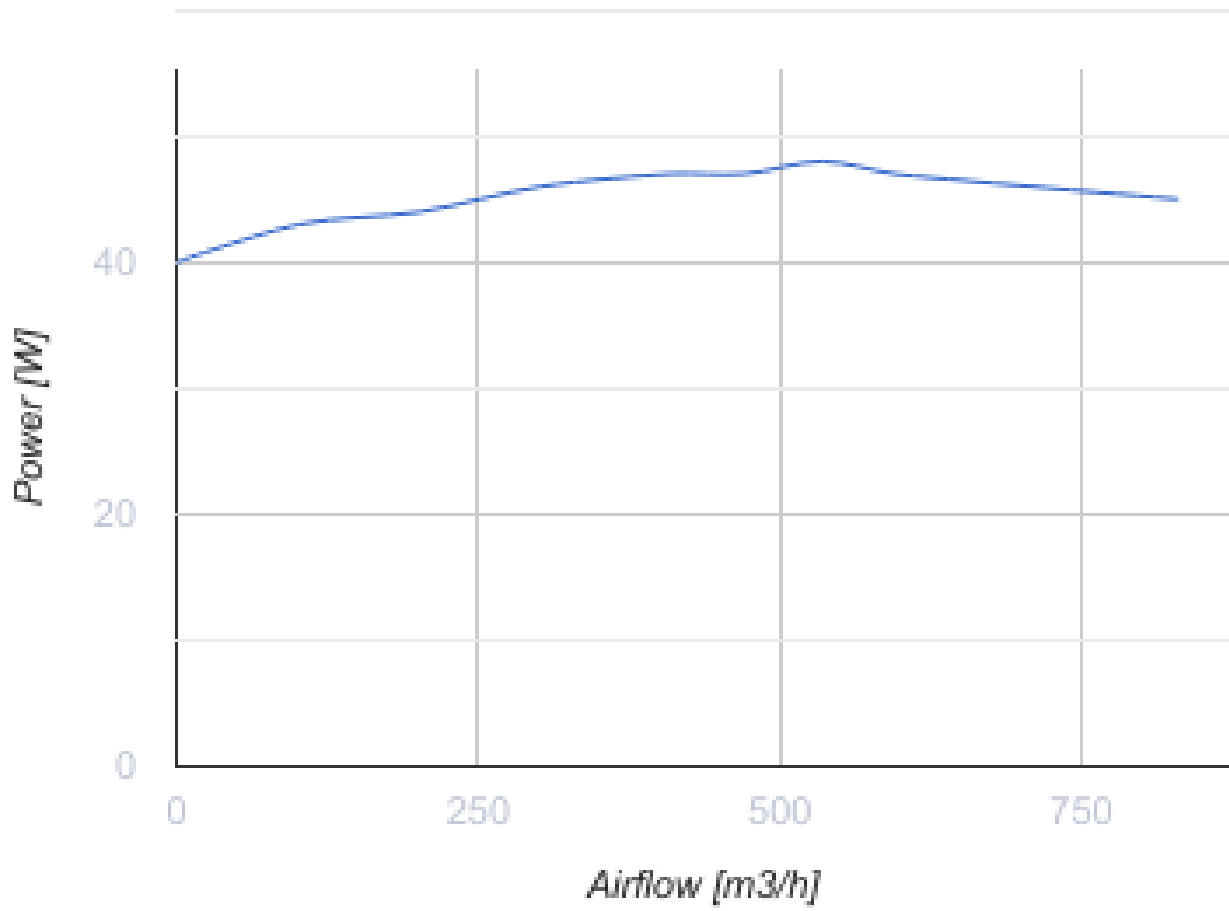
Roof centrifugal fans



- Maximum airflow: 830
- Sound pressure level LpA at 3 m: 46
- Motor type: AC
- Impeller type: Centrifugal backward curved blades
- Casing material: Coated steel

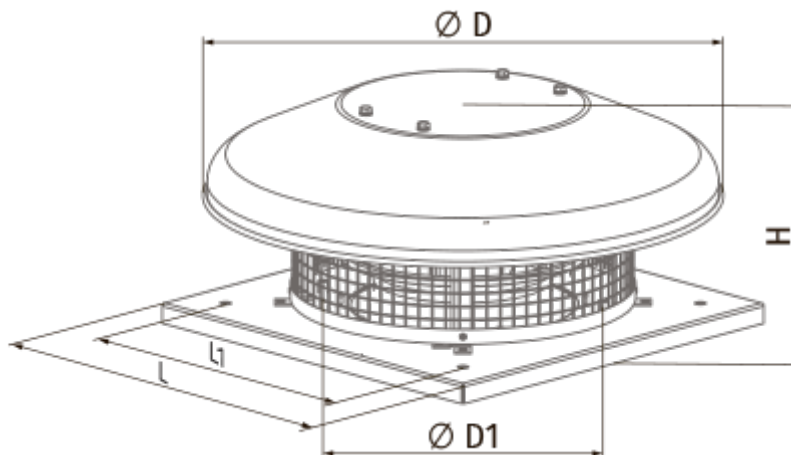
	Unit of measurement	Tower-HC 250 4E
Speed	-	1
Phases	-	1
Minimum supply voltage	V	230
Maximum supply voltage	V	230
Power supply frequency	Hz	50
Rated power	W	48
Unit current	A	0.23
Maximum airflow	m ³ /h	830
rotation speed at 50hz	-	1440
Sound pressure level LpA at 3 m	dB(A)	46
Weight	kg	8
Transported air temperature (max)	°C	50
Transported air temperature (min)	°C	-25
Ingress protection rating	-	IPX4
Ingress protection rating of the drive	-	IP44





Dimensions

H	ØD	ØD1	L	L1
224	503	285	420	330



Ecodesign

Trademark	Blauberg
Model	Tower-HC 250 4E
Type of drive installed	Integrated VSD
Type of heat recovery system	None
Nominal flow rate (m ³ /s)	0.131
Nominal external pressure (Pa)	99
Maximum external leakage rates (%)	2.7
Static efficiency (%)	33.2
Effective electric power input (kW)	0.047
Sound power level (dB(A))	58
Declared typology	NRVU UVU