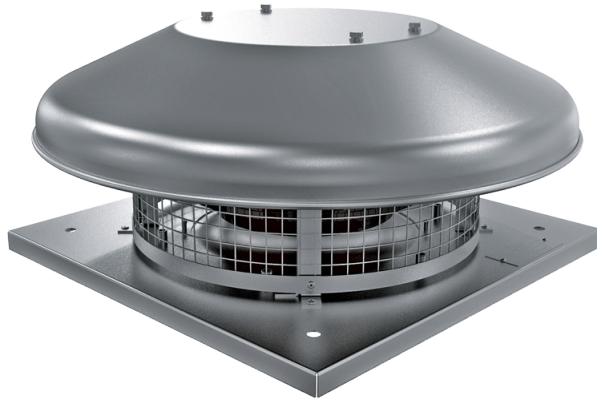


# Tower-HC 190 2E

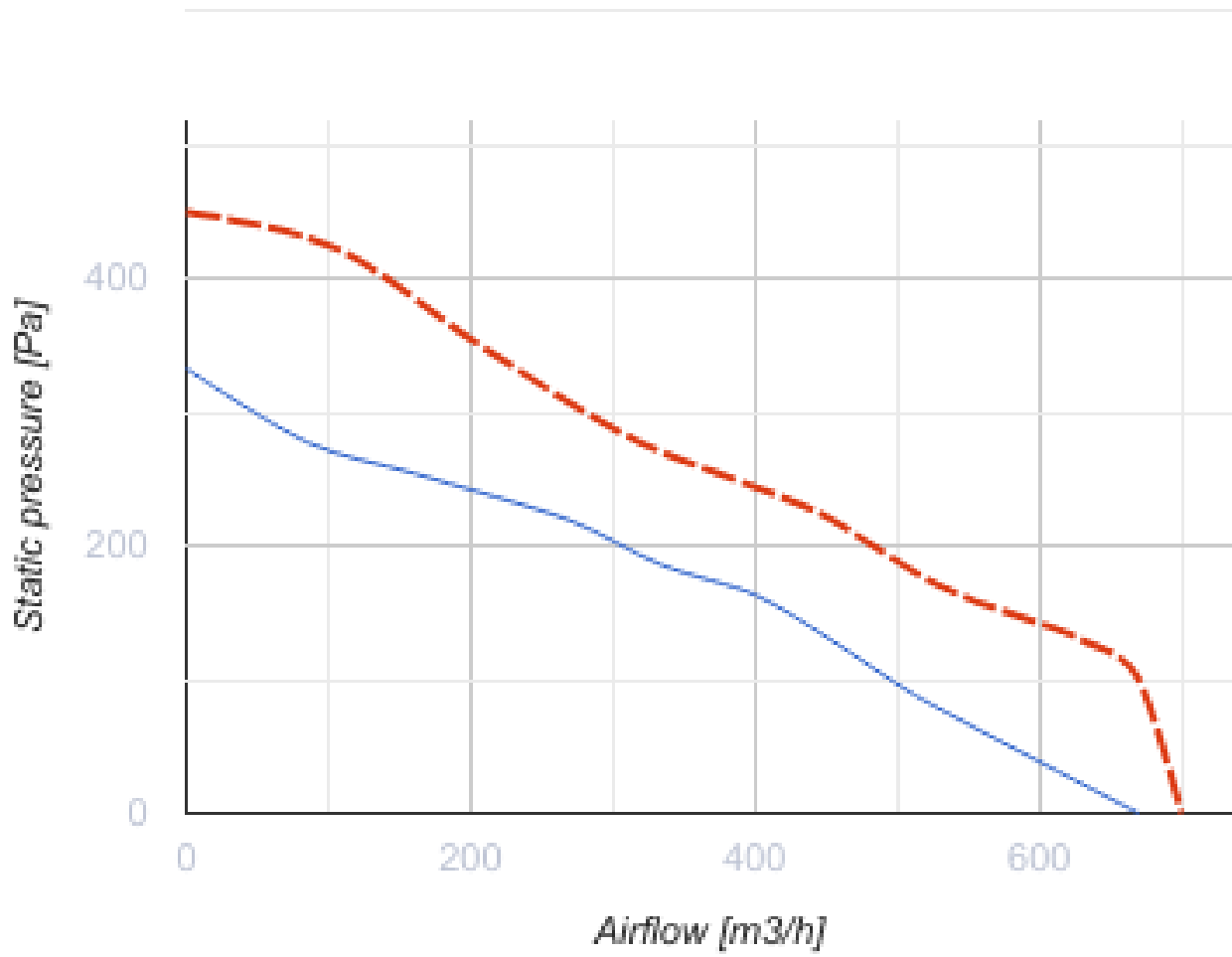
## A

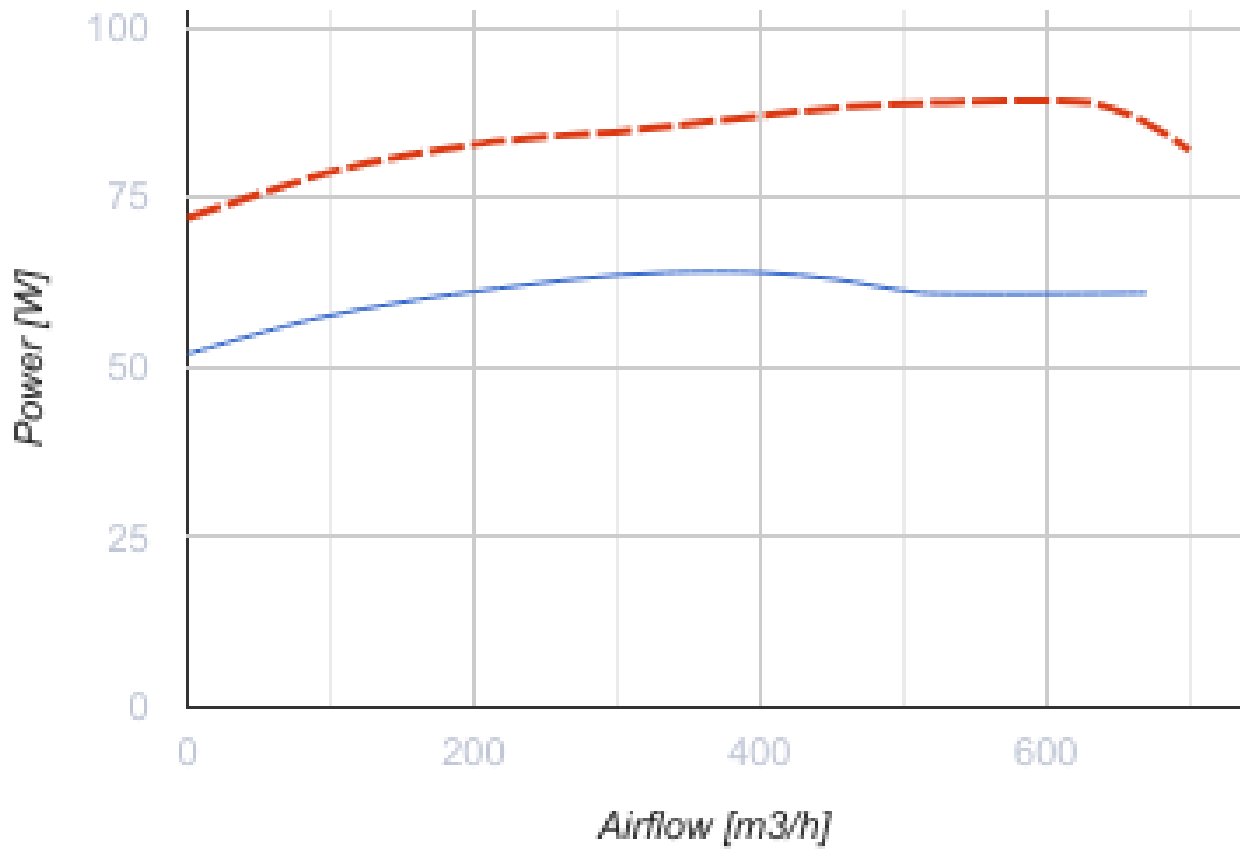
Roof centrifugal fans

- Maximum airflow: 670
- Sound pressure level LpA at 3 m: 48
- Motor type: AC
- Impeller type: Centrifugal backward curved blades
- Casing material: Aluminium



|  | Unit of measurement | Tower-HC 190 2E A |    |
|--|---------------------|-------------------|----|
| Speed                                  | -                   | 1                 |    |
| Phases                                 | -                   | 1                 |    |
| Minimum supply voltage                 | V                   | 230               |    |
| Maximum supply voltage                 | V                   | 230               |    |
| Power supply frequency                 | Hz                  | 50                | 60 |
| Rated power                            | W                   | 64                |    |
| Unit current                           | A                   | 0.29              |    |
| Maximum airflow                        | m <sup>3</sup> /h   | 670               |    |
| rotation speed at 50hz                 | -                   | 2730              |    |
| Sound pressure level LpA at 3 m        | dB(A)               | 48                |    |
| Weight                                 | kg                  | 7                 |    |
| Transported air temperature (max)      | °C                  | 50                |    |
| Transported air temperature (min)      | °C                  | -25               |    |
| Ingress protection rating              | -                   | IPX4              |    |
| Ingress protection rating of the drive | -                   | IP44              |    |





### Dimensions

| H   | ØD  | ØD1 | L   | L1  |
|-----|-----|-----|-----|-----|
| 178 | 503 | 210 | 330 | 245 |

