

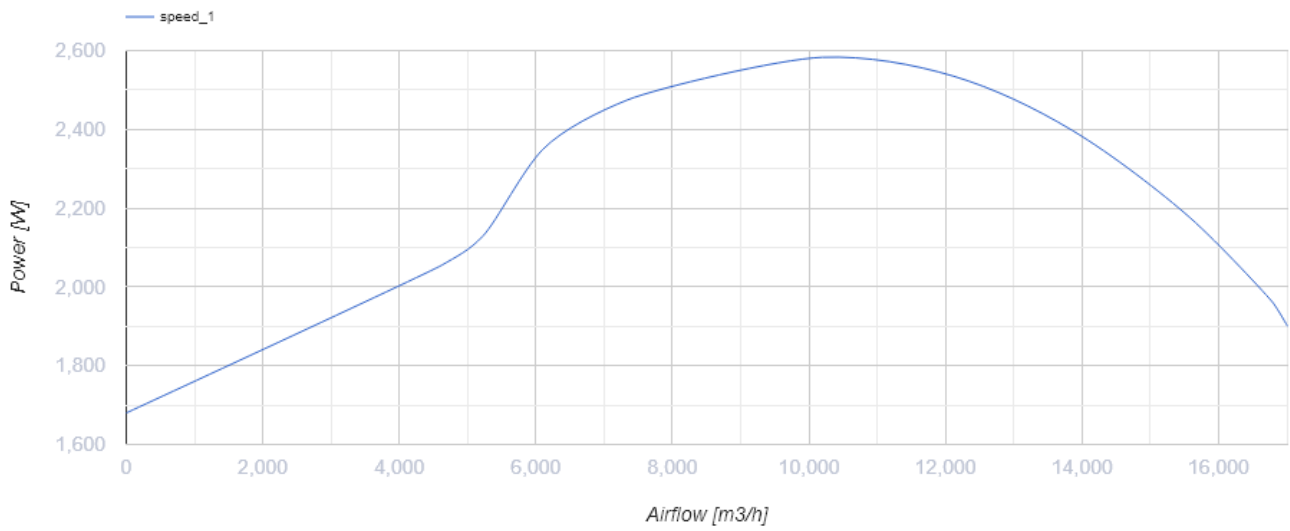
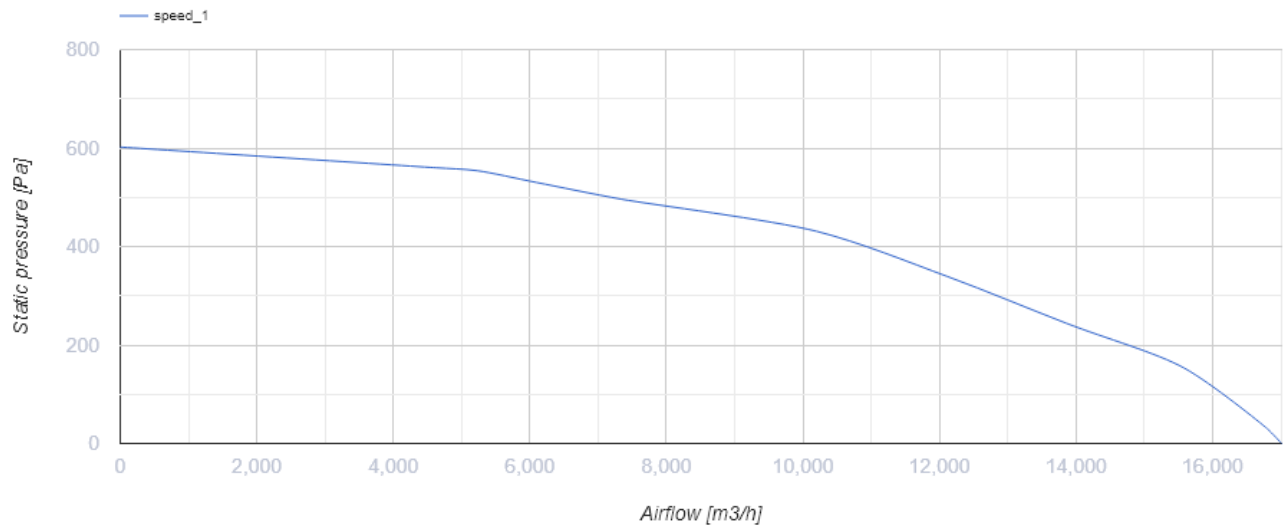
Tower-H 710 6D

Roof centrifugal fans



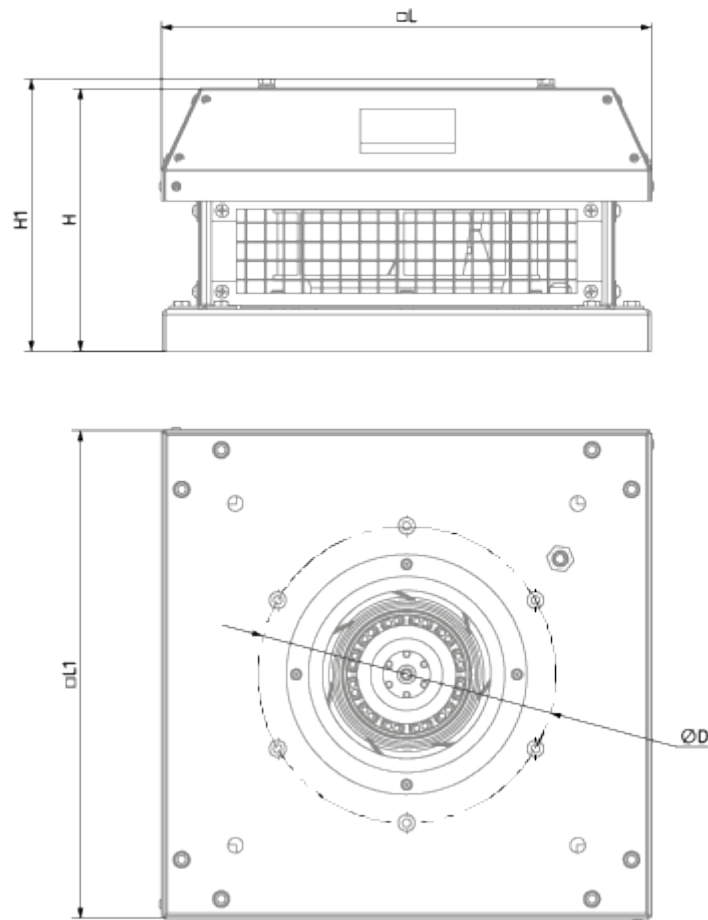
- Maximum airflow: 17010
- Sound pressure level LpA at 3 m: 67
- Motor type: AC
- Impeller type: Centrifugal backward curved blades
- Casing material: Coated steel

	Unit of measurement	Tower-H 710 6D
Speed	-	1
Minimum supply voltage	V	400
Maximum supply voltage	V	400
Power supply frequency	Hz	50
Rated power	W	2583
Unit current	A	4.87
Maximum airflow	m ³ /h	17010
Sound pressure level LpA at 3 m	dB(A)	67
Weight	kg	134
Transported air temperature (max)	°C	70
Transported air temperature (min)	°C	-25
Ingress protection rating	-	IPX4
Ingress protection rating of the drive	-	IP54




Dimensions

ØD	H	H1	L	L1
674	570	619	1060	1050



Accessories

Thyristor speed controllers

Name	Photo	Description
CDT E1.8		Thyristor speed controller