

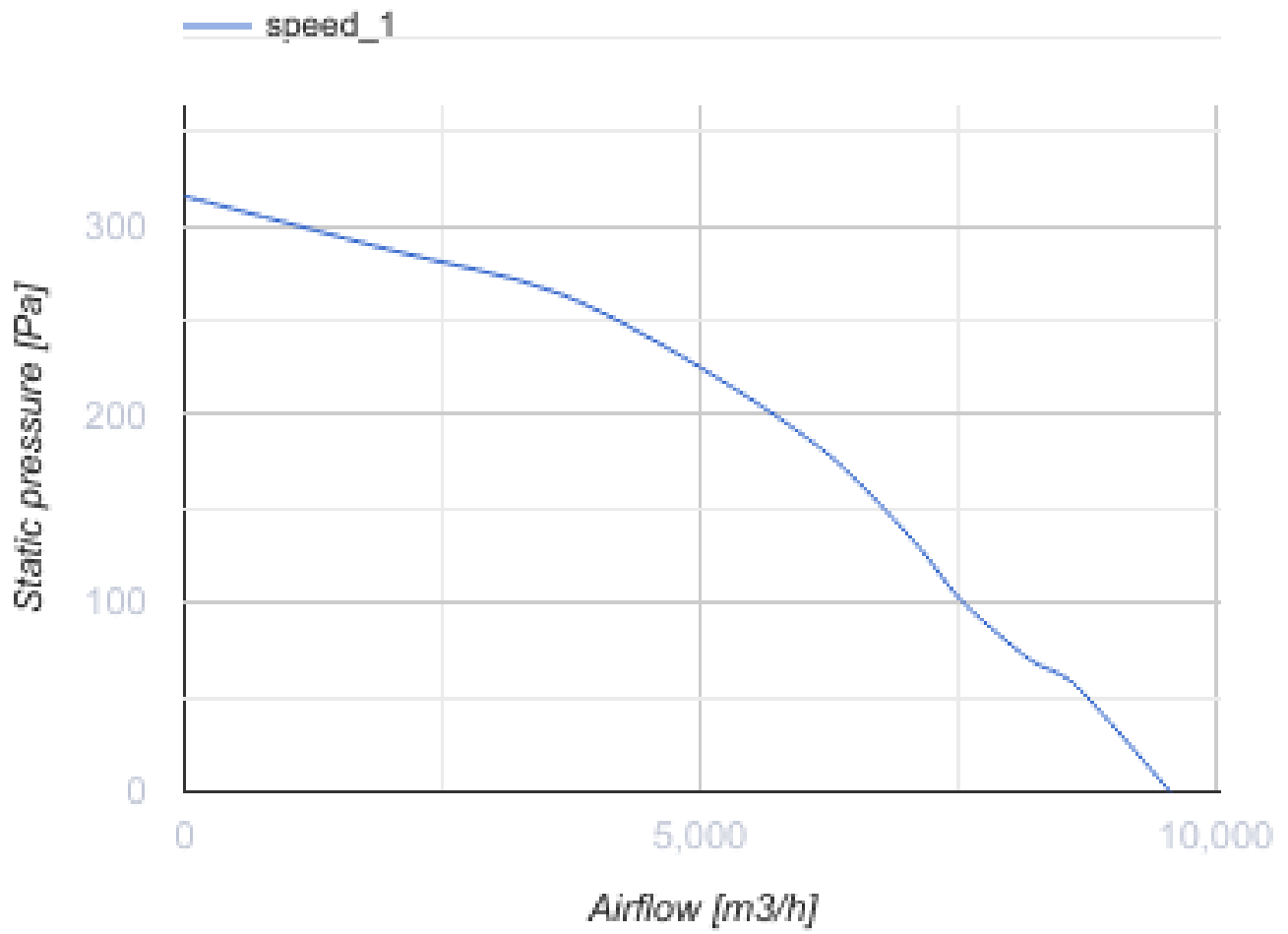
Tower-H 560 6E

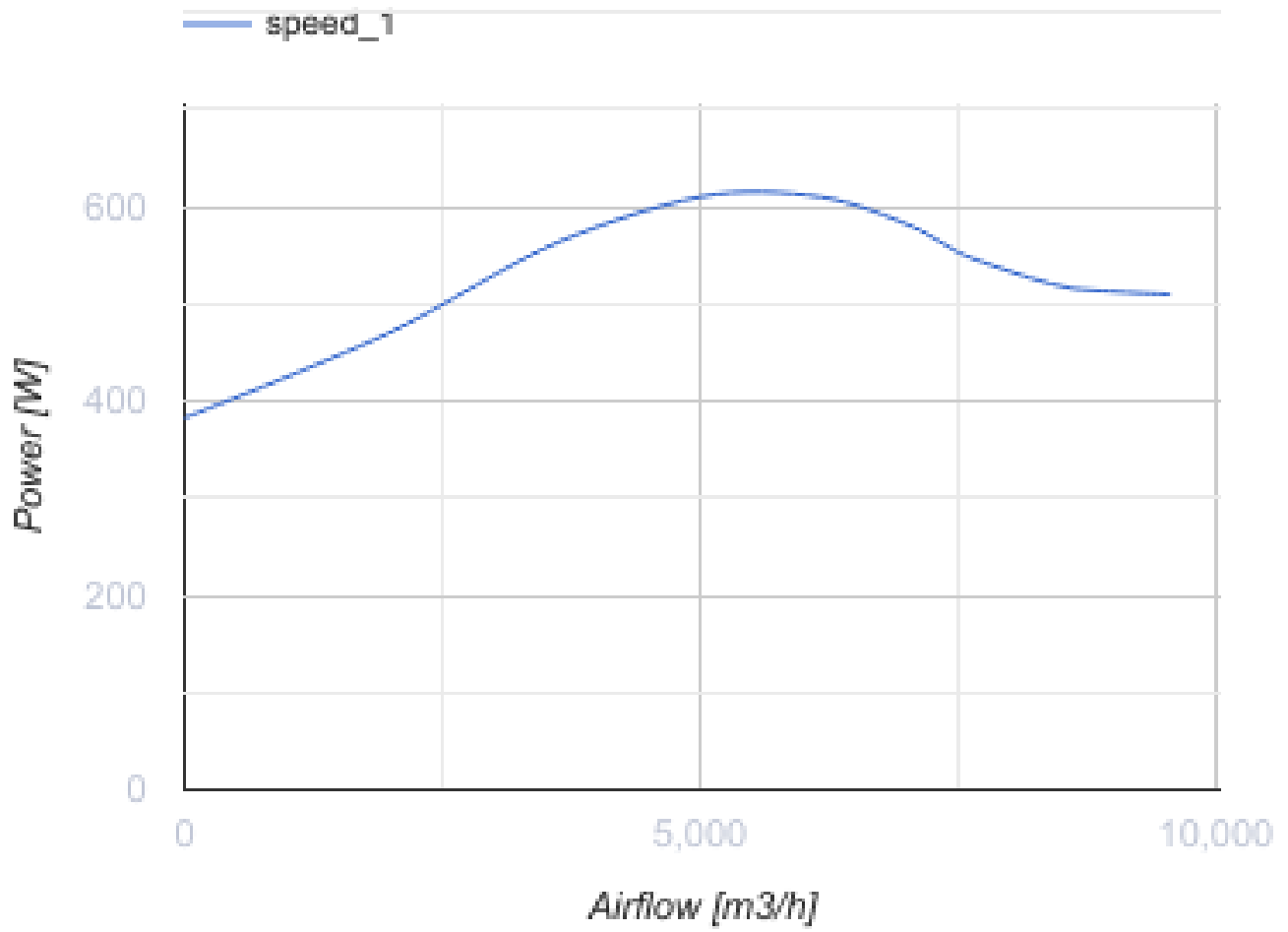
Roof centrifugal fans with horizontal air discharge



- Maximum airflow: 9560
- Sound pressure level LpA at 3 m: 58
- Motor type: AC
- Impeller type: Centrifugal backward curved blades
- Casing material: Coated steel

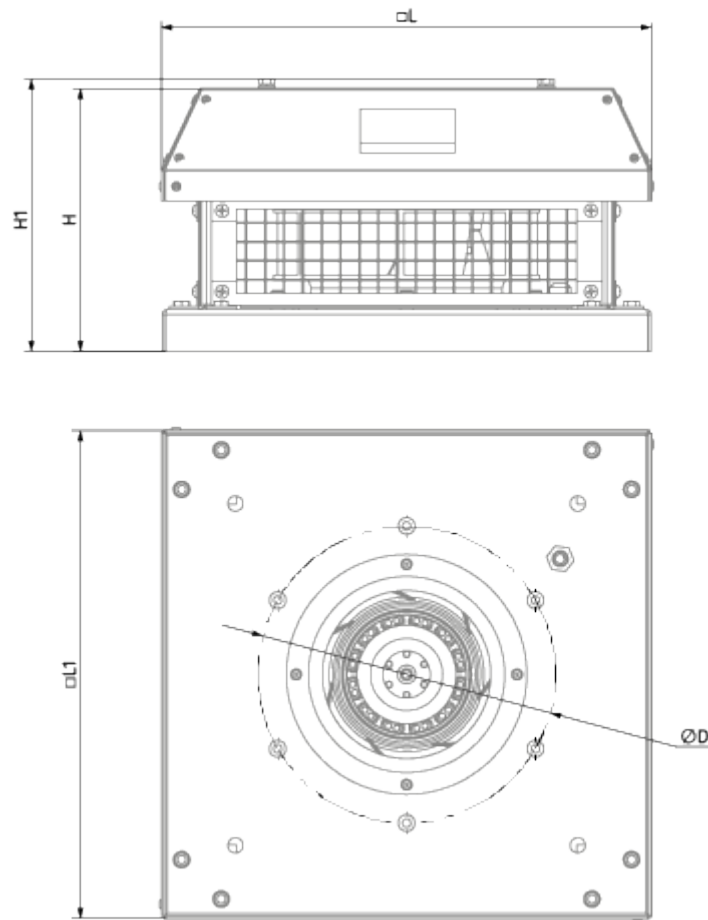
	Unit of measurement	Tower-H 560 6E
Speed	-	1
Minimum supply voltage	V	230
Maximum supply voltage	V	230
Power supply frequency	Hz	50
Rated power	W	613
Unit current	A	2.7
Maximum airflow	m ³ /h	9560
Sound pressure level LpA at 3 m	dB(A)	58
Weight	kg	76.4
Transported air temperature (max)	°C	50
Transported air temperature (min)	°C	-25
Ingress protection rating	-	IPX4
Ingress protection rating of the drive	-	IP54






Dimensions

ØD	H	H1	L	L1
605	489	528	900	895



Accessories

Other accessories

Name	Photo	Description
CDT E1.8		Thyristor speed controller