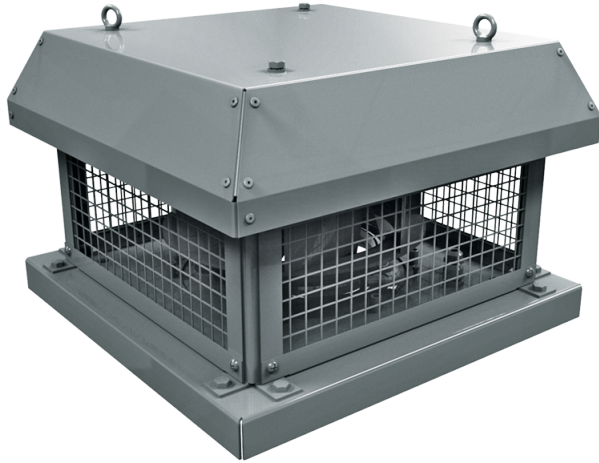


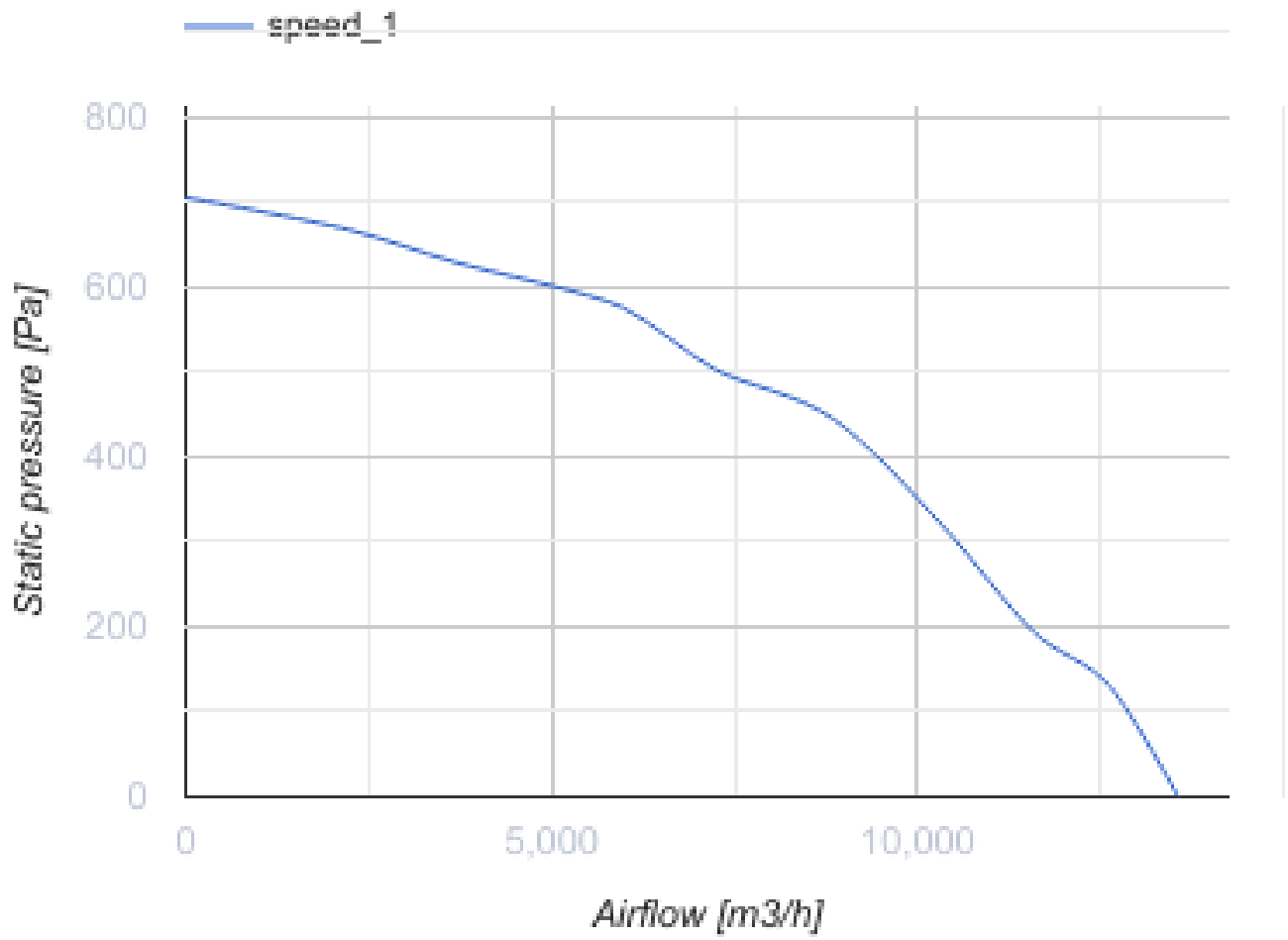
# Tower-H 560 4D

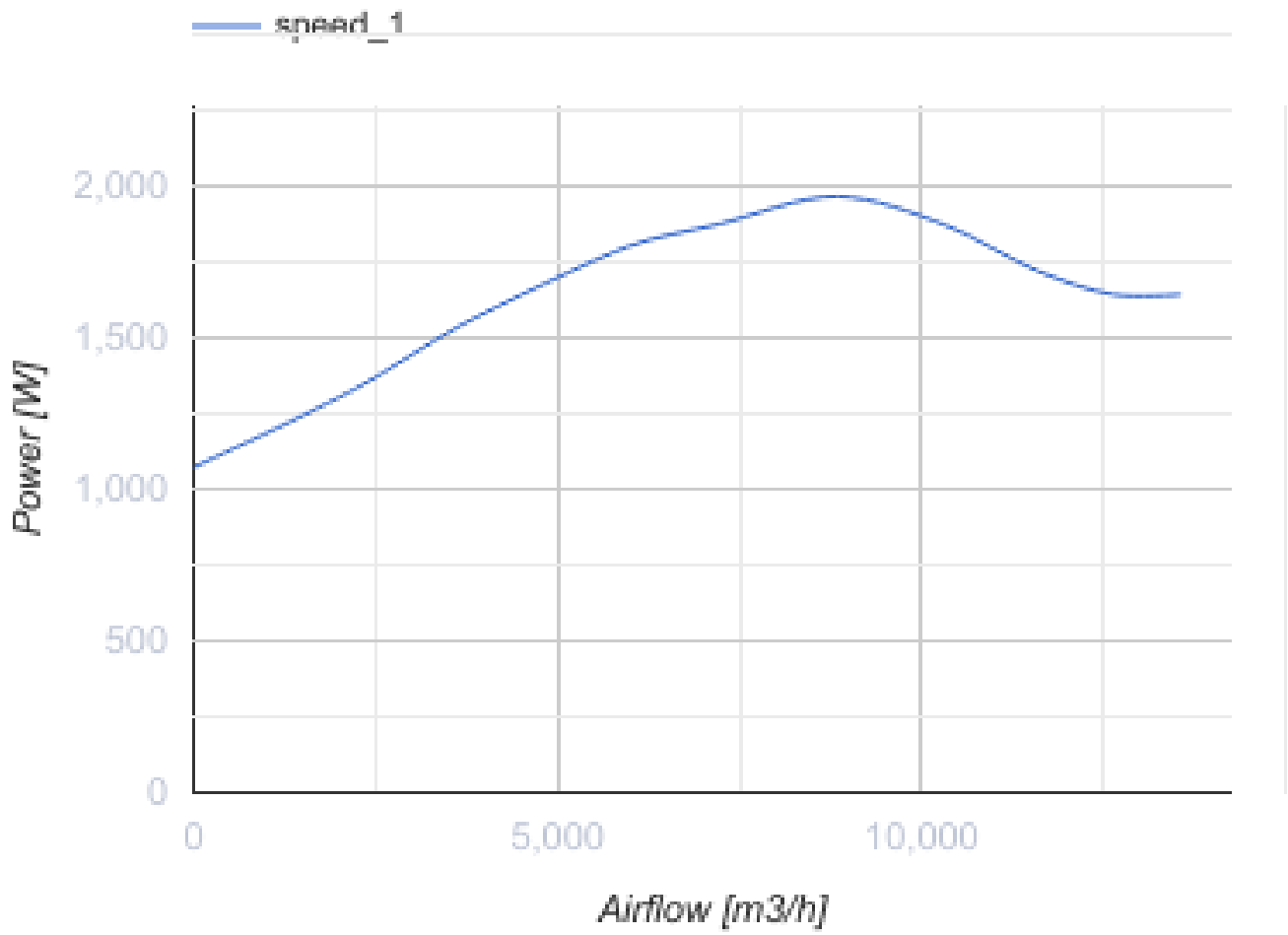
Roof centrifugal fans with horizontal air discharge



- Maximum airflow: 13560
- Sound pressure level LpA at 3 m: 66
- Motor type: AC
- Impeller type: Centrifugal backward curved blades
- Casing material: Coated steel

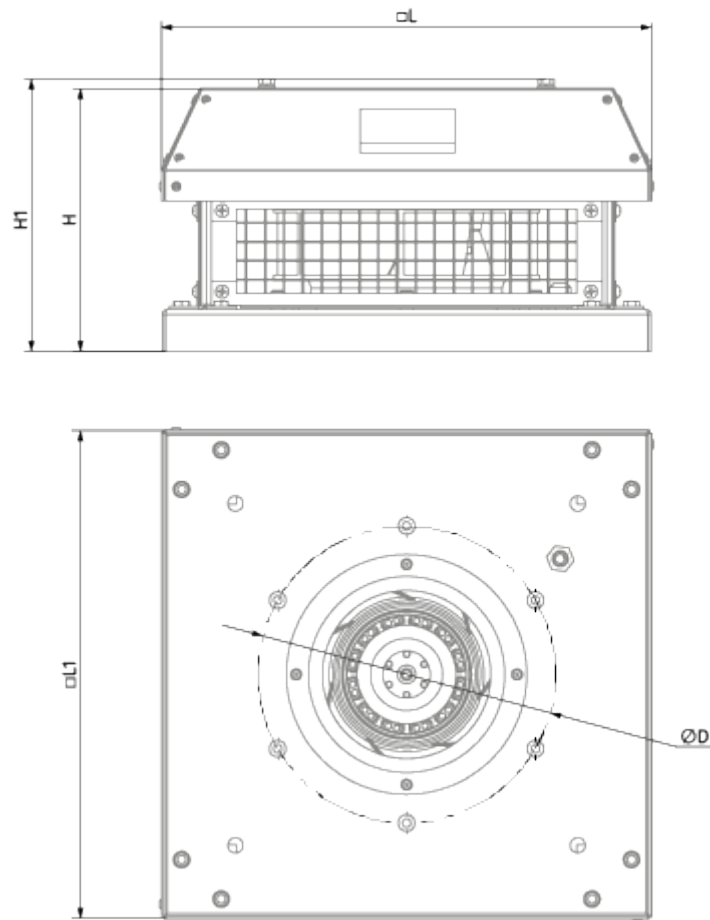
	Unit of measurement	Tower-H 560 4D
Speed	-	1
Minimum supply voltage	V	400
Maximum supply voltage	V	400
Power supply frequency	Hz	50
Rated power	W	1970
Unit current	A	3.36
Maximum airflow	m <sup>3</sup> /h	13560
Sound pressure level LpA at 3 m	dB(A)	66
Weight	kg	81.4
Transported air temperature (max)	°C	50
Transported air temperature (min)	°C	-25
Ingress protection rating	-	IPX4
Ingress protection rating of the drive	-	IP54






### Dimensions

ØD	H	H1	L	L1
605	489	528	900	895



## Accessories

### Other accessories

Name	Photo	Description
<a href="#">CDT E1.8</a>		Thyristor speed controller