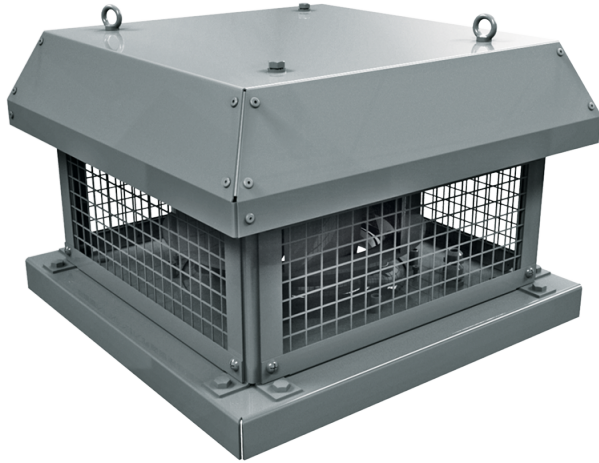


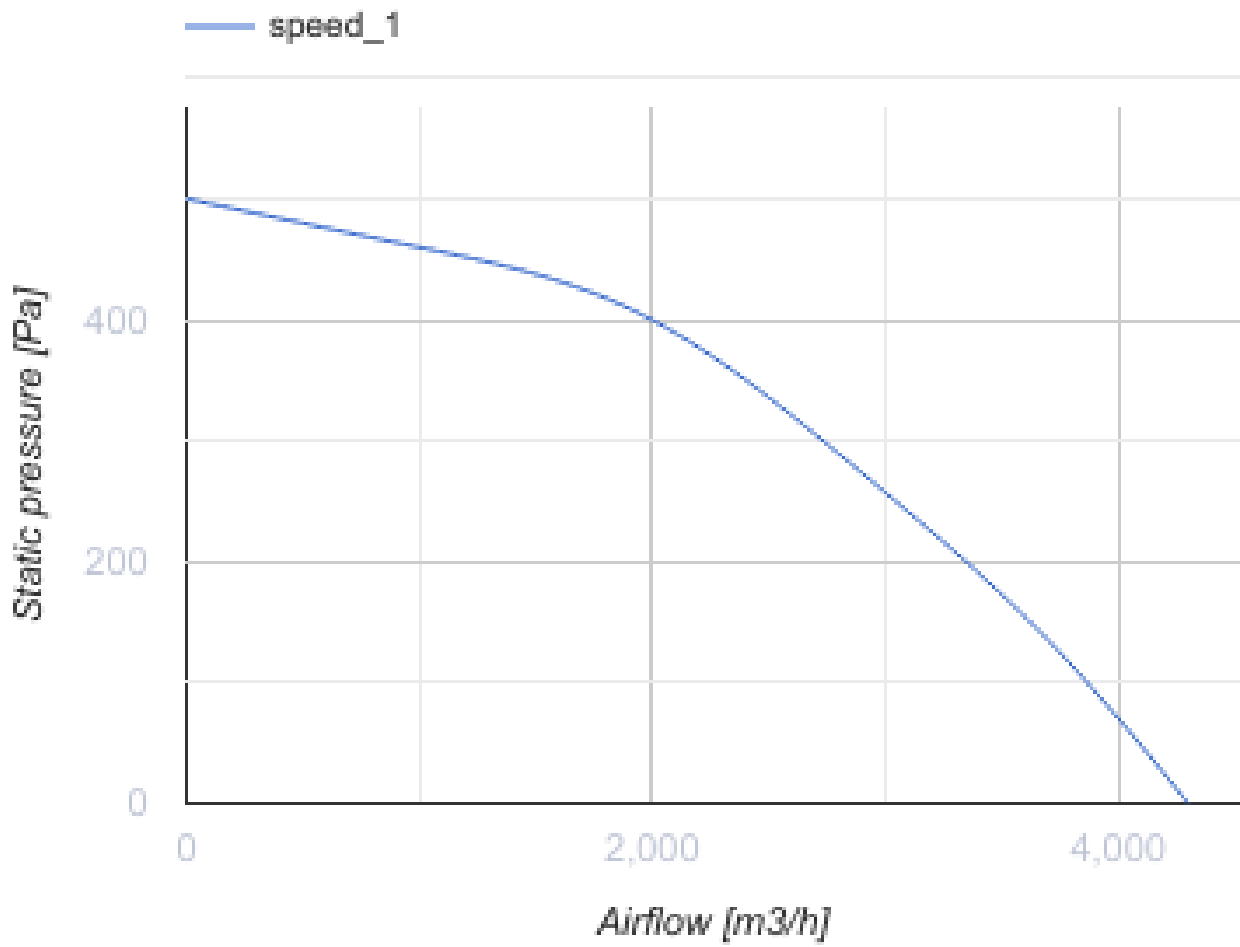
# Tower-H 450 4E

Roof centrifugal fans



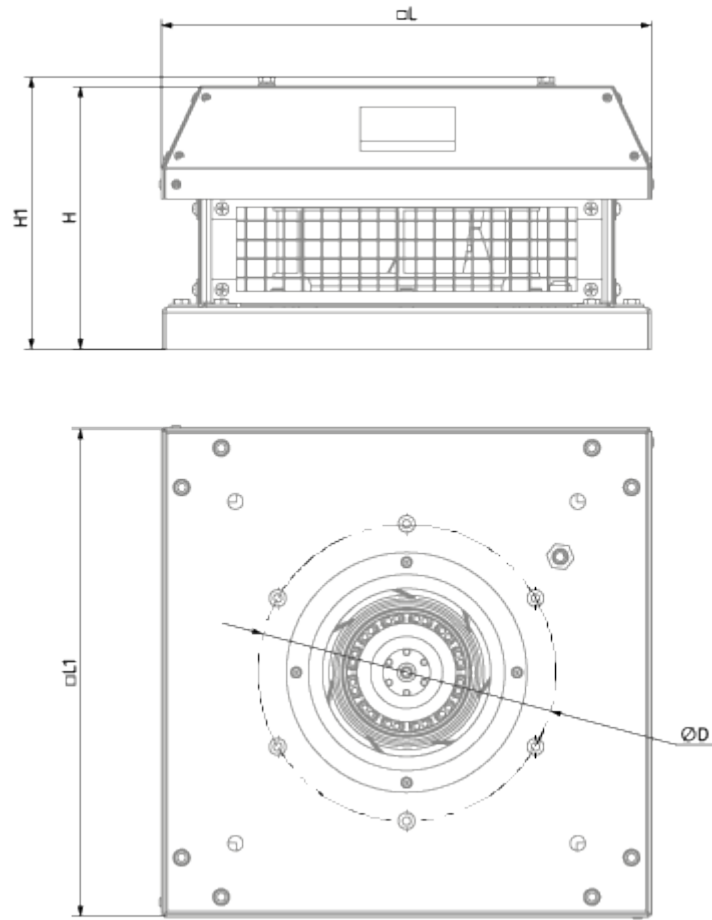
- Maximum airflow: 6180
- Sound pressure level LpA at 3 m: 58
- Motor type: AC
- Impeller type: Centrifugal backward curved blades
- Casing material: Coated steel

	Unit of measurement	Tower-H 450 4E
Speed	-	1
Minimum supply voltage	V	230
Maximum supply voltage	V	230
Power supply frequency	Hz	50
Rated power	W	749
Unit current	A	3.35
Maximum airflow	m <sup>3</sup> /h	6180
Sound pressure level LpA at 3 m	dB(A)	58
Weight	kg	46.6
Transported air temperature (max)	°C	60
Transported air temperature (min)	°C	-30
Ingress protection rating	-	IPX4
Ingress protection rating of the drive	-	IP54



## Dimensions

ØD	H	H1	L	L1
438	420	459	710	700




## Ecodesign

Trademark	Blauberg
Model	Tower-H 450 4E
Type of ventilation unit	Unidirectional
Type of drive installed	External MSD or VSD
Type of heat recovery system	None
Nominal flow rate (m <sup>3</sup> /s)	0.725
Nominal external pressure (Pa)	295
Maximum external leakage rates (%)	2.7
Static efficiency (%)	36.1
Declared typology	NRVU UVU
Sound power level (dB(A))	73
Effective electric power input (kW)	0.605

## Accessories

### Thyristor speed controllers

Name	Photo	Description
<a href="#">CDT E1.8</a>		Thyristor speed controller