

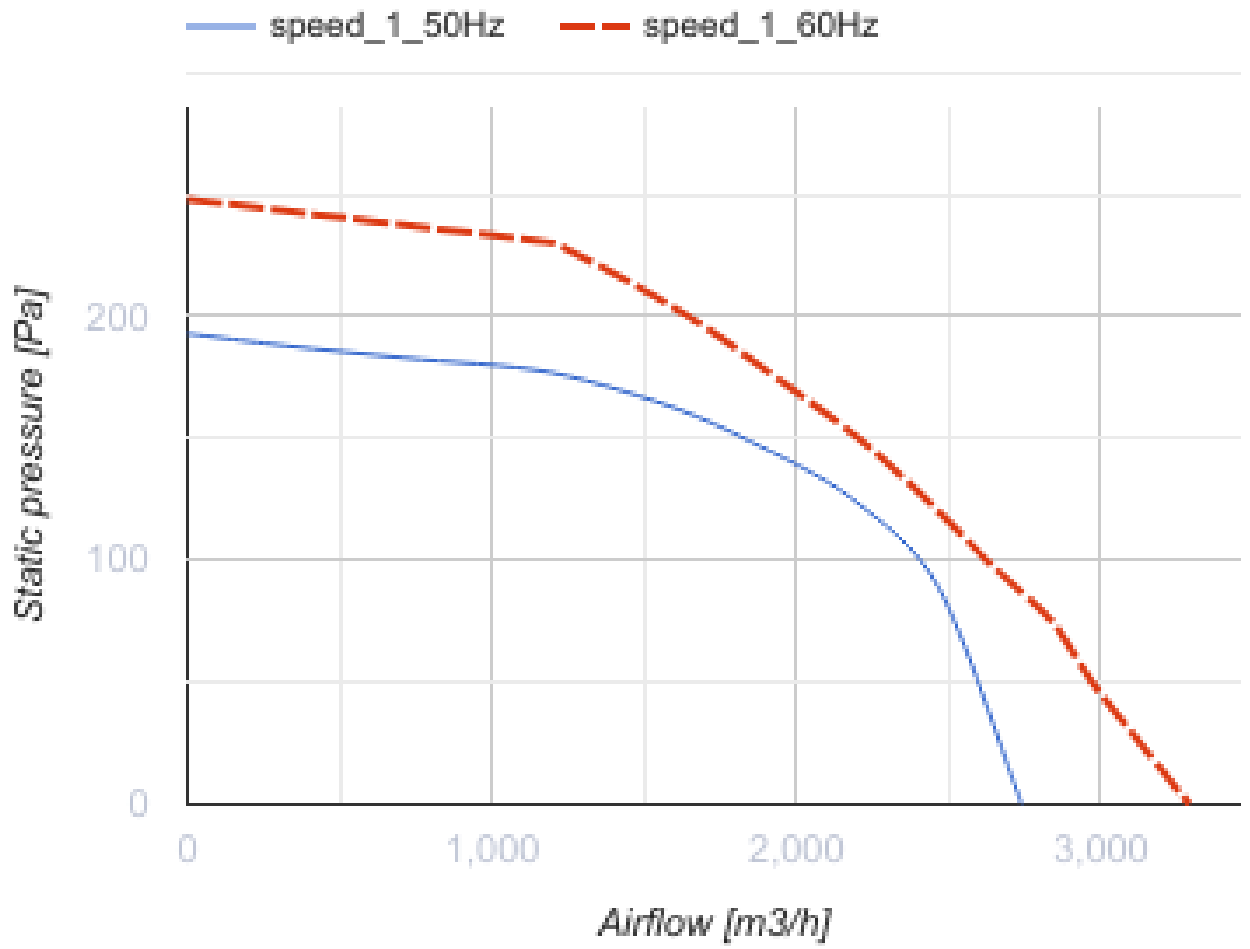
# Tower-H 400 6E

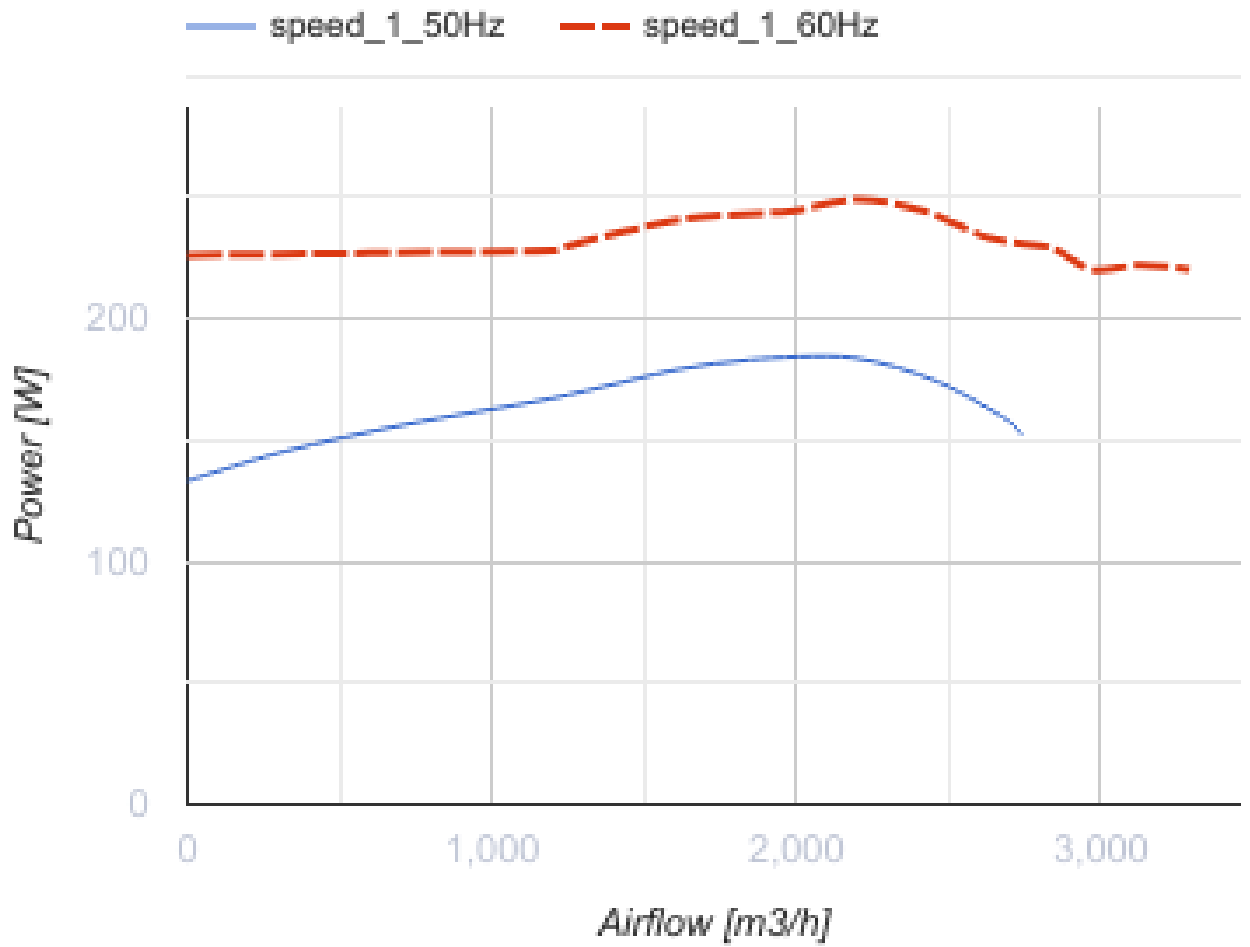
Roof centrifugal fans with horizontal air discharge



- Maximum airflow: 2740
- Sound pressure level LpA at 3 m: 47
- Motor type: AC
- Impeller type: Centrifugal backward curved blades
- Casing material: Coated steel

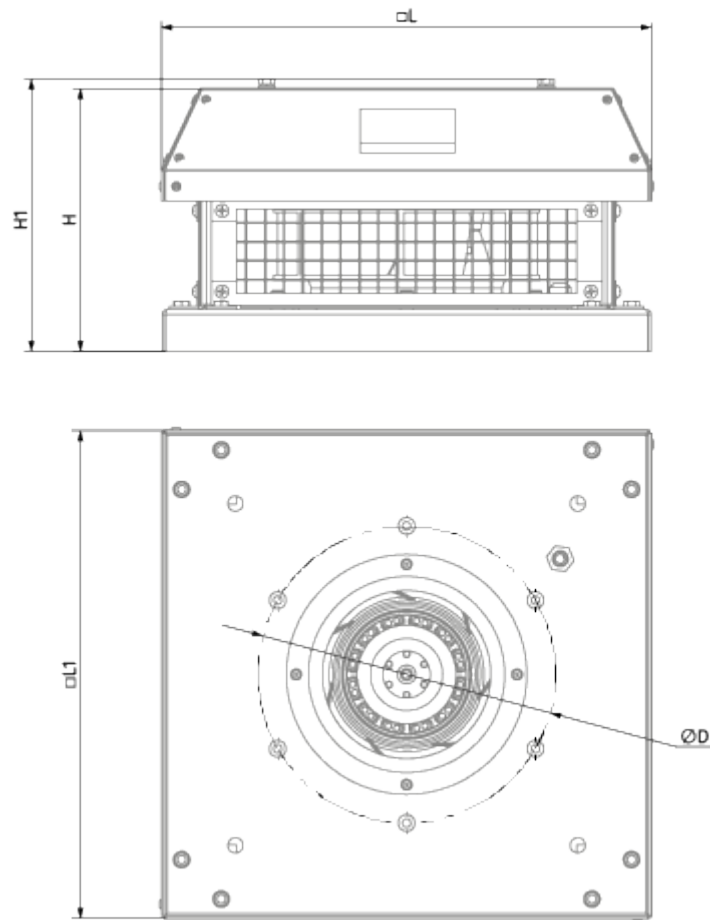
	Unit of measurement	Tower-H 400 6E
Speed	-	1
Minimum supply voltage	V	230
Maximum supply voltage	V	230
Power supply frequency	Hz	50/60
Rated power	W	184
Unit current	A	0.89
Maximum airflow	m <sup>3</sup> /h	2740
Sound pressure level LpA at 3 m	dB(A)	47
Weight	kg	32.7
Transported air temperature (max)	°C	60
Transported air temperature (min)	°C	-30
Ingress protection rating	-	IPX4
Ingress protection rating of the drive	-	IP54






### Dimensions

ØD	H	H1	L	L1
438	376	415	625	620



## Accessories

### Other accessories

Name	Photo	Description
<a href="#">CDT E1.8</a>		Thyristor speed controller