

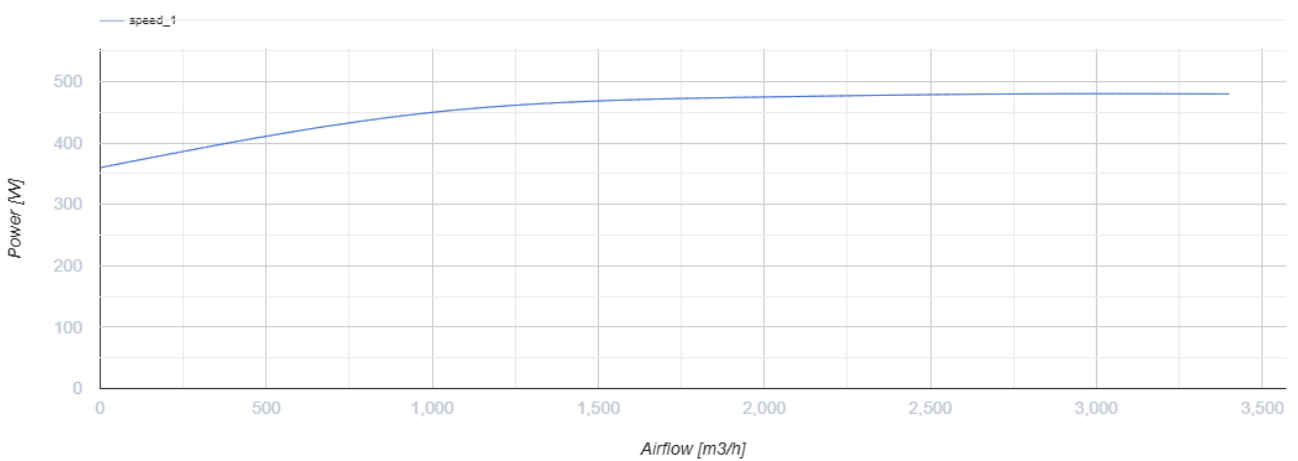
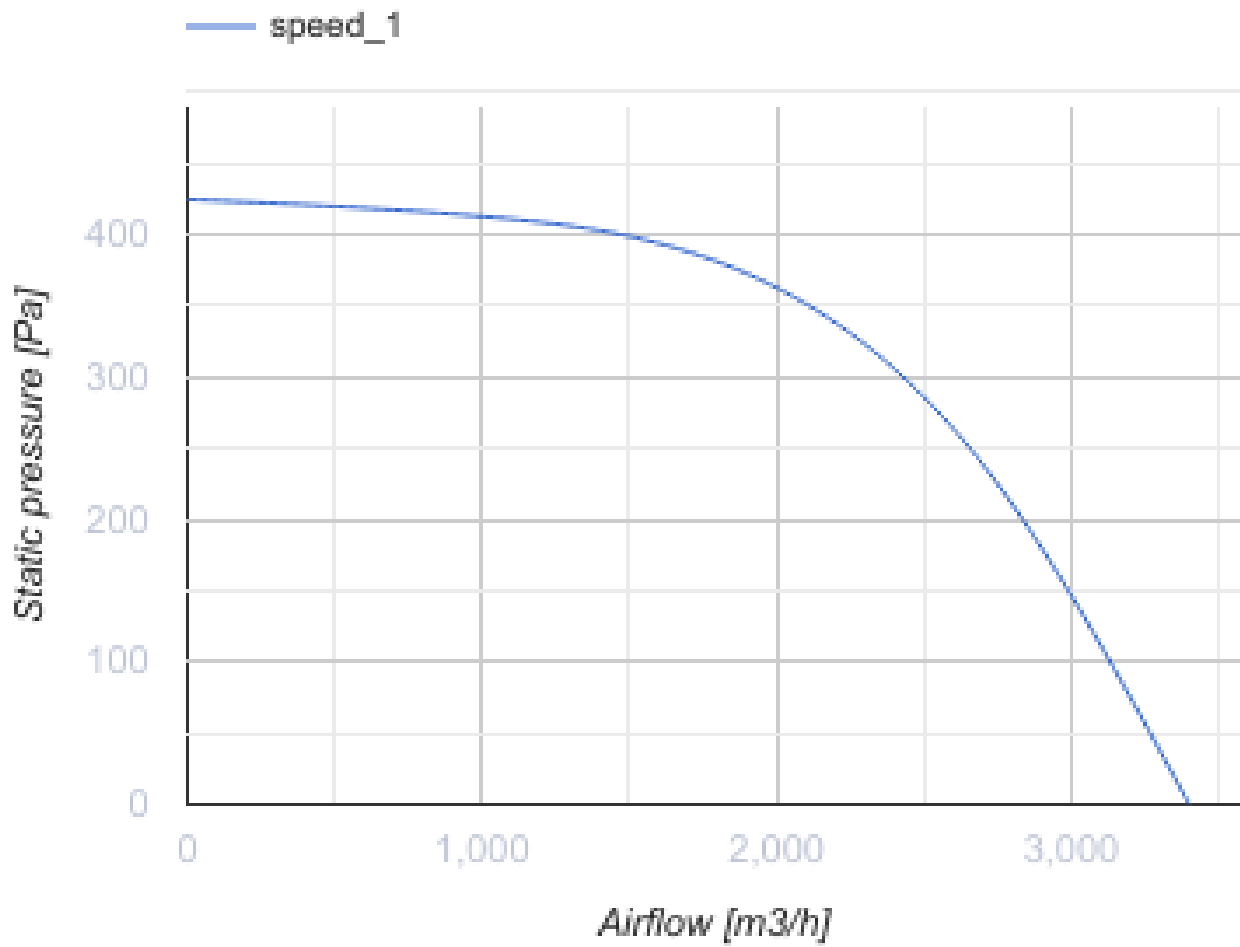
Tower-H 400 4E

Roof centrifugal fans



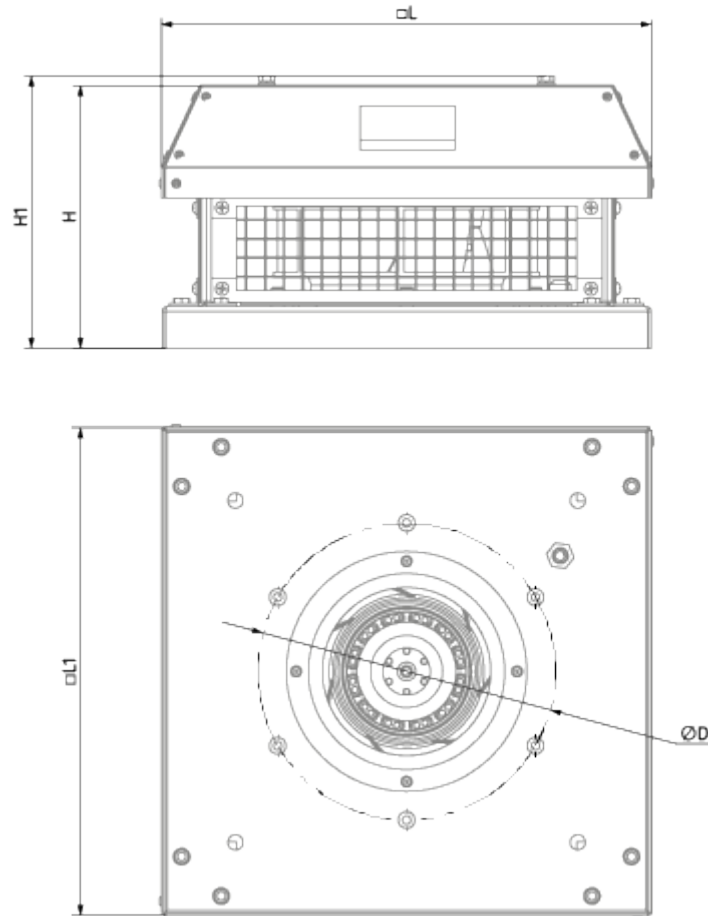
- Maximum airflow: 3950
- Sound pressure level LpA at 3 m: 55
- Motor type: AC
- Impeller type: Centrifugal backward curved blades
- Casing material: Coated steel

	Unit of measurement	Tower-H 400 4E
Speed	-	1
Minimum supply voltage	V	230
Maximum supply voltage	V	230
Power supply frequency	Hz	50
Rated power	W	457
Unit current	A	2
Maximum airflow	m ³ /h	3950
Sound pressure level LpA at 3 m	dB(A)	55
Weight	kg	35
Transported air temperature (max)	°C	60
Transported air temperature (min)	°C	-30
Ingress protection rating	-	IPX4
Ingress protection rating of the drive	-	IP54



Dimensions

ØD	H	H1	L	L1
438	376	415	625	620



Ecodesign

Trademark	Blauberg
Model	Tower-H 400 4E
Type of ventilation unit	Unidirectional
Type of drive installed	External MSD or VSD
Type of heat recovery system	None
Nominal flow rate (m ³ /s)	0.728
Nominal external pressure (Pa)	131
Maximum external leakage rates (%)	2.7
Static efficiency (%)	41.6
Declared typology	NRVU UVU
Sound power level (dB(A))	73
Effective electric power input (kW)	0.234

Accessories

Thyristor speed controllers

Name	Photo	Description
CDT E1.8		Thyristor speed controller