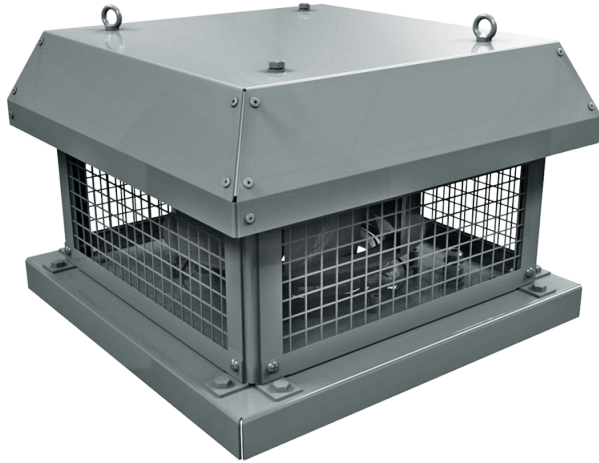


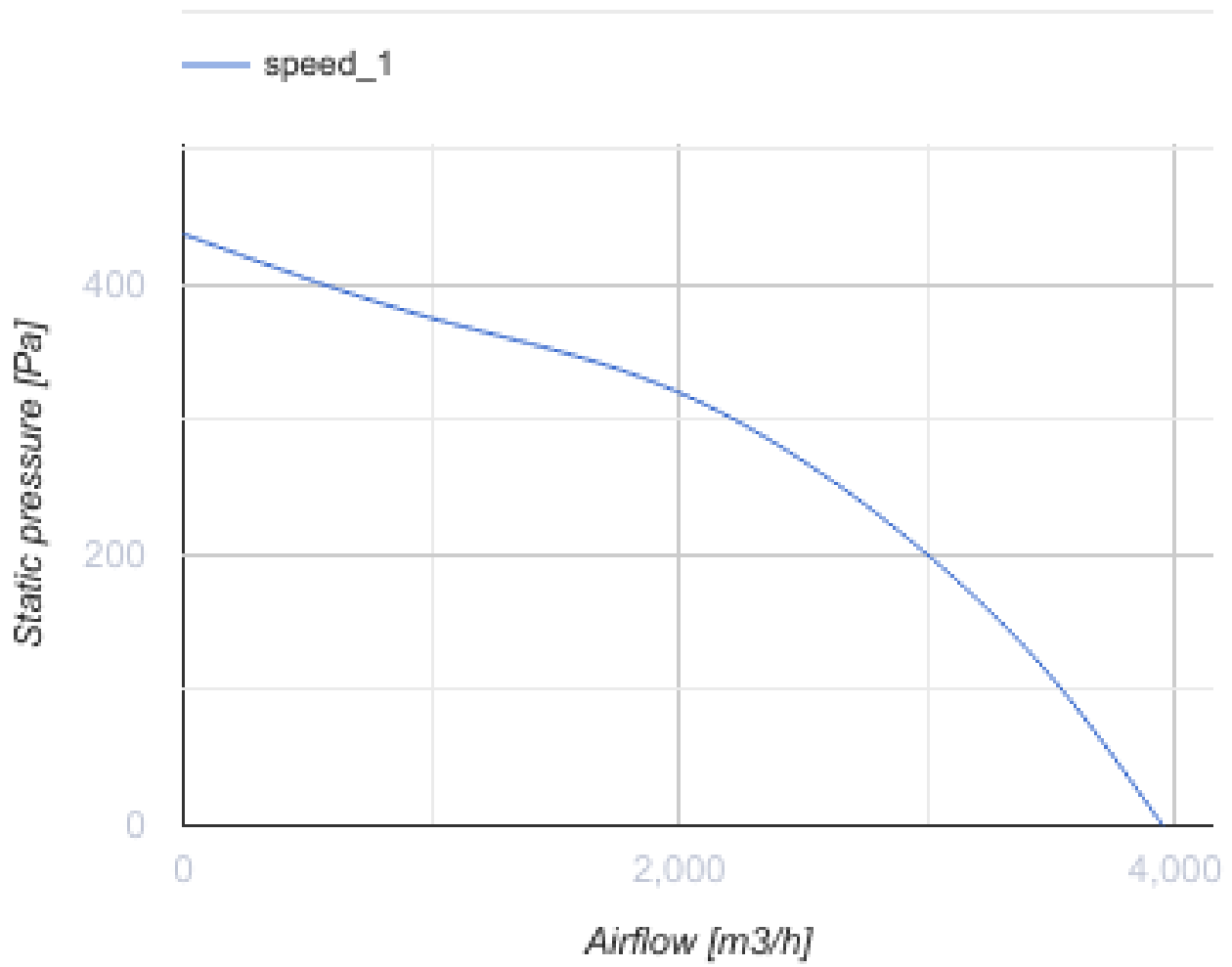
Tower-H 400 4D

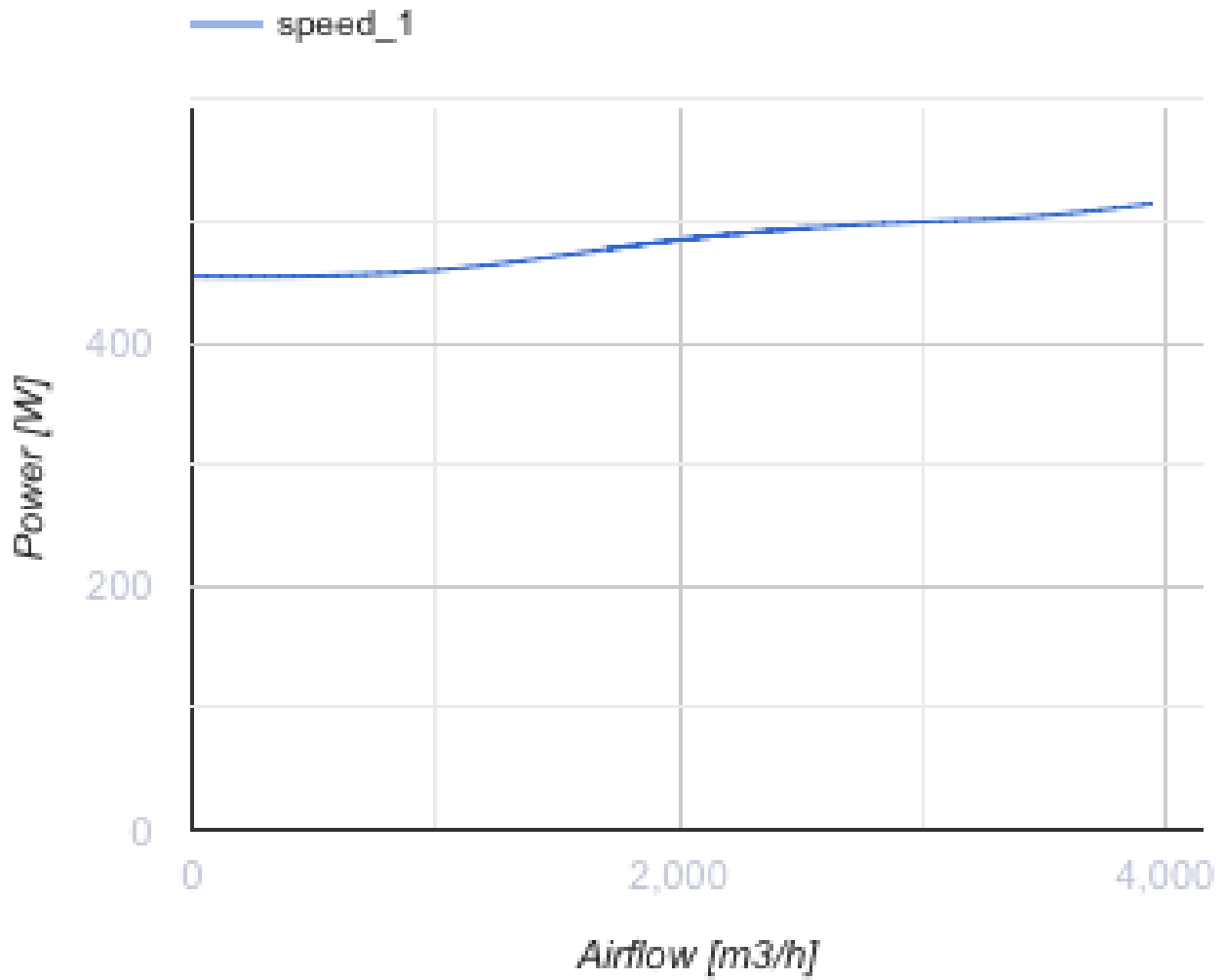
Roof centrifugal fans with horizontal air discharge



- Maximum airflow: 3950
- Sound pressure level LpA at 3 m: 55
- Motor type: AC
- Impeller type: Centrifugal backward curved blades
- Casing material: Coated steel

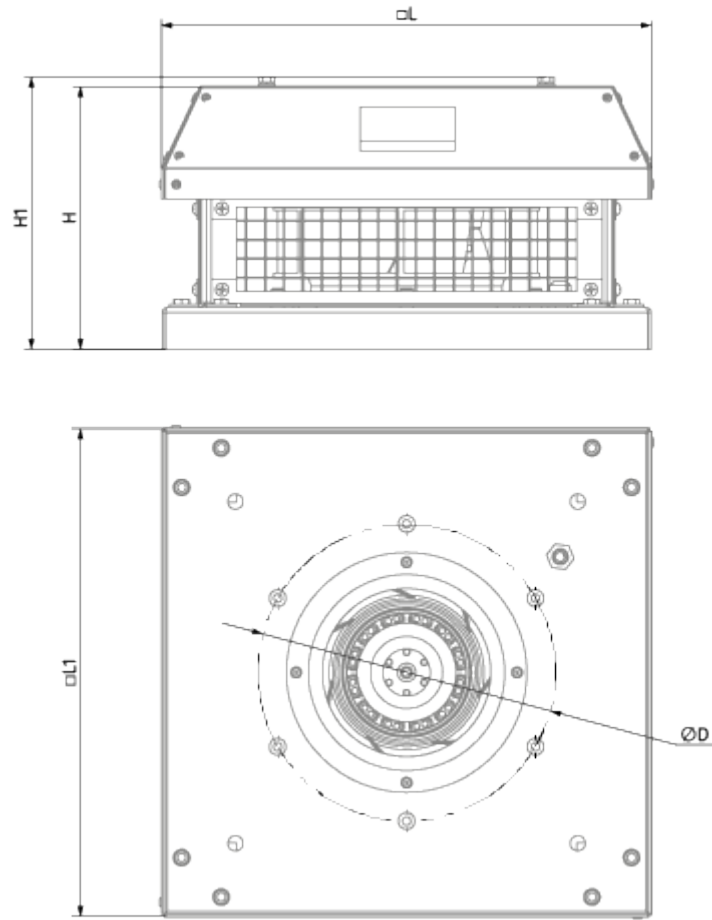
	Unit of measurement	Tower-H 400 4D
Speed	-	1
Minimum supply voltage	V	400
Maximum supply voltage	V	400
Power supply frequency	Hz	50
Rated power	W	420
Unit current	A	0.99
Maximum airflow	m ³ /h	3950
Sound pressure level LpA at 3 m	dB(A)	55
Weight	kg	35
Transported air temperature (max)	°C	60
Transported air temperature (min)	°C	-30
Ingress protection rating	-	IPX4
Ingress protection rating of the drive	-	IP54





Dimensions

ØD	H	H1	L	L1
438	376	415	625	620




Ecodesign

Trademark	Blauberg
Model	Tower-H 400 4D
Type of ventilation unit	Unidirectional
Type of drive installed	External MSD or VSD
Type of heat recovery system	None
Nominal flow rate (m ³ /s)	0.559
Nominal external pressure (Pa)	348
Maximum external leakage rates (%)	2.7
Static efficiency (%)	51.5
Effective electric power input (kW)	0.385
Declared typology	NRVU UVU
Sound power level (dB(A))	72

Accessories

Other accessories

Name	Photo	Description
CDT E1.8		Thyristor speed controller