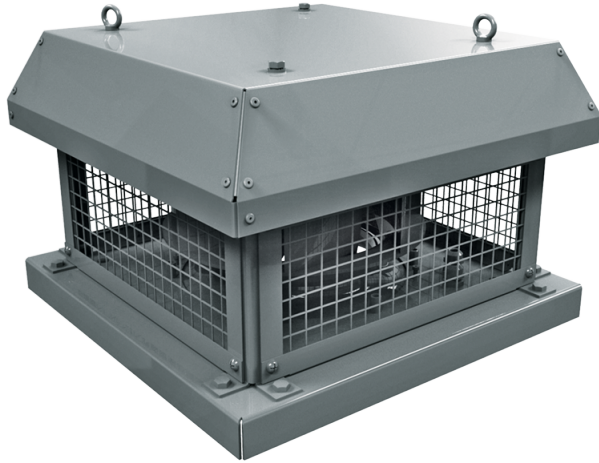


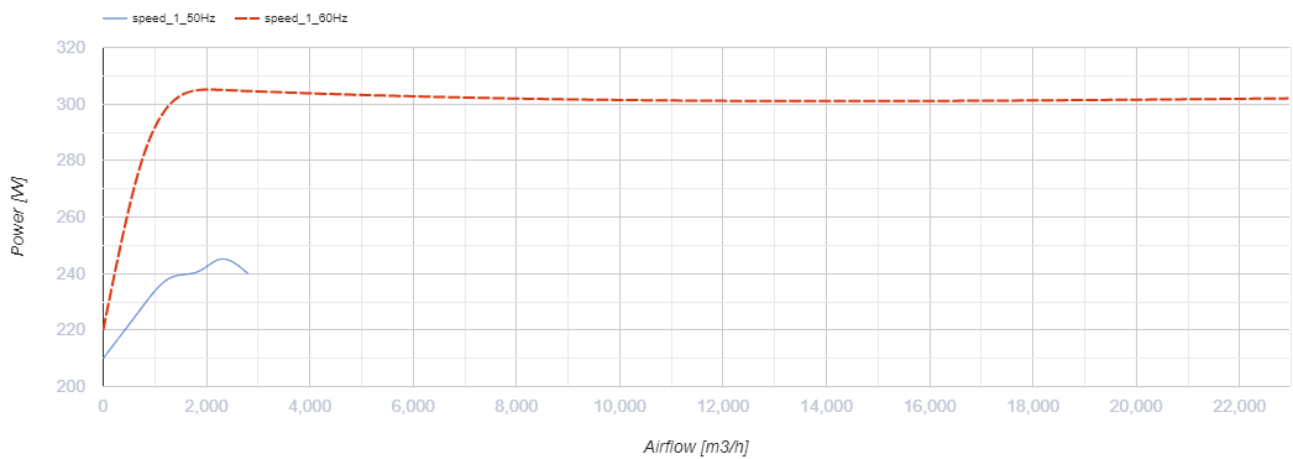
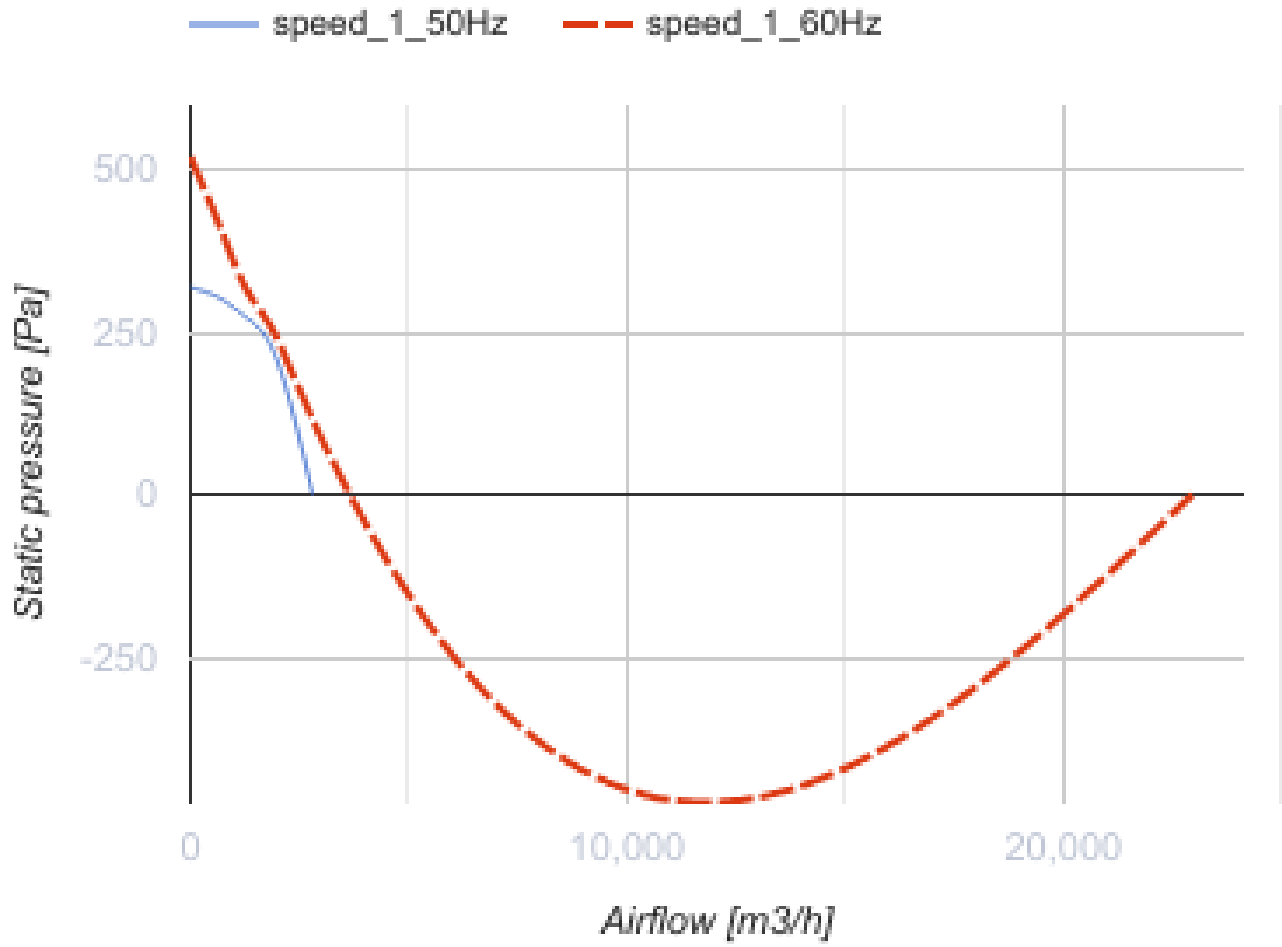
Tower-H 355 4E

Roof centrifugal fans

- Maximum airflow: 2480
- Sound pressure level LpA at 3 m: 51
- Motor type: AC
- Impeller type: Centrifugal backward curved blades
- Casing material: Coated steel

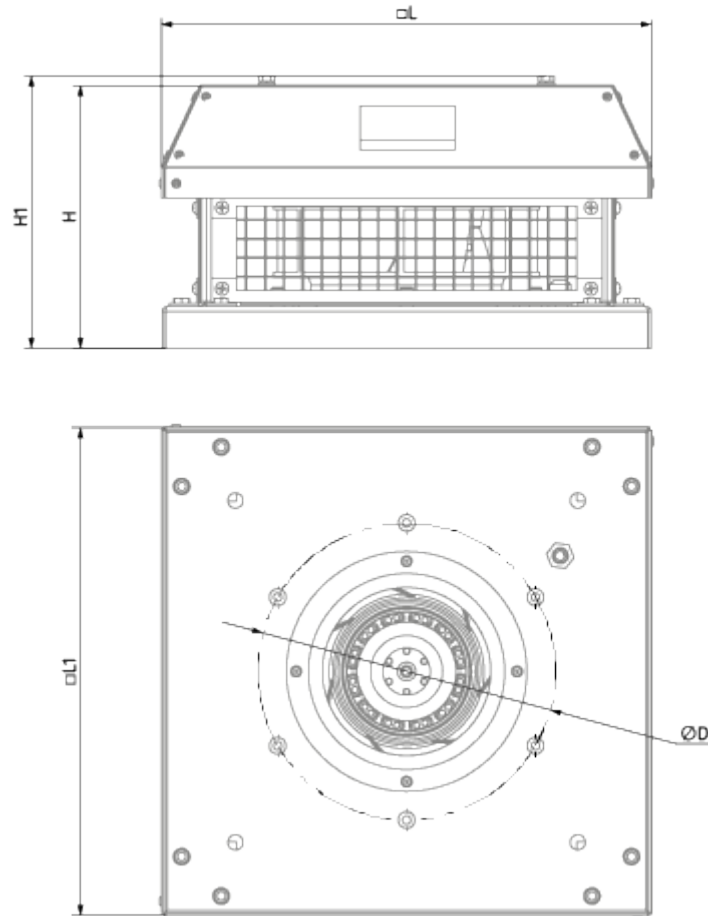


	Unit of measurement	Tower-H 355 4E
Speed	-	1
Minimum supply voltage	V	230
Maximum supply voltage	V	230
Power supply frequency	Hz	50/60
Rated power	W	219
Unit current	A	0.96
Maximum airflow	m ³ /h	2480
Sound pressure level LpA at 3 m	dB(A)	51
Weight	kg	28.3
Transported air temperature (max)	°C	50
Transported air temperature (min)	°C	-25
Ingress protection rating	-	IPX4
Ingress protection rating of the drive	-	IP54



Dimensions

ØD	H	H1	L	L1
438	322	361	625	620



Ecodesign

Trademark	Blauberg
Model	Tower-H 355 4E
Type of ventilation unit	Unidirectional
Type of drive installed	External MSD or VSD
Type of heat recovery system	None
Nominal flow rate (m ³ /s)	0.382
Nominal external pressure (Pa)	264
Maximum external leakage rates (%)	2.7
Static efficiency (%)	46
Declared typology	NRVU UVU
Sound power level (dB(A))	66
Effective electric power input (kW)	0.224

Accessories

Thyristor speed controllers

Name	Photo	Description
CDT E1.8		Thyristor speed controller