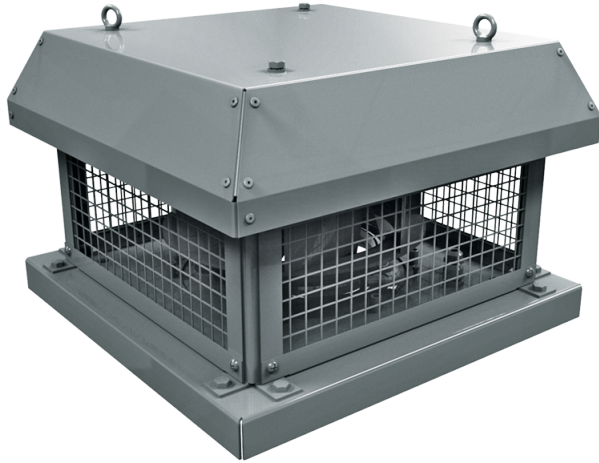


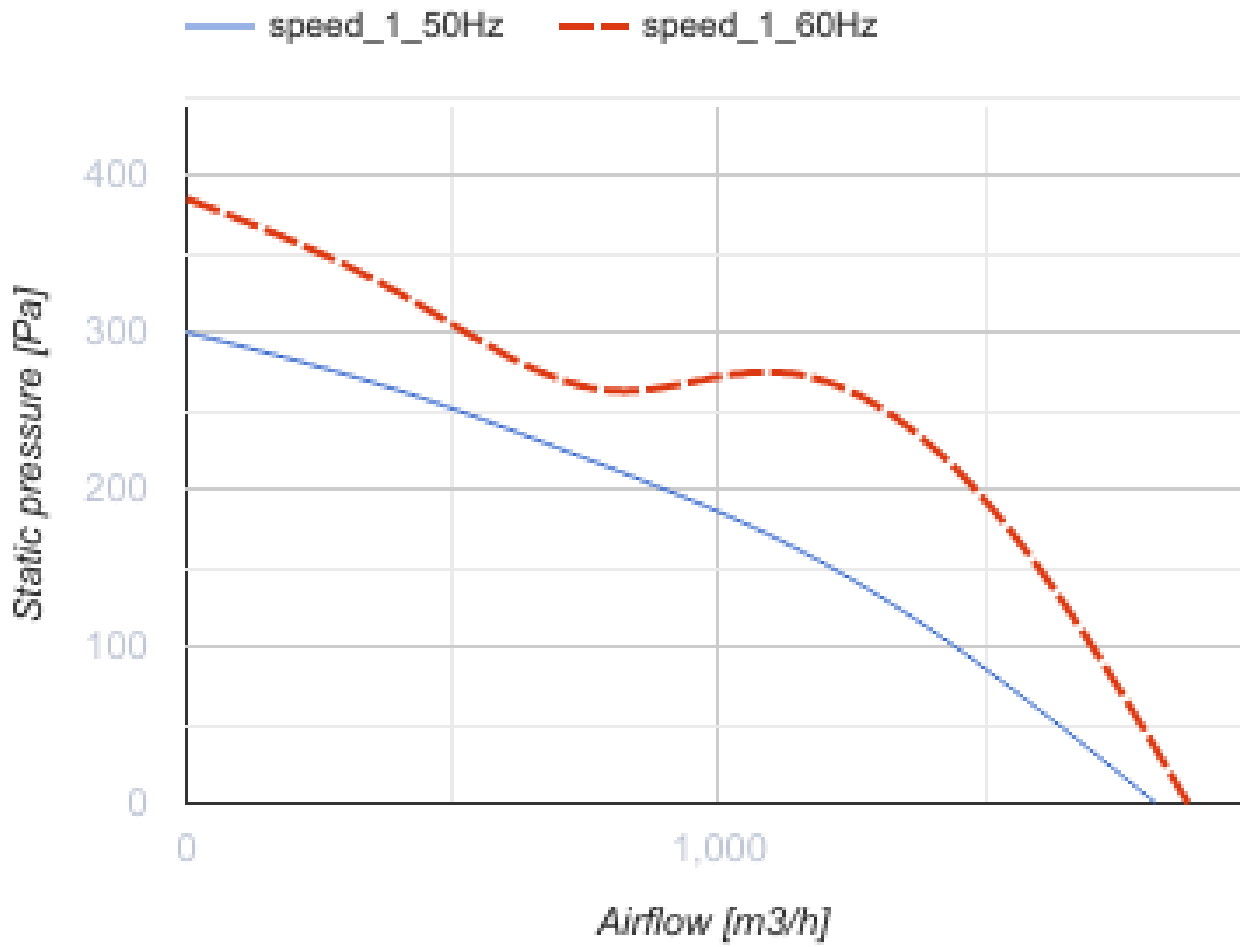
Tower-H 310 4E

Roof centrifugal fans with horizontal air discharge



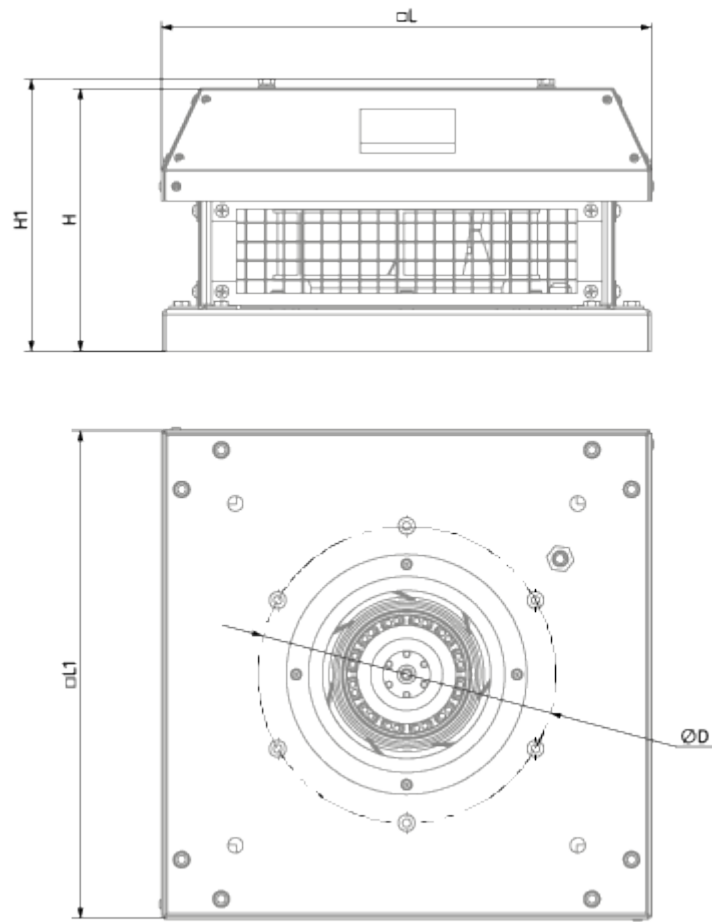
- Maximum airflow: 2265
- Sound pressure level LpA at 3 m: 47
- Motor type: AC
- Impeller type: Centrifugal backward curved blades
- Casing material: Coated steel

	Unit of measurement	Tower-H 310 4E
Speed	-	1
Minimum supply voltage	V	230
Maximum supply voltage	V	230
Power supply frequency	Hz	50/60
Rated power	W	141
Unit current	A	0.64
Maximum airflow	m ³ /h	2265
Sound pressure level LpA at 3 m	dB(A)	47
Weight	kg	14.2
Transported air temperature (max)	°C	50
Transported air temperature (min)	°C	-25
Ingress protection rating	-	IPX4
Ingress protection rating of the drive	-	IP54



Dimensions

ØD	H	H1	L	L1
285	287	294	451	450




Ecodesign

Trademark	Blauberg
Model	Tower-H 310 4E
Type of ventilation unit	Unidirectional
Type of drive installed	External MSD or VSD
Type of heat recovery system	None
Nominal flow rate (m ³ /s)	0.293
Nominal external pressure (Pa)	175
Maximum external leakage rates (%)	2.7
Static efficiency (%)	40.6
Declared typology	NRVU UVU
Sound power level (dB(A))	65
Effective electric power input (kW)	0.129

Accessories

Other accessories

Name	Photo	Description
CDT E1.8		Thyristor speed controller